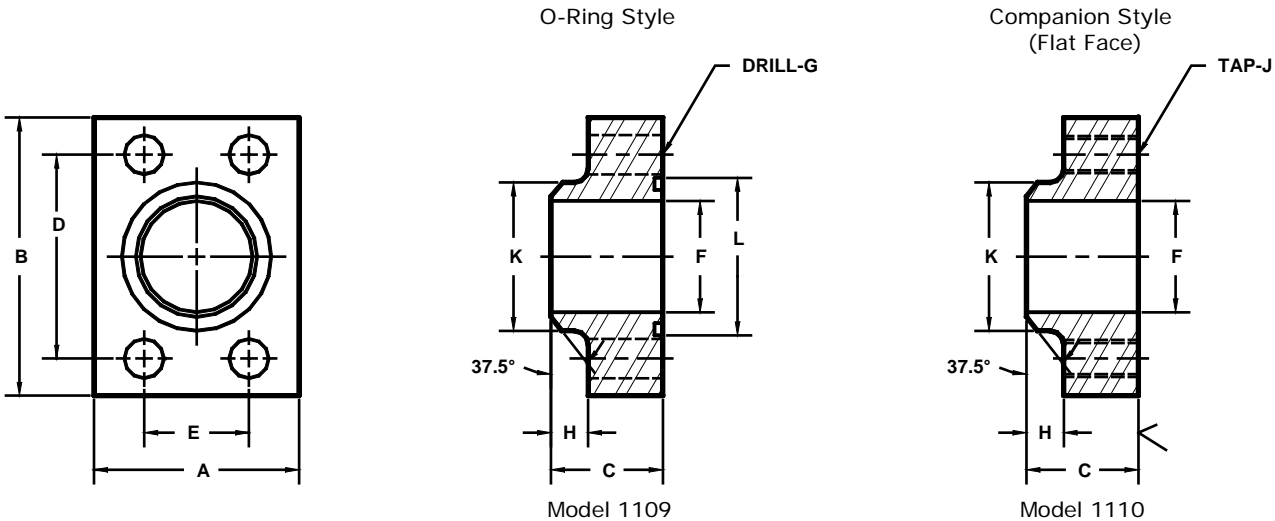


Developers and Manufacturers of
Hydraulic Flanges & Components

SCHEDULE 80 BUTT WELD IN-LINE PIPE FLANGES

SAE BOLT PATTERN

61 SERIES



FLANGE SIZE	PIPE SIZE	PART NUMBER	A	B	C	D	E	F	G	H	J	K	L	MOUNTING KIT ^①		
														PART NO.	BOLT SIZE	O-RING
1/2	1/2	1109-08-08	1.50	2.12	1.25	1.500	.688	.53	.34	.38	-----	.88	1.000	MK 512	5/16-18 X 1 1/2	210
		1110-08-08							---				5/16-18	---		
1/2	3/4	-----	1.75	2.12	1.75	1.500	.688	.53	---	.38	-----	1.12	---	-----	-----	---
		1110-08-12							---				5/16-18	---		
3/4	1/2	1109-12-08	1.75	2.62	1.25	1.875	.875	.53	.41	.38	-----	.88	1.250	MK 1525	3/8-16 X 1 1/2	214
		1110-12-08							---				3/8-16	---		
3/4	3/4	1109-12-12	1.75	2.62	1.25	1.875	.875	.75	.41	.38	-----	1.12	1.250	MK 1525	3/8-16 X 1 1/2	214
		1110-12-12							---				3/8-16	---		
3/4	1	-----	2.00	2.62	2.00	1.875	.875	.75	---	.38	3/8-16	1.38	---	-----	-----	---
		1110-12-16							---				3/8-16	---		
1	3/4	1109-16-12	2.00	2.82	1.25	2.062	1.031	.75	.41	.38	-----	1.12	1.562	MK 1542	3/8-16 X 1 1/2	219
		1110-16-12							---				3/8-16	---		
1	1	1109-16-16	2.00	2.82	1.25	2.062	1.031	.94	.41	.38	-----	1.38	1.562	MK 1542	3/8-16 X 1 1/2	219
		1110-16-16							---				3/8-16	---		
1	1 1/4	-----	2.50	2.82	2.00	2.062	1.031	1.00	---	.38	3/8-16	1.75	---	-----	-----	---
		1110-16-20							---				3/8-16	---		
1 1/4	1	1109-20-16	2.50	3.19	1.25	2.312	1.188	.94	.47	.38	-----	1.38	1.750	MK 1527	7/16-14 X 1 1/2	222
		1110-20-16							---				7/16-14	---		
1 1/4	1 1/4	1109-20-20	2.50	3.19	1.25	2.312	1.188	1.25	.47	.38	-----	1.75	1.750	MK 1527	7/16-14 X 1 1/2	222
		1110-20-20							---				7/16-14	---		
1 1/4	1 1/2	-----	2.50	3.19	1.50	2.312	1.188	1.25	---	.50	-----	2.00	---	-----	-----	---
		1110-20-24							---				7/16-14	---		
1 1/2	1 1/4	1109-24-20	2.75	3.75	1.50	2.750	1.406	1.25	.53	.50	-----	1.75	2.125	MK 1547	1/2-13 X 1 3/4	225
		1110-24-20							---				1/2-13	---		
1 1/2	1 1/2	1109-24-24	2.75	3.75	1.50	2.750	1.406	1.50	.53	.50	-----	2.00	2.125	MK 1547	1/2-13 X 1 3/4	225
		1110-24-24							---				1/2-13	---		
1 1/2	2	-----	3.50	3.75	2.25	2.750	1.406	1.50	---	.50	1/2-13	2.50	---	-----	-----	---
		1110-24-32							---				1/2-13	---		

① Order Separately

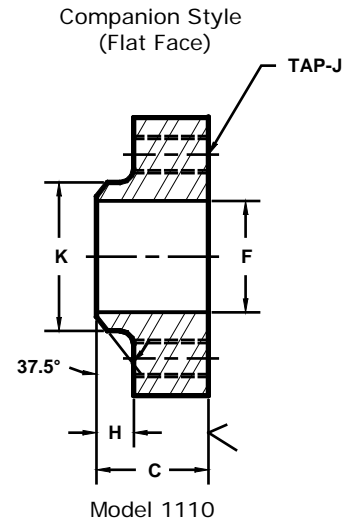
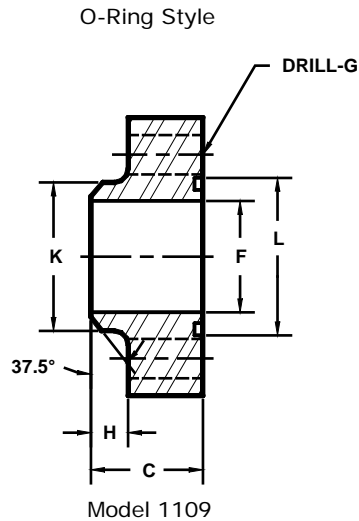
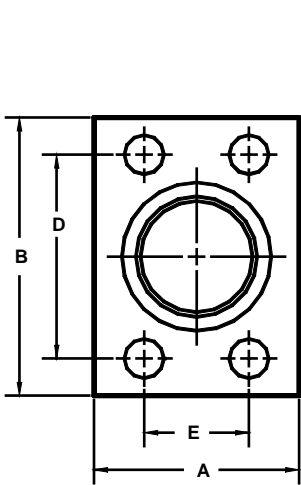
MATERIAL : STEEL
1/07

Developers and Manufacturers of Hydraulic Flanges & Components

SCHEDULE 80 BUTT WELD IN-LINE PIPE FLANGES

SAE BOLT PATTERN

61 SERIES



FLANGE SIZE	PIPE SIZE	PART NUMBER	A	B	C	D	E	F	G	H	J	K	L	MOUNTING KIT ^①		
														PART NO.	BOLT SIZE	O-RING
2	1 1/4	1109-32-20	3.25	4.00	1.50	3.062	1.688	1.25	.53	.50	-----	1.75	2.500	MK 582	1/2-13 X 1 3/4	228
		1110-32-20							---				1/2-13	---	---	---
2	1 1/2	1109-32-24	3.25	4.00	1.50	3.062	1.688	1.50	.53	.50	-----	2.00	2.500	MK 582	1/2-13 X 1 3/4	228
		1110-32-24							---				1/2-13	---	---	---
2	2	1109-32-32	3.25	4.00	1.50	3.062	1.688	1.94	.53	.50	-----	2.50	2.500	MK 582	1/2-13 X 1 3/4	228
		1110-32-32							---				1/2-13	---	---	---
2 1/2 ^②	1 1/2	1109-40-24	4.00	4.50	1.75	3.500	2.000	1.50	.53	.50	-----	2.00	3.000	MK 561	1/2-13 X 2	232
		1110-40-24							---				1/2-13	---	---	---
2 1/2 ^②	2	1109-40-32	4.00	4.50	1.75	3.500	2.000	1.94	.53	.50	-----	2.50	3.000	MK 561	1/2-13 X 2	232
		1110-40-32							---				1/2-13	---	---	---
2 1/2 ^②	2 1/2	1109-40-40	4.00	4.50	1.75	3.500	2.000	2.32	.53	.50	-----	3.00	3.000	MK 561	1/2-13 X 2	232
		1110-40-40							---				1/2-13	---	---	---
3 ^③	2	1109-48-32	4.50	5.31	2.00	4.188	2.438	1.94	.66	.50	-----	2.50	3.625	MK 585	5/8-11 X 2 1/2	237
		1110-48-32							---				5/8-11	---	---	---
3 ^③	2 1/2	1109-48-40	4.50	5.31	2.00	4.188	2.438	2.32	.66	.50	-----	3.00	3.625	MK 585	5/8-11 X 2 1/2	237
		1110-48-40							---				5/8-11	---	---	---
3 ^③	3	1109-48-48	4.50	5.31	2.00	4.188	2.438	2.90	.66	.50	-----	3.50	3.625	MK 585	5/8-11 X 2 1/2	237
		1110-48-48							---				5/8-11	---	---	---
3 1/2 ^④	2 1/2	1109-56-40	5.00	6.00	1.50	4.750	2.750	2.32	.66	.50	-----	3.00	4.109	MK 1571	5/8-11 X 2	241
		1110-56-40							---				5/8-11	---	---	---
3 1/2 ^④	3	1109-56-48	5.00	6.00	1.50	4.750	2.750	2.90	.66	.50	-----	3.50	4.109	MK 1571	5/8-11 X 2	241
		1110-56-48							---				5/8-11	---	---	---
3 1/2 ^④	3 1/2	1109-56-56	5.00	6.00	1.50	4.750	2.750	3.36	.66	.50	-----	4.00	4.109	MK 1571	5/8-11 X 2	241
		1110-56-56							---				5/8-11	---	---	---
4 ^④	3	1109-64-48	5.50	6.38	1.50	5.125	3.062	2.90	.66	.50	-----	3.50	4.609	MK 1572	5/8-11 X 2	245
		1110-64-48							---				5/8-11	---	---	---
4 ^④	4	1109-64-64	5.50	6.38	1.50	5.125	3.062	3.83	.66	.50	-----	4.50	4.609	MK 1572	5/8-11 X 2	245
		1110-64-64							---				5/8-11	---	---	---

① Order Separately ② 2500 PSI Max ③ 2000 PSI Max ④ 500 PSI Max

MATERIAL : STEEL
1/07