

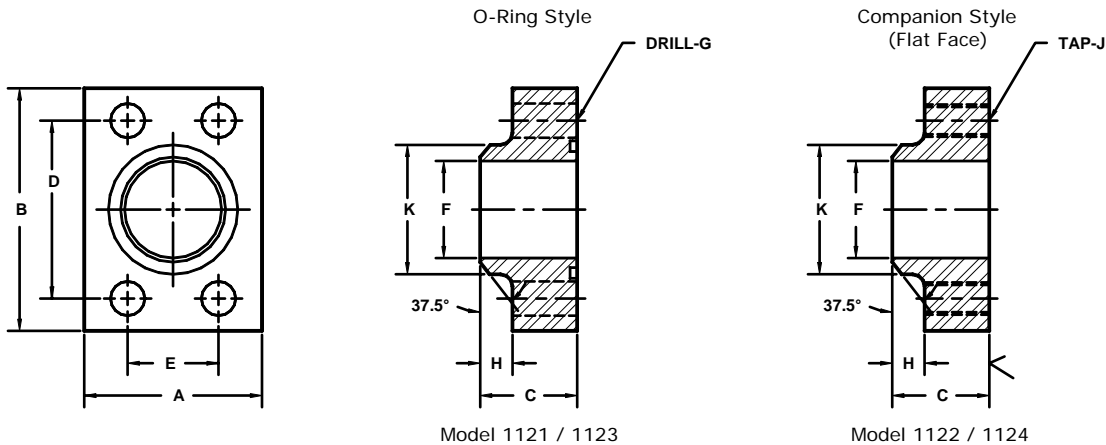
Developers and Manufacturers of Hydraulic Flanges & Components

BUTT WELD IN-LINE FLANGES

For Schedule XXS Pipe

ISO 6162-1 PATTERN / J518 61 SERIES METRIC

FLANGE SIZE	PIPE SIZE	PART NUMBER	A	B	C	D	E	F	G	H	J	K	MOUNTING KIT ^①		
													PART NO.	BOLT SIZE	O-RING
13	1/2	1/2	38.0	54.0	31.5	38.10 (1.500)	17.48 (.688)	6.5	8.5	9.7	----- M8 x 1.25	22.4	MKM 512	M8 x 35	210
													-----	-----	---
19	3/4	3/4	44.5	66.5	31.5	47.63 (1.875)	22.23 (.875)	11.2	10.5	9.7	----- M10 x 1.5	28.4	MKM 1525	M10 x 35	214
													-----	-----	---
25	1	1	51.0	71.5	35.0	52.37 (2.062)	26.19 (1.031)	15.2	10.5	12.7	----- M10 x 1.5	35.1	MKM 1542	M10 x 35	219
													-----	-----	---
32	1 1/4	1 1/4	63.5	81.0	35.0	58.72 (2.312)	30.18 (1.188)	22.6	10.5	12.7	----- M10 x 1.5	44.5	MKM 4520	M10 x 35	222
													-----	-----	---
38	1 1/2	1 1/2	70.0	95.5	38.0	69.85 (2.750)	35.71 (1.406)	28.0	13.0	12.7	----- M12 x 1.75	50.8	MKM 4551	M12 x 40	225
													-----	-----	---
51	2	2	82.5	101.5	44.0	77.77 (3.062)	42.88 (1.688)	38.1	13.0	19.0	----- M12 x 1.75	63.5	MKM 4552	M12 x 45	228
													-----	-----	---
64 ^②	2 1/2	2 1/2	101.5	114.0	50.5	88.90 (3.500)	50.80 (2.000)	45.0	13.0	19.0	----- M12 x 1.75	76.2	MKM 2575	M12 x 50	232
													-----	-----	---
76 ^③	3	3	114.0	135.0	57.0	106.38 (4.188)	61.93 (2.438)	58.4	17.0	19.0	----- M16 x 2	88.9	MKM 585	M16 x 60	237
													-----	-----	---
89 ^④	3 1/2	3 1/2	127.0	152.5	44.0	120.65 (4.750)	69.85 (2.750)	69.3	17.0	19.0	----- M16 x 2	101.5	MKM 1571	M16 x 50	241
													-----	-----	---
102 ^④	4	4	139.5	162.0	44.0	130.18 (5.125)	77.77 (3.062)	80.0	17.0	19.0	----- M16 x 2	114.3	MKM 1572	M16 x 50	245
													-----	-----	---
127 ^④	5	5	177.5	184.0	63.0	152.40 (6.000)	92.08 (3.625)	103.1	17.0	25.4	----- M16 x 2	142.7	MKM 1573	M16 x 60	253
													-----	-----	---



Model 1121 / 1123

Model 1122 / 1124

ISO 6162-2 PATTERN / J518 62 SERIES METRIC

FLANGE SIZE	PIPE SIZE	PART NUMBER	A	B	C	D	E	F	G	H	J	K	MOUNTING KIT ^①		
													PART NO.	BOLT SIZE	O-RING
13	1/2	1/2	44.5	56.5	31.5	40.49 (1.594)	18.24 (.718)	6.5	8.5	9.7	----- M8 x 1.25	22.4	MKM 512	M8 x 35	210
													-----	-----	---
19	3/4	3/4	51.0	71.5	31.5	50.80 (2.000)	23.80 (.937)	11.2	10.5	9.7	----- M10 x 1.5	28.4	MKM 1525	M10 x 35	214
													-----	-----	---
25	1	1	57.0	81.0	38.0	57.15 (2.250)	27.76 (1.093)	15.2	12.5	12.7	----- M12 x 1.75	35.1	MKM 1504	M12 x 50	219
													-----	-----	---
32	1 1/4	1 1/4	70.0	95.5	38.0	66.68 (2.625)	31.75 (1.250)	22.6	13.0	12.7	----- M12 x 1.75	44.5	MKM 1502	M12 x 50	222
													-----	-----	---
38	1 1/2	1 1/2	82.5	114.5	38.0	79.38 (3.125)	36.50 (1.437)	28.0	17.0	12.7	----- M16 x 2	50.8	MKM 562	M16 x 45	225
													-----	-----	---
51	2	2	101.5	133.5	50.5	96.82 (3.812)	44.45 (1.750)	38.1	21.0	19.0	----- M20 x 2.5	63.5	MKM 1548	M20 x 60	228
													-----	-----	---
64 ^⑤	2 1/2	2 1/2	127.0	175.0	63.0	123.82 (4.875)	58.72 (2.312)	45.0	25.5	19.0	----- M24 x 3	76.2	MKM 2507	M24 x 80	232
													-----	-----	---
76 ^⑤	3	3	152.5	216.0	76.0	152.40 (6.000)	71.42 (2.812)	58.4	32.0	22.4	----- M30 x 3.5	88.9	MKM 1576	M30 x 100	237
													-----	-----	---

① Order Separately ② 16 MPa Max ③ 10 MPa Max ④ 2.5 MPa Max ⑤ Not included in ISO 6162 / J518 specifications
 *Also available for M12 bolts. **Also available for M14 bolts.

MATERIAL : STEEL
1/07

NOTE: DIMENSIONS ARE IN MILLIMETERS. INCH EQUIVALENTS IN ().