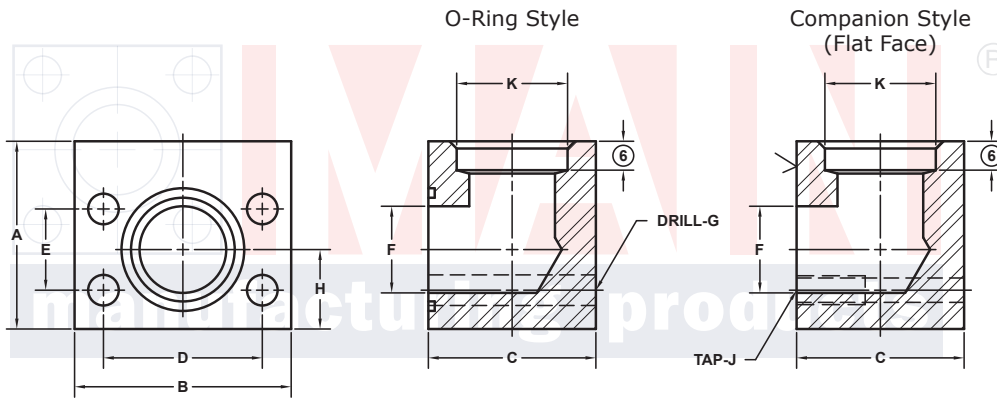


# SOCKET WELD TUBE ELBOW FLANGES

## SAE J518 61 SERIES / ISO6162-1 PATTERN

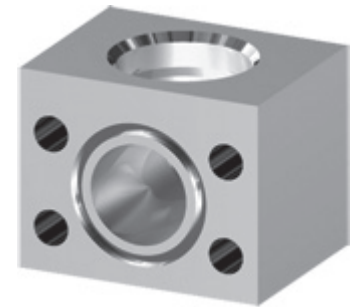
| FLANGE SIZE | TUBE SIZE | PART NUMBER                | A    | B    | C    | D     | E     | F    | Gmm   | H    | K     | MOUNTING KIT <sup>①</sup> |            |        | WT  |
|-------------|-----------|----------------------------|------|------|------|-------|-------|------|-------|------|-------|---------------------------|------------|--------|-----|
|             |           |                            |      |      |      |       |       |      | Jmm   |      |       | PART NO.                  | SCREW SIZE | O-RING |     |
| 1/2         | 1/2       | 1129-08-08M8               | 1.75 | 2.12 | 1.44 | 1.500 | .688  | .50  | 8.5   | .75  | .510  | MKM 541                   | M8 x 50    | 210    | 1.3 |
|             |           | M8x1.25                    |      |      |      |       |       |      | ----- |      |       | ---                       |            |        |     |
| 1/2         | 3/4       | 1129-08-12M8               | 1.75 | 2.12 | 1.44 | 1.500 | .688  | .50  | 8.5   | .75  | .760  | MKM 541                   | M8 x 50    | 210    | 1.2 |
|             |           | M8x1.25                    |      |      |      |       |       |      | ----- |      |       | ---                       |            |        |     |
| 3/4         | 3/4       | 1129-12-12M10              | 2.00 | 2.62 | 1.70 | 1.875 | .875  | .75  | 10.5  | .88  | .760  | MKM 542                   | M10 x 60   | 214    | 2.0 |
|             |           | M10x1.5                    |      |      |      |       |       |      | ----- |      |       | ---                       |            |        |     |
| 3/4         | 1         | 1129-12-16M10              | 2.00 | 2.62 | 1.70 | 1.875 | .875  | .75  | 10.5  | .88  | 1.010 | MKM 542                   | M10 x 60   | 214    | 1.9 |
|             |           | M10x1.5                    |      |      |      |       |       |      | ----- |      |       | ---                       |            |        |     |
| 1           | 1         | 1129-16-16M10              | 2.25 | 2.82 | 1.94 | 2.062 | 1.031 | 1.00 | 10.5  | 1.00 | 1.010 | MKM 543                   | M10 x 65   | 219    | 2.7 |
|             |           | M10x1.5                    |      |      |      |       |       |      | ----- |      |       | ---                       |            |        |     |
| 1           | 1 1/4     | 1129-16-20M10              | 2.25 | 2.82 | 1.94 | 2.062 | 1.031 | 1.00 | 10.5  | 1.00 | 1.260 | MKM 543                   | M10 x 65   | 219    | 2.6 |
|             |           | M10x1.5                    |      |      |      |       |       |      | ----- |      |       | ---                       |            |        |     |
| 1 1/4       | 1 1/4     | 1129-20-20M10 <sup>†</sup> | 2.75 | 3.19 | 2.40 | 2.312 | 1.188 | 1.25 | 10.5  | 1.25 | 1.260 | MKM 4532                  | M10 x 75   | 222    | 4.6 |
|             |           | M10x1.5                    |      |      |      |       |       |      | ----- |      |       | ---                       |            |        |     |
| 1 1/4       | 1 1/2     | 1129-20-24M10 <sup>†</sup> | 2.75 | 3.19 | 2.40 | 2.312 | 1.188 | 1.25 | 10.5  | 1.25 | 1.510 | MKM 4532                  | M10 x 75   | 222    | 4.4 |
|             |           | M10x1.5                    |      |      |      |       |       |      | ----- |      |       | ---                       |            |        |     |
| 1 1/2       | 1 1/2     | 1129-24-24M12 <sup>‡</sup> | 3.00 | 3.75 | 2.90 | 2.750 | 1.406 | 1.50 | 13.0  | 1.38 | 1.510 | MKM 4533                  | M12 x 90   | 225    | 7.0 |
|             |           | M12x1.75                   |      |      |      |       |       |      | ----- |      |       | ---                       |            |        |     |
| 1 1/2       | 2         | 1129-24-32M12 <sup>‡</sup> | 3.00 | 3.75 | 2.90 | 2.750 | 1.406 | 1.50 | 13.0  | 1.38 | 2.010 | MKM 4533                  | M12 x 90   | 225    | 6.7 |
|             |           | M12x1.75                   |      |      |      |       |       |      | ----- |      |       | ---                       |            |        |     |
| 2           | 2         | 1129-32-32M12 <sup>‡</sup> | 3.50 | 4.00 | 3.40 | 3.062 | 1.688 | 1.50 | 13.0  | 1.62 | 2.010 | MKM 4534                  | M12 x 100  | 228    | 9.9 |
|             |           | M12x1.75                   |      |      |      |       |       |      | ----- |      |       | ---                       |            |        |     |

MATERIAL:  
Low Carbon Steel



Model 1129 / 1131

Model 1130 / 1132



3181 TRI-PARK DR. GRAND BLANC, MI 48439 800-521-7918 810-953-1380 FAX 810-953-1385 INFO@MAINMFG.COM

## SAE J518 62 SERIES / ISO6162-2 PATTERN

| FLANGE SIZE | TUBE SIZE | PART NUMBER                | A    | B    | C    | D     | E     | F    | Gmm   | H    | K     | MOUNTING KIT <sup>①</sup> |            |        | WT   |
|-------------|-----------|----------------------------|------|------|------|-------|-------|------|-------|------|-------|---------------------------|------------|--------|------|
|             |           |                            |      |      |      |       |       |      | Jmm   |      |       | PART NO.                  | SCREW SIZE | O-RING |      |
| 1/2         | 3/4       | 1131-08-12M8               | 2.00 | 2.22 | 1.46 | 1.594 | .718  | .50  | 8.5   | .88  | .760  | MKM 541                   | M8 x 50    | 210    | 1.5  |
|             |           | M8x1.25                    |      |      |      |       |       |      | ----- |      |       | ---                       |            |        |      |
| 3/4         | 1         | 1131-12-16M10              | 2.25 | 2.81 | 1.70 | 2.000 | .937  | .75  | 10.5  | 1.00 | 1.010 | MKM 542                   | M10 x 60   | 214    | 2.4  |
|             |           | M10x1.5                    |      |      |      |       |       |      | ----- |      |       | ---                       |            |        |      |
| 1           | 1         | 1131-16-16M12              | 2.50 | 3.19 | 2.21 | 2.250 | 1.093 | 1.00 | 12.5  | 1.12 | 1.010 | MKM 2533                  | M12 x 75   | 219    | 4.0  |
|             |           | M12x1.75                   |      |      |      |       |       |      | ----- |      |       | ---                       |            |        |      |
| 1           | 1 1/4     | 1131-16-20M12              | 2.50 | 3.19 | 2.21 | 2.250 | 1.093 | 1.00 | 12.5  | 1.12 | 1.260 | MKM 2533                  | M12 x 75   | 219    | 3.9  |
|             |           | M12x1.75                   |      |      |      |       |       |      | ----- |      |       | ---                       |            |        |      |
| 1 1/4       | 1 1/4     | 1131-20-20M12 <sup>‡</sup> | 3.00 | 3.75 | 2.44 | 2.625 | 1.250 | 1.25 | 13.0  | 1.38 | 1.260 | MKM 578                   | M12 x 80   | 222    | 6.3  |
|             |           | M12x1.75                   |      |      |      |       |       |      | ----- |      |       | ---                       |            |        |      |
| 1 1/4       | 1 1/2     | 1131-20-24M12 <sup>‡</sup> | 3.00 | 3.75 | 2.44 | 2.625 | 1.250 | 1.25 | 13.0  | 1.38 | 1.510 | MKM 578                   | M12 x 80   | 222    | 6.1  |
|             |           | M12x1.75                   |      |      |      |       |       |      | ----- |      |       | ---                       |            |        |      |
| 1 1/2       | 2         | 1131-24-32M16              | 3.50 | 4.50 | 2.96 | 3.125 | 1.437 | 1.50 | 17.0  | 1.62 | 2.010 | MKM 553                   | M16 x 100  | 225    | 10.1 |
|             |           | M16x2                      |      |      |      |       |       |      | ----- |      |       | ---                       |            |        |      |
| 2           | 2         | 1131-32-32M20              | 4.00 | 5.25 | 3.46 | 3.812 | 1.750 | 1.50 | 21.0  | 2.00 | 2.010 | MKM 554                   | M20 x 120  | 228    | 15.9 |
|             |           | M20x2.5                    |      |      |      |       |       |      | ----- |      |       | ---                       |            |        |      |

① Order Separately

② C'bore Depth by Pipe Size: 1/2" and 3/4" is .38"; 1" to 2" is .50"

NOTE: DIMENSIONS ARE IN INCHES UNLESS OTHERWISE NOTED. † Also Available for M12 Bolts ‡ Also Available for M14 Bolts

© Copyright MAIN Mfg. 2017