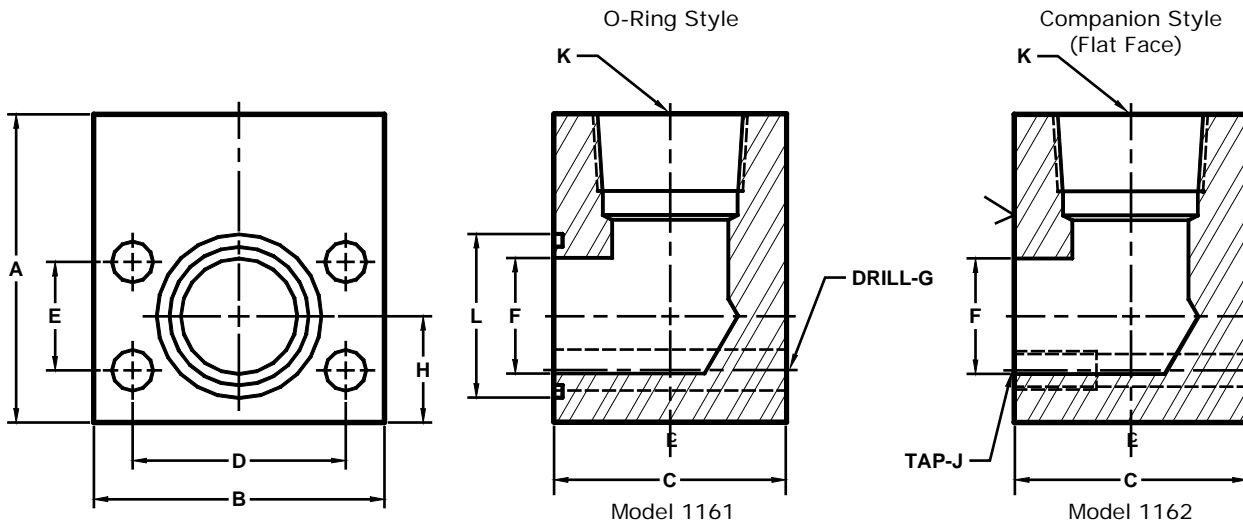


Developers and Manufacturers of Hydraulic Flanges & Components

## NPTF THREADED ELBOW PIPE FLANGES

SAE BOLT PATTERN

61 SERIES



FLANGE SIZE	PIPE SIZE	PART NUMBER	A	B	C	D	E	F	G	H	J	K	L	MOUNTING KIT <sup>①</sup>		
														PART NO.	BOLT SIZE	O-RING
1/2	1/2	1161-08-08	2.00	2.12	1.44	1.500	.688	.50	.34	.75	-----	1/2	1.000	MK 541	5/16-18 X 2	210
		1162-08-08							---				5/16-18	---	---	---
1/2	3/4	1161-08-12	2.75	2.12	1.75	1.500	.688	.50	.34	.75	-----	3/4	1.000	MK 1552	5/16-18 X 2 1/4	210
		1162-08-12							---				5/16-18	---	---	---
3/4	1/2	1161-12-08	2.50	2.62	1.70	1.875	.875	.75	.41	.88	-----	1/2	1.250	MK 542	3/8-16 X 2 1/2	214
		1162-12-08							---				3/8-16	---	---	---
3/4	3/4	1161-12-12	2.50	2.62	1.70	1.875	.875	.75	.41	.88	-----	3/4	1.250	MK 542	3/8-16 X 2 1/2	214
		1162-12-12							---				3/8-16	---	---	---
3/4	1	1161-12-16	3.00	2.62	2.00	1.875	.875	.75	.41	.88	-----	1	1.250	MK 3513	3/8-16 X 2 3/4	214
		1162-12-16							---				3/8-16	---	---	---
1	3/4	1161-16-12	3.00	2.82	1.94	2.062	1.031	1.00	.41	1.00	-----	3/4	1.562	MK 543	3/8-16 X 2 3/4	219
		1162-16-12							---				3/8-16	---	---	---
1	1	1161-16-16	3.00	2.82	1.94	2.062	1.031	1.00	.41	1.00	-----	1	1.562	MK 543	3/8-16 X 2 3/4	219
		1162-16-16							---				3/8-16	---	---	---
1	1 1/4	1161-16-20	3.50	3.00	2.50	2.062	1.031	1.00	.41	1.12	-----	1 1/4	1.562	MK 577	3/8-16 X 3 1/4	219
		1162-16-20							---				3/8-16	---	---	---
1 1/4	1	1161-20-16	3.50	3.19	2.40	2.312	1.188	1.25	.47	1.25	-----	1	1.750	MK 578	7/16-14 X 3 1/4	222
		1162-20-16							---				7/16-14	---	---	---
1 1/4	1 1/4	1161-20-20	3.50	3.19	2.40	2.312	1.188	1.25	.47	1.25	-----	1 1/4	1.750	MK 578	7/16-14 X 3 1/4	222
		1162-20-20							---				7/16-14	---	---	---
1 1/4	1 1/2	1161-20-24	4.00	3.19	3.00	2.312	1.188	1.25	.47	1.25	-----	1 1/2	1.750	MK 591	7/16-14 X 4	222
		1162-20-24							---				7/16-14	---	---	---
1 1/2	1 1/4	1161-24-20	4.00	3.75	2.90	2.750	1.406	1.50	.53	1.38	-----	1 1/4	2.125	MK 545	1/2-13 X 4	225
		1162-24-20							---				1/2-13	---	---	---
1 1/2	1 1/2	1161-24-24	4.00	3.75	2.90	2.750	1.406	1.50	.53	1.38	-----	1 1/2	2.125	MK 545	1/2-13 X 4	225
		1162-24-24							---				1/2-13	---	---	---
1 1/2	2	1161-24-32	4.00	3.75	2.90	2.750	1.406	1.50	.53	1.38	-----	2	2.125	MK 545	1/2-13 X 4	225
		1162-24-32							---				1/2-13	---	---	---

① Order Separately

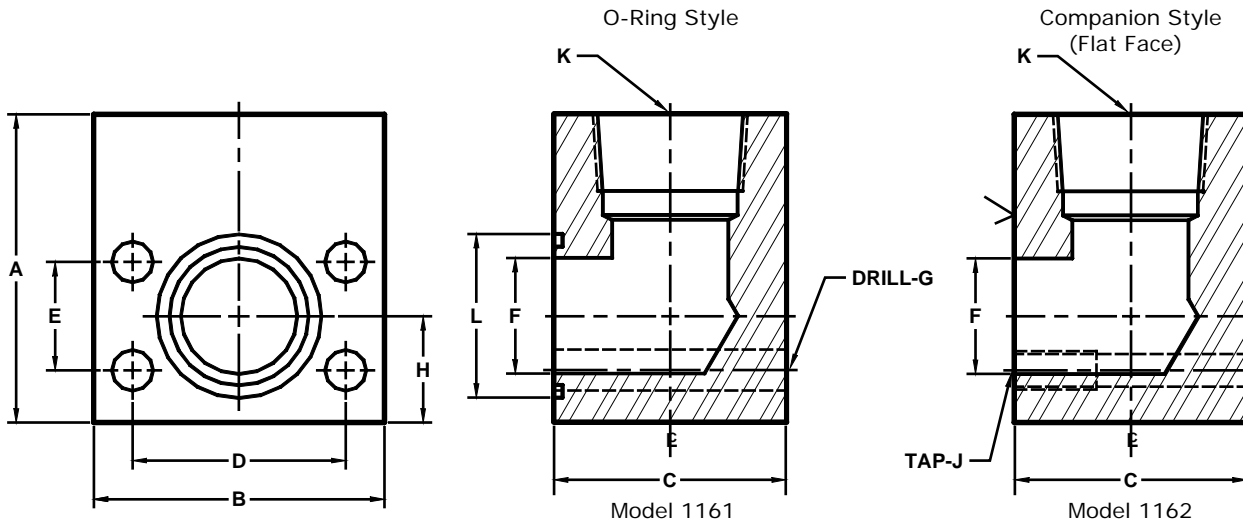
MATERIAL : STEEL  
1/07

Developers and Manufacturers of Hydraulic Flanges & Components

## NPTF THREADED ELBOW PIPE FLANGES

SAE BOLT PATTERN

61 SERIES



FLANGE SIZE	PIPE SIZE	PART NUMBER	A	B	C	D	E	F	G	H	J	K	L	MOUNTING KIT <sup>①</sup>		
														PART NO.	BOLT SIZE	O-RING
2	1 1/4	1161-32-20	4.50	4.00	2.96	3.062	1.688	1.94	.53	1.62	-----	1 1/4	2.500	MK 558	1/2-13 X 4	228
		1162-32-20							---							
2	1 1/2	1161-32-24	4.50	4.00	2.96	3.062	1.688	1.94	.53	1.62	-----	1 1/2	2.500	MK 558	1/2-13 X 4	228
		1162-32-24							---							
2	2	1161-32-32	4.50	4.00	2.96	3.062	1.688	1.94	.53	1.62	-----	2	2.500	MK 558	1/2-13 X 4	228
		1162-32-32							---							
2 1/2 <sup>②</sup>	1 1/2	1161-40-24	5.00	4.50	3.96	3.500	2.000	2.44	.53	2.00	-----	1 1/2	3.000	MK 547	1/2-13 X 5	232
		1162-40-24							---							
2 1/2 <sup>②</sup>	2	1161-40-32	5.00	4.50	3.96	3.500	2.000	2.44	.53	2.00	-----	2	3.000	MK 547	1/2-13 X 5	232
		1162-40-32							---							
2 1/2 <sup>②</sup>	2 1/2	1161-40-40	5.00	4.50	3.96	3.500	2.000	2.44	.53	2.00	-----	2 1/2	3.000	MK 547	1/2-13 X 5	232
		1162-40-40							---							
3 <sup>③</sup>	2	1161-48-32	6.00	5.31	4.46	4.188	2.438	2.94	.66	2.25	-----	2	3.625	MK 2532	5/8-11 X 5 1/2	237
		1162-48-32							---							
3 <sup>③</sup>	2 1/2	1161-48-40	6.00	5.31	4.46	4.188	2.438	2.94	.66	2.25	-----	2 1/2	3.625	MK 2532	5/8-11 X 5 1/2	237
		1162-48-40							---							
3 <sup>③</sup>	3	1161-48-48	6.00	5.31	4.46	4.188	2.438	2.94	.66	2.25	-----	3	3.625	MK 2532	5/8-11 X 5 1/2	237
		1162-48-48							---							
3 1/2 <sup>④</sup>	2 1/2	1161-56-40	6.00	6.00	5.00	4.750	2.750	3.44	.66	2.50	-----	2 1/2	4.109	MK 5543	5/8-11 X 6	241
		1162-56-40							---							
3 1/2 <sup>④</sup>	3	1161-56-48	6.00	6.00	5.00	4.750	2.750	3.44	.66	2.50	-----	3	4.109	MK 5543	5/8-11 X 6	241
		1162-56-48							---							
3 1/2 <sup>④</sup>	3 1/2	1161-56-56	6.25	6.00	5.40	4.750	2.750	3.44	.66	2.50	-----	3 1/2	4.109	MK 549	5/8-11 X 6 1/2	241
		1162-56-56							---							
4 <sup>④</sup>	3	1161-64-48							---		-----					
		1162-64-48							---							
4 <sup>④</sup>	4	1161-64-64							---		-----					
		1162-64-64							---							

① Order Separately    ② 2500 PSI Max    ③ 2000 PSI Max    ④ 500 PSI Max

MATERIAL : STEEL  
1/07