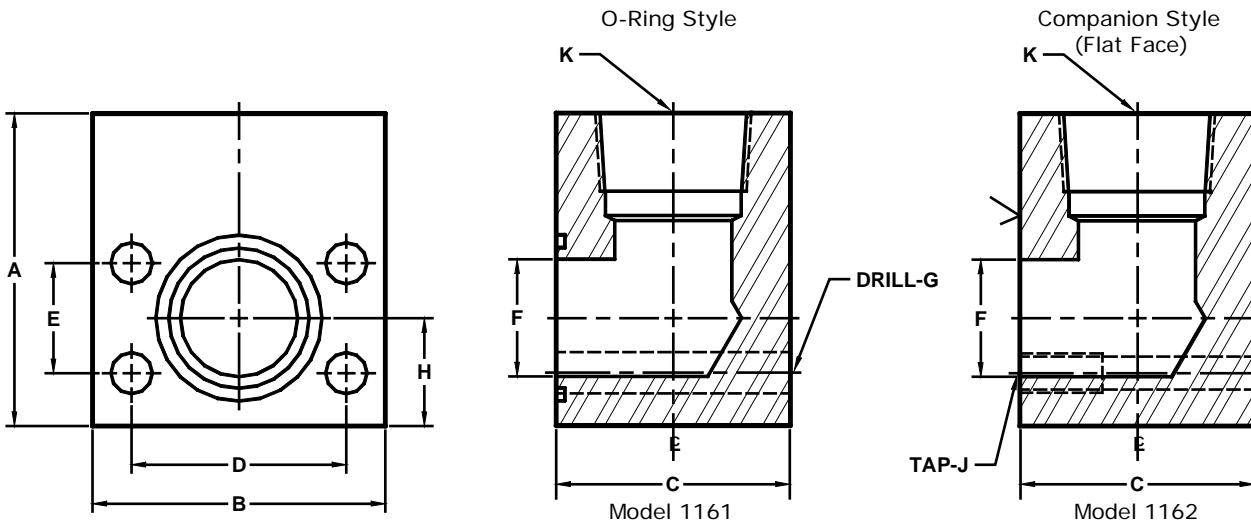


Developers and Manufacturers of Hydraulic Flanges & Components

## NPTF THREADED ELBOW PIPE FLANGES

ISO 6162-1 PATTERN / J518 61 SERIES METRIC



FLANGE SIZE	PIPE SIZE	PART NUMBER	A	B	C	D	E	F	G	H	J	K NPTF	MOUNTING KIT <sup>①</sup>		
													PART NO.	BOLT SIZE	O-RING
13	1/2	1161-08-08M8	51.0	54.0	36.5	38.10	17.48	12.5	8.5	19.0	----	1/2	MKM 541	M8 x 50	210
		1162-08-08M8				(1.500)	(.688)		---		M8 x 1.25		-----	---	
19	3/4	1161-12-08M10	63.5	66.5	43.0	47.63	22.23	19.0	10.5	22.4	----	1/2	MKM 542	M10 x 60	214
		1162-12-08M10				(1.875)	(.875)		---		M10 x 1.5		-----	---	
19	3/4	1161-12-12M10	63.5	66.5	43.0	47.63	22.23	19.0	10.5	22.4	----	3/4	MKM 542	M10 x 60	214
		1162-12-12M10				(1.875)	(.875)		---		M10 x 1.5		-----	---	
25	1	1161-16-12M10	76.0	71.5	49.5	52.37	26.19	25.0	10.5	25.4	----	3/4	MKM 543	M10 x 65	219
		1162-16-12M10				(2.062)	(1.031)		---		M10 x 1.5		-----	---	
25	1	1161-16-16M10	76.0	71.5	49.5	52.37	26.19	25.0	10.5	25.4	----	1	MKM 543	M10 x 65	219
		1162-16-16M10				(2.062)	(1.031)		---		M10 x 1.5		-----	---	
32	1 1/4	1161-20-16M10	89.0	81.0	61.0	58.72	30.18	31.5	10.5	31.8	----	1	MKM 4532	M10 x 75	222
		1162-20-16M10				(2.312)	(1.188)		---		M10 x 1.5		-----	---	
32	1 1/4	1161-20-16M12*	89.0	81.0	61.0	58.72	30.18	31.5	12.5	31.8	----	1	MKM 578	M12 x 80	222
		1162-20-16M12*				(2.312)	(1.188)		---		M12 x 1.75		-----	---	
32	1 1/4	1161-20-20M10	89.0	81.0	61.0	58.72	30.18	31.5	10.5	31.8	----	1 1/4	MKM 4532	M10 x 75	222
		1162-20-20M10				(2.312)	(1.188)		---		M10 x 1.5		-----	---	
32	1 1/4	1161-20-20M12*	89.0	81.0	61.0	58.72	30.18	31.5	12.5	31.8	----	1 1/4	MKM 578	M12 x 80	222
		1162-20-20M12*				(2.312)	(1.188)		---		M12 x 1.75		-----	---	
38	1 1/2	1161-24-20M12	101.5	95.5	73.5	69.85	35.71	38.0	13.0	35.1	----	1 1/4	MKM 4533	M12 x 90	225
		1162-24-20M12				(2.750)	(1.406)		---		M12 x 1.75		-----	---	
38	1 1/2	1161-24-20M14*	101.5	95.5	73.5	69.85	35.71	38.0	15.0	35.1	----	1 1/4	MKM 545	M14 x 100	225
		1162-24-20M14*				(2.750)	(1.406)		---		M14 x 2		-----	---	
38	1 1/2	1161-24-24M12	101.5	95.5	73.5	69.85	35.71	38.0	13.0	35.1	----	1 1/2	MKM 4533	M12 x 90	225
		1162-24-24M12				(2.750)	(1.406)		---		M12 x 1.75		-----	---	
38	1 1/2	1161-24-24M14*	101.5	95.5	73.5	69.85	35.71	38.0	15.0	35.1	----	1 1/2	MKM 545	M14 x 100	225
		1162-24-24M14*				(2.750)	(1.406)		---		M14 x 2		-----	---	

① Order Separately

\* Non Standard Bolt For This Flange Size.

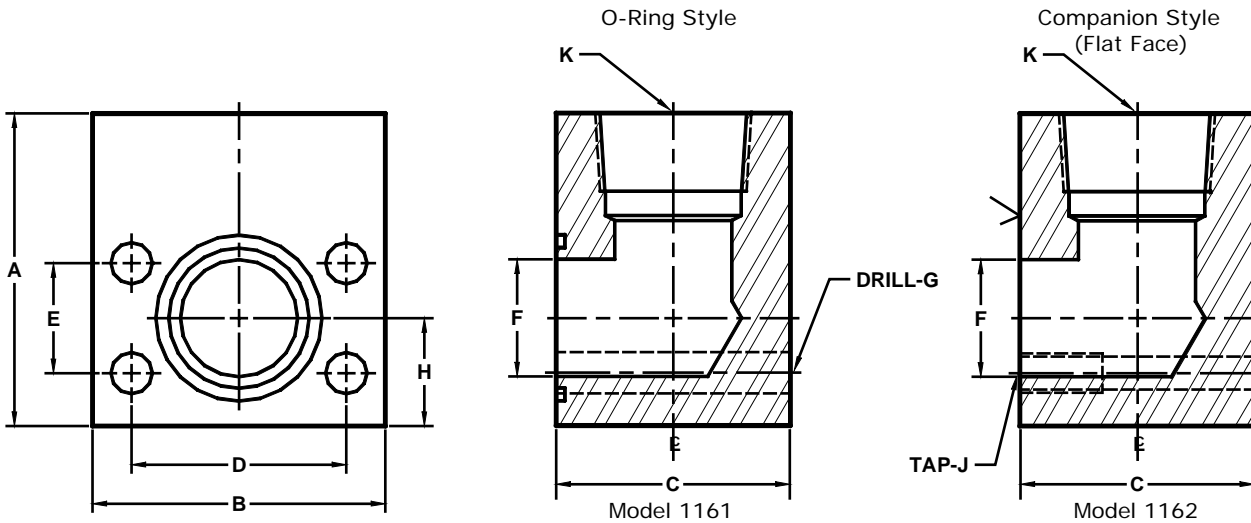
MATERIAL : STEEL  
1/07

NOTE: DIMENSIONS ARE IN MILLIMETERS. INCH EQUIVALENTS IN ().

Developers and Manufacturers of Hydraulic Flanges & Components

## NPTF THREADED ELBOW PIPE FLANGES

ISO 6162-1 PATTERN / J518 61 SERIES METRIC



FLANGE SIZE	PIPE SIZE	PART NUMBER	A	B	C	D	E	F	G	H	J	K NPTF	MOUNTING KIT <sup>①</sup>		
													PART NO.	BOLT SIZE	O-RING
51	2	1 1/2	114.0	101.5	75.0	77.77	42.88	49.2	13.0	41.1	----	1 1/2	MKM 4547	M12 x 90	228
		1161-32-24M12				(3.062)	(1.688)		---		M12 x 1.75		-----	---	
51	2	1 1/2	114.0	101.5	75.0	77.77	42.88	49.2	15.0	41.1	----	1 1/2	MKM 558	M14 x 100	228
		1161-32-24M14*				(3.062)	(1.688)		---		M14 x 2		-----	---	
51	2	2	114.0	101.5	75.0	77.77	42.88	49.2	13.0	41.1	----	2	MKM 4547	M12 x 90	228
		1161-32-32M12				(3.062)	(1.688)		---		M12 x 1.75		-----	---	
51	2	2	114.0	101.5	75.0	77.77	42.88	49.2	15.0	41.1	----	2	MKM 558	M14 x 100	228
		1161-32-32M14*				(3.062)	(1.688)		---		M14 x 2		-----	---	
64 <sup>②</sup>	2 1/2	2	127.0	114.0	100.5	88.90	50.80	62.0	13.0	50.8	----	2	MKM 4535	M12 x 120	232
		1161-40-32M12				(3.500)	(2.000)		---		M12 x 1.75		-----	---	
64 <sup>②</sup>	2 1/2	2	127.0	114.0	100.5	88.90	50.80	62.0	15.0	50.8	----	2	MKM 547	M14 x 120	232
		1161-40-32M14*				(3.500)	(2.000)		---		M14 x 2		-----	---	
64 <sup>②</sup>	2 1/2	2 1/2	127.0	114.0	100.5	88.90	50.80	62.0	13.0	50.8	----	2 1/2	MKM 4535	M12 x 120	232
		1161-40-40M12				(3.500)	(2.000)		---		M12 x 1.75		-----	---	
64 <sup>②</sup>	2 1/2	2 1/2	127.0	114.0	100.5	88.90	50.80	62.0	15.0	50.8	----	2 1/2	MKM 547	M14 x 120	232
		1161-40-40M14*				(3.500)	(2.000)		---		M14 x 2		-----	---	
76 <sup>③</sup>	3	2 1/2	152.5	135.0	113.0	106.38	61.93	74.6	17.0	57.2	----	2 1/2	MKM 2532	M16 x 140	237
		1161-48-40M16				(4.188)	(2.438)		---		M16 x 2		-----	---	
76 <sup>③</sup>	3	3	152.5	135.0	113.0	106.38	61.93	74.6	17.0	57.2	----	3	MKM 2532	M16 x 140	237
		1161-48-48M16				(4.188)	(2.438)		---		M16 x 2		-----	---	
89 <sup>④</sup>	3 1/2	3	152.5	152.5	127.0	120.65	69.85	87.3	17.0	63.5	----	3	MKM 5543	M16 x 150	241
		1161-56-48M16				(4.750)	(2.750)		---		M16 x 2		-----	---	
89 <sup>④</sup>	3 1/2	3 1/2	158.8	152.5	137.0	120.65	69.85	87.3	17.0	63.5	----	3 1/2	MKM 549	M16 x 160	241
		1161-56-56M16				(4.750)	(2.750)		---		M16 x 2		-----	---	
102 <sup>④</sup>	4	4									----				
		1161-64-64M16													

① Order Separately    ② 16 MPa Max    ③ 10 MPa Max    ④ 2.5 MPa Max  
\* Non Standard Bolt For This Flange Size.

MATERIAL : STEEL  
1/07

NOTE: DIMENSIONS ARE IN MILLIMETERS. INCH EQUIVALENTS IN ().