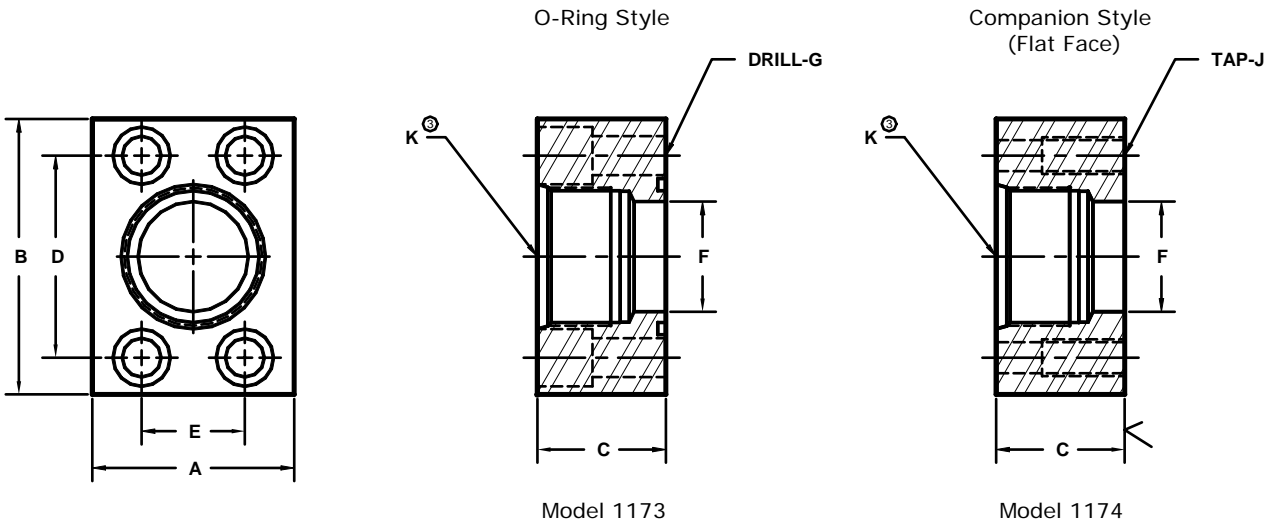


Developers and Manufacturers of Hydraulic Flanges & Components

SAE STRAIGHT THREADED IN-LINE FLANGES

ISO 6162-1 PATTERN / J518 61 SERIES METRIC



FLANGE SIZE		PORT SIZE	PART NUMBER	A	B	C	D	E	F	G	J	K	MOUNTING KIT ^①		
													PART NO.	BOLT SIZE	O-RING
13	1/2	-4	1173-08-04M8	38.0	54.0	31.5	38.10	17.48	9.4	8.5	----	7/16-20	MKM 501	M8 x 30	210
			1174-08-04M8				(1.500)	(.688)		---	M8 x 1.25		-----	---	
13	1/2	-6	1173-08-06M8	38.0	54.0	31.5	38.10	17.48	11.9	8.5	----	9/16-18	MKM 501	M8 x 30	210
			1174-08-06M8				(1.500)	(.688)		---	M8 x 1.25		-----	---	
13	1/2	-8	1173-08-08M8	38.0	54.0	31.5	38.10	17.48	12.5	8.5	----	3/4-16	MKM 501	M8 x 30	210
			1174-08-08M8				(1.500)	(.688)		---	M8 x 1.25		-----	---	
19	3/4	-8	1173-12-08M10	44.5	66.5	38.0	47.63	22.23	16.7	10.5	----	3/4-16	MKM 1525	M10 x 35	214
			1174-12-08M10				(1.875)	(.875)		---	M10 x 1.5		-----	---	
19	3/4	-12	1173-12-12M10	44.5	66.5	38.0	47.63	22.23	19.0	10.5	----	1 1/16-12	MKM 1525	M10 x 35	214
			1174-12-12M10				(1.875)	(.875)		---	M10 x 1.5		-----	---	
25	1	-10	1173-16-10M10	51.0	71.5	38.0	52.37	26.19	19.8	10.5	----	7/8-14	MKM 1542	M10 x 35	219
			1174-16-10M10				(2.062)	(1.031)		---	M10 x 1.5		-----	---	
25	1	-12	1173-16-12M10	51.0	71.5	38.0	52.37	26.19	23.8	10.5	----	1 1/16-12	MKM 1542	M10 x 35	219
			1174-16-12M10				(2.062)	(1.031)		---	M10 x 1.5		-----	---	
25	1	-14	1173-16-14M10	51.0	71.5	38.0	52.37	26.19	19.0	10.5	----	1 3/16-12	MKM 1542	M10 x 35	219
			1174-16-14M10				(2.062)	(1.031)		---	M10 x 1.5		-----	---	
25	1	-16	1173-16-16M10	51.0	71.5	38.0	52.37	26.19	25.0	10.5	----	1 5/16-12	MKM 1542	M10 x 35	219
			1174-16-16M10				(2.062)	(1.031)		---	M10 x 1.5		-----	---	
32	1 1/4	-16	1173-20-16M10	63.5	81.0	38.0	58.72	30.18	30.4	10.5	----	1 5/16-12	MKM 4520	M10 x 35	222
			1174-20-16M10				(2.312)	(1.188)		---	M10 x 1.5		-----	---	
32	1 1/4	-16	1173-20-16M12*	63.5	81.0	38.0	58.72	30.18	30.4	12.5	----	1 5/16-12	MKM 1527	M12 x 40	222
			1174-20-16M12*				(2.312)	(1.188)		---	M12 x 1.75		-----	---	
32	1 1/4	-20	1173-20-20M10	63.5	81.0	38.0	58.72	30.18	31.5	10.5	----	1 5/8-12	MKM 4520	M10 x 35	222
			1174-20-20M10				(2.312)	(1.188)		---	M10 x 1.5		-----	---	
32	1 1/4	-20	1173-20-20M12*	63.5	81.0	38.0	58.72	30.18	31.5	12.5	----	1 5/8-12	MKM 1527	M12 x 40	222
			1174-20-20M12*				(2.312)	(1.188)		---	M12 x 1.75		-----	---	

① Order Separately ③ The pressure rating of the assembly should not exceed the lower of the flange pad or the fitting. Check the fitting manufacturer for details.

MATERIAL : STEEL
1/07

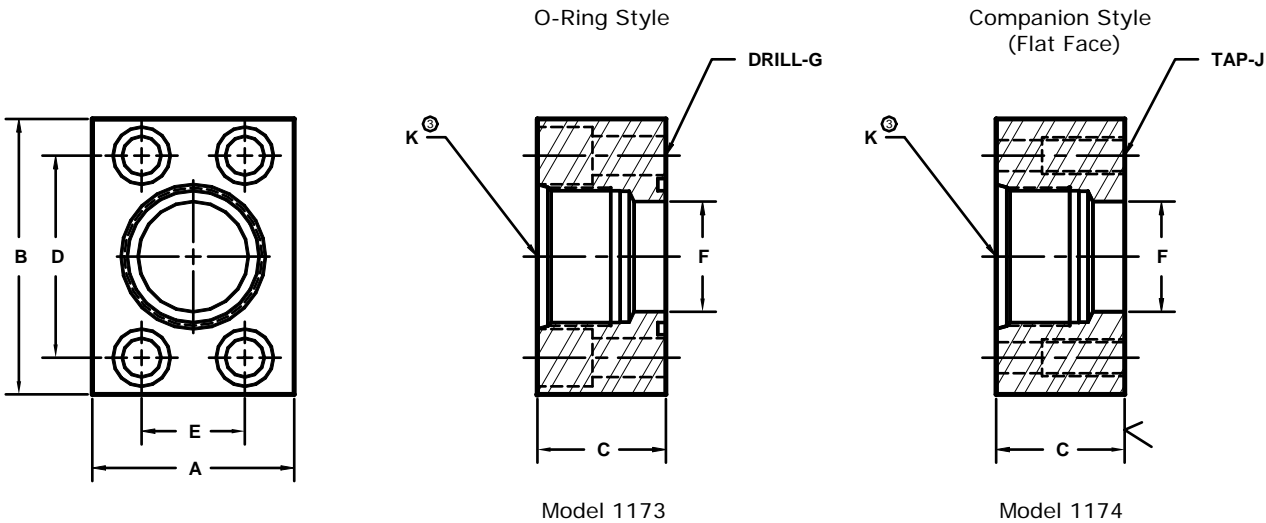
* Non Standard Bolt For This Flange Size.

NOTE: DIMENSIONS ARE IN MILLIMETERS. INCH EQUIVALENTS IN ().

Developers and Manufacturers of Hydraulic Flanges & Components

SAE STRAIGHT THREADED IN-LINE FLANGES

ISO 6162-1 PATTERN / J518 61 SERIES METRIC



FLANGE SIZE		PORT SIZE	PART NUMBER	A	B	C	D	E	F	G	J	K	MOUNTING KIT ^①		
													PART NO.	BOLT SIZE	O-RING
38	1½	-20	1173-24-20M12	70.0	95.5	44.0	69.85	35.71	38.0	13.0	-----	1 5/8-12	MKM 2599	M12 x 45	225
			1174-24-20M12				(2.750)	(1.406)		---	M12 x 1.75		-----	---	
38	1½	-20	1173-24-20M14*	70.0	95.5	44.0	69.85	35.71	38.0	15.0	-----	1 5/8-12	MKM 1547	M14 x 45	225
			1174-24-20M14*				(2.750)	(1.406)		---	M14 x 2		-----	---	
38	1½	-24	1173-24-24M12	70.0	95.5	44.0	69.85	35.71	38.0	13.0	-----	1 7/8-12	MKM 2599	M12 x 45	225
			1174-24-24M12				(2.750)	(1.406)		---	M12 x 1.75		-----	---	
38	1½	-24	1173-24-24M14*	70.0	95.5	44.0	69.85	35.71	38.0	15.0	-----	1 7/8-12	MKM 1547	M14 x 45	225
			1174-24-24M14*				(2.750)	(1.406)		---	M14 x 2		-----	---	
51	2	-24	1173-32-24M12	82.5	101.5	44.0	77.77	42.88	44.9	13.0	-----	1 7/8-12	MKM 4513	M12 x 45	228
			1174-32-24M12				(3.062)	(1.688)		---	M12 x 1.75		-----	---	
51	2	-24	1173-32-24M14*	82.5	101.5	44.0	77.77	42.88	44.9	15.0	-----	1 7/8-12	MKM 582	M14 x 45	228
			1174-32-24M14*				(3.062)	(1.688)		---	M14 x 2		-----	---	
51	2	-32	-----	82.5	101.5	44.0	77.77	42.88	49.2	---	-----	2 1/2-12	-----	-----	---
			1174-32-32M12				(3.062)	(1.688)		---	M12 x 1.75		-----	---	
51	2	-32	-----	82.5	101.5	44.0	77.77	42.88	49.2	---	-----	2 1/2-12	-----	-----	---
			1174-32-32M14*				(3.062)	(1.688)		---	M14 x 2		-----	---	
64 ^②	2½	-24	1173-40-24M12	101.5	114.0	44.0	88.90	50.80	44.9	13.0	-----	1 7/8-12	MKM 3562	M12 x 45	232
			1174-40-24M12				(3.500)	(2.000)		---	M12 x 1.75		-----	---	
64 ^②	2½	-24	1173-40-24M14*	101.5	114.0	44.0	88.90	50.80	44.9	15.0	-----	1 7/8-12	MKM 1528	M14 x 45	232
			1174-40-24M14*				(3.500)	(2.000)		---	M14 x 2		-----	---	
64 ^②	2½	-32	1173-40-32M12	101.5	114.0	44.0	88.90	50.80	60.7	13.0	-----	2 1/2-12	MKM 3562	M12 x 45	232
			1174-40-32M12				(3.500)	(2.000)		---	M12 x 1.75		-----	---	
64 ^②	2½	-32	1173-40-32M14*	101.5	114.0	44.0	88.90	50.80	60.7	15.0	-----	2 1/2-12	MKM 1528	M14 x 45	232
			1174-40-32M14*				(3.500)	(2.000)		---	M14 x 2		-----	---	

① Order Separately ② 16 MPa Max ③ The pressure rating of the assembly should not exceed the lower of the flange pad or the fitting. Check the fitting manufacturer for details. MATERIAL : STEEL 1/07

* Non Standard Bolt For This Flange Size.

NOTE: DIMENSIONS ARE IN MILLIMETERS. INCH EQUIVALENTS IN ().