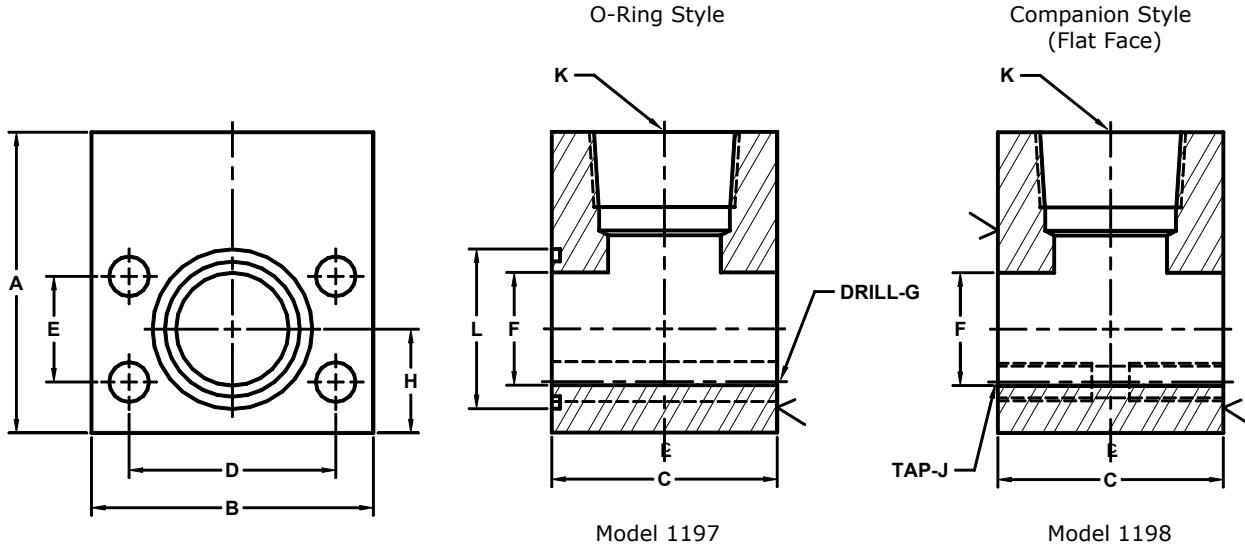


Developers and Manufacturers of Hydraulic Flanges & Components

NPTF THREADED RUN TEE PIPE FLANGES

SAE BOLT PATTERN

61 SERIES



FLANGE SIZE	PIPE SIZE	PART NUMBER	A	B	C	D	E	F	G	H	J	K	L	O-RING ^①
1/2	1/2	1197-08-08	2.00	2.12	1.44	1.500	.688	.50	.34	.75	-----	1/2	1.000	210
		1198-08-08							---				5/16-18	----
1/2	3/4	1197-08-12	2.75	2.12	1.75	1.500	.688	.50	.34	.75	-----	3/4	1.000	210
		1198-08-12							---				5/16-18	----
3/4	1/2	1197-12-08	2.50	2.62	1.70	1.875	.875	.75	.41	.88	-----	1/2	1.250	214
		1198-12-08							---				3/8-16	----
3/4	3/4	1197-12-12	2.50	2.62	1.70	1.875	.875	.75	.41	.88	-----	3/4	1.250	214
		1198-12-12							---				3/8-16	----
3/4	1	1197-12-16	3.00	2.62	2.00	1.875	.875	.75	.41	.88	-----	1	1.250	214
		1198-12-16							---				3/8-16	----
1	3/4	1197-16-12	3.00	2.82	1.94	2.062	1.031	1.00	.41	1.00	-----	3/4	1.562	219
		1198-16-12							---				3/8-16	----
1	1	1197-16-16	3.00	2.82	1.94	2.062	1.031	1.00	.41	1.00	-----	1	1.562	219
		1198-16-16							---				3/8-16	----
1	1 1/4	1197-16-20	3.50	3.00	2.50	2.062	1.031	1.00	.41	1.12	-----	1 1/4	1.562	219
		1198-16-20							---				3/8-16	----
1 1/4	1	1197-20-16	3.50	3.19	2.40	2.312	1.188	1.25	.47	1.25	-----	1	1.750	222
		1198-20-16							---				7/16-14	----
1 1/4	1 1/4	1197-20-20	3.50	3.19	2.40	2.312	1.188	1.25	.47	1.25	-----	1 1/4	1.750	222
		1198-20-20							---				7/16-14	----
1 1/4	1 1/2	1197-20-24	4.00	3.19	3.00	2.312	1.188	1.25	.47	1.25	-----	1 1/2	1.750	222
		1198-20-24							---				7/16-14	----
1 1/2	1 1/4	1197-24-20	4.00	3.75	2.90	2.750	1.406	1.50	.53	1.38	-----	1 1/4	2.125	225
		1198-24-20							---				1/2-13	----
1 1/2	1 1/2	1197-24-24	4.00	3.75	2.90	2.750	1.406	1.50	.53	1.38	-----	1 1/2	2.125	225
		1198-24-24							---				1/2-13	----
1 1/2	2	1197-24-32	4.00	3.75	2.90	2.750	1.406	1.50	.53	1.38	-----	2	2.125	225
		1198-24-32							---				1/2-13	----

① Included

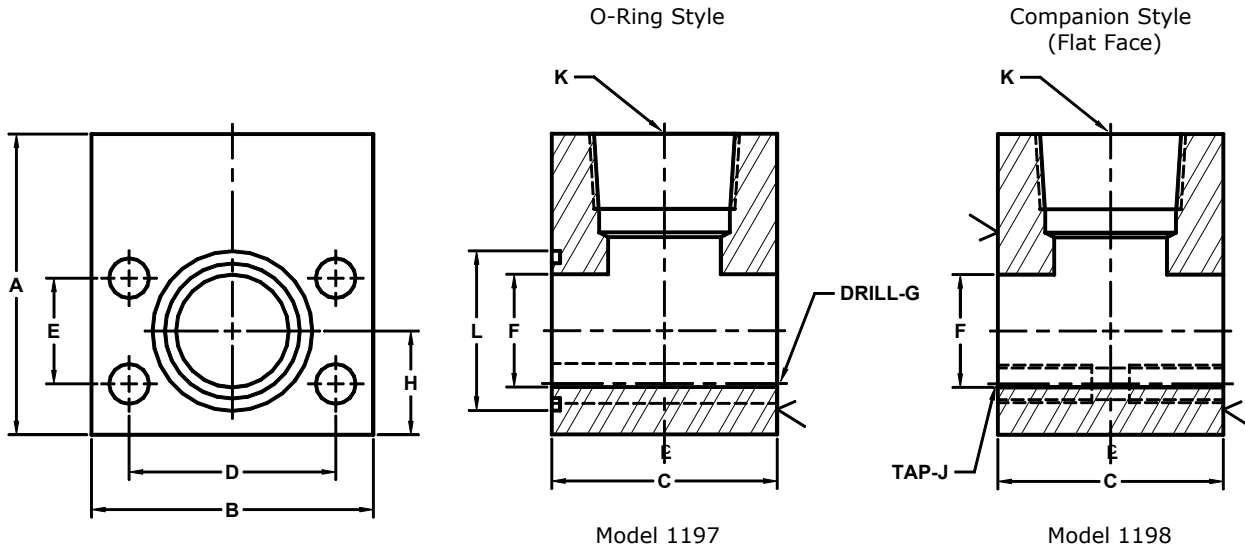
MATERIAL : STEEL
1/07

Developers and Manufacturers of Hydraulic Flanges & Components

NPTF THREADED RUN TEE PIPE FLANGES

SAE BOLT PATTERN

61 SERIES



FLANGE SIZE	PIPE SIZE	PART NUMBER	A	B	C	D	E	F	G	H	J	K	L	O-RING ^①
2	1 1/4	1197-32-20	4.50	4.00	2.96	3.062	1.688	1.94	.53	1.62	----	1 1/4	2.500	228
		1198-32-20									1/2-13		----	
2	1 1/2	1197-32-24	4.50	4.00	2.96	3.062	1.688	1.94	.53	1.62	----	1 1/2	2.500	228
		1198-32-24									1/2-13		----	
2	2	1197-32-32	4.50	4.00	2.96	3.062	1.688	1.94	.53	1.62	----	2	2.500	228
		1198-32-32									1/2-13		----	
2 1/2 ^②	1 1/2	1197-40-24	5.00	4.50	3.96	3.500	2.000	2.44	.53	2.00	----	1 1/2	3.000	232
		1198-40-24									1/2-13		----	
2 1/2 ^②	2	1197-40-32	5.00	4.50	3.96	3.500	2.000	2.44	.53	2.00	----	2	3.000	232
		1198-40-32									1/2-13		----	
2 1/2 ^②	2 1/2	1197-40-40	5.00	4.50	3.96	3.500	2.000	2.44	.53	2.00	----	2 1/2	3.000	232
		1198-40-40									1/2-13		----	
3 ^③	2	1197-48-32	6.00	5.31	4.46	4.188	2.438	2.94	.66	2.25	----	2	3.625	237
		1198-48-32									5/8-11		----	
3 ^③	2 1/2	1197-48-40	6.00	5.31	4.46	4.188	2.438	2.94	.66	2.25	----	2 1/2	3.625	237
		1198-48-40									5/8-11		----	
3 ^③	3	1197-48-48	6.00	5.31	4.46	4.188	2.438	2.94	.66	2.25	----	3	3.625	237
		1198-48-48									5/8-11		----	
3 1/2 ^④	2 1/2	1197-56-40	6.00	6.00	5.00	4.750	2.750	3.44	.66	2.50	----	2 1/2	4.109	241
		1198-56-40									5/8-11		----	
3 1/2 ^④	3	1197-56-48	6.00	6.00	5.00	4.750	2.750	3.44	.66	2.50	----	3	4.109	241
		1198-56-48									5/8-11		----	
3 1/2 ^④	3 1/2	1197-56-56	6.25	6.00	5.40	4.750	2.750	3.44	.66	2.50	----	3 1/2	4.109	241
		1198-56-56									5/8-11		----	
4 ^④	3	1197-64-48									----			
		1198-64-48										----		
4 ^④	4	1197-64-64									----			
		1198-64-64										----		

① Included ② 2500 PSI Max ③ 2000 PSI Max ④ 500 PSI Max

MATERIAL : STEEL
1/07