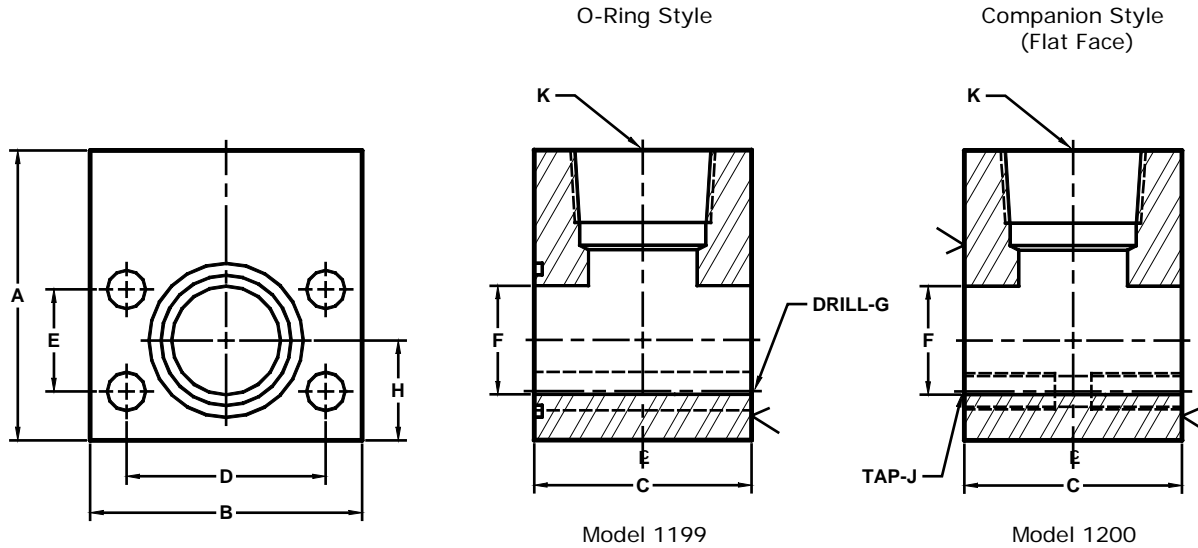


Developers and Manufacturers of Hydraulic Flanges & Components

NPTF THREADED RUN TEE PIPE FLANGES

ISO 6162-2 PATTERN / J518 62 SERIES METRIC



| FLANGE SIZE | | PIPE SIZE | PART NUMBER | A | B | C | D | E | F | G | H | J | K NPTF | O-RING ^① |
|------------------------|--------------|--------------|----------------|-------|-------|-------|---------|---------|------|------|------|------------|-----------|---------------------|
| 13 | 1/2 | 1/2 | 1199-08-08M8 | 51.0 | 56.5 | 37.0 | 40.49 | 18.24 | 12.5 | 8.5 | 22.4 | ---- | 1/2 | 210 |
| | | | 1200-08-08M8 | | | | (1.594) | (.718) | | --- | | M8 x 1.25 | | --- |
| 19 | 3/4 | 3/4 | 1199-12-12M10 | 63.5 | 71.5 | 43.0 | 50.80 | 23.80 | 19.0 | 10.5 | 25.4 | ---- | 3/4 | 214 |
| | | | 1200-12-12M10 | | | | (2.000) | (.937) | | --- | | M10 x 1.5 | | --- |
| 25 | 1 | 3/4 | 1199-16-12M12 | 76.0 | 81.0 | 50.0 | 57.15 | 27.76 | 25.0 | 12.5 | 28.4 | ---- | 3/4 | 219 |
| | | | 1200-16-12M12 | | | | (2.250) | (1.093) | | --- | | M12 x 1.75 | | --- |
| 25 | 1 | 1 | 1199-16-16M12 | 76.0 | 81.0 | 50.0 | 57.15 | 27.76 | 25.0 | 12.5 | 28.4 | ---- | 1 | 219 |
| | | | 1200-16-16M12 | | | | (2.250) | (1.093) | | --- | | M12 x 1.75 | | --- |
| 32 | 1 1/4 | 1 1/4 | 1199-20-20M12 | 101.5 | 95.5 | 62.0 | 66.68 | 31.75 | 31.5 | 13.0 | 35.0 | ---- | 1 1/4 | 222 |
| | | | 1200-20-20M12 | | | | (2.625) | (1.250) | | --- | | M12 x 1.75 | | --- |
| 32 | 1 1/4 | 1 1/4 | 1199-20-20M14* | 101.5 | 95.5 | 62.0 | 66.68 | 31.75 | 31.5 | 15.0 | 35.0 | ---- | 1 1/4 | 222 |
| | | | 1200-20-20M14* | | | | (2.625) | (1.250) | | --- | | M14 x 2 | | --- |
| 38 | 1 1/2 | 1 1/4 | 1199-24-20M16 | 101.5 | 114.5 | 75.0 | 79.38 | 36.50 | 38.0 | 17.0 | 41.1 | ---- | 1 1/4 | 225 |
| | | | 1200-24-20M16 | | | | (3.125) | (1.437) | | --- | | M16 x 2 | | --- |
| 38 | 1 1/2 | 1 1/2 | 1199-24-24M16 | 101.5 | 114.5 | 75.0 | 79.38 | 36.50 | 38.0 | 17.0 | 41.1 | ---- | 1 1/2 | 225 |
| | | | 1200-24-24M16 | | | | (3.125) | (1.437) | | --- | | M16 x 2 | | --- |
| 51 | 2 | 1 1/2 | 1199-32-24M20 | 127.0 | 133.5 | 88.0 | 96.82 | 44.45 | 49.2 | 21.0 | 50.8 | ---- | 1 1/2 | 228 |
| | | | 1200-32-24M20 | | | | (3.812) | (1.750) | | --- | | M20 x 2.5 | | --- |
| 51 | 2 | 2 | 1199-32-32M20 | 127.0 | 133.5 | 88.0 | 96.82 | 44.45 | 49.2 | 21.0 | 50.8 | ---- | 2 | 228 |
| | | | 1200-32-32M20 | | | | (3.812) | (1.750) | | --- | | M20 x 2.5 | | --- |
| 64 ^② | 2 1/2 | 2 | 1199-40-32M24 | 152.5 | 175.0 | 101.5 | 123.82 | 58.72 | 62.0 | 25.5 | 63.5 | ---- | 2 | 232 |
| | | | 1200-40-32M24 | | | | (4.875) | (2.312) | | --- | | M24 x 3 | | --- |
| 64 ^② | 2 1/2 | 2 1/2 | 1199-40-40M24 | 152.5 | 175.0 | 101.5 | 123.82 | 58.72 | 62.0 | 25.5 | 63.5 | ---- | 2 1/2 | 232 |
| | | | 1200-40-40M24 | | | | (4.875) | (2.312) | | --- | | M24 x 3 | | --- |
| 76 ^② | 3 | 3 | 1199-48-48M30 | 178.0 | 216.0 | 127.0 | 152.40 | 71.42 | 74.6 | 32.0 | 76.2 | ---- | 3 | 237 |
| | | | 1200-48-48M30 | | | | (6.000) | (2.812) | | --- | | M30 x 3.5 | | --- |

① Included ② Not included in ISO 6162 specifications
* Non Standard Bolt For This Flange Size.

MATERIAL : STEEL
1/07

NOTE: DIMENSIONS ARE IN MILLIMETERS. INCH EQUIVALENTS IN ().