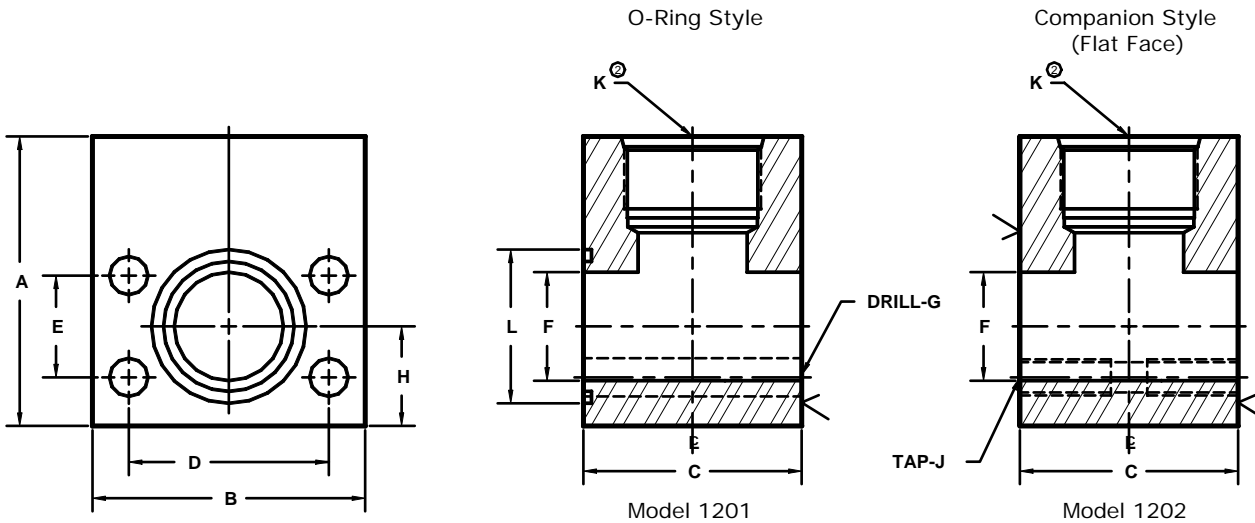


Developers and Manufacturers of Hydraulic Flanges & Components

SAE STRAIGHT THREADED RUN TEE FLANGES

SAE BOLT PATTERN

61 SERIES



FLANGE SIZE	PORT SIZE	PART NUMBER	A	B	C	D	E	F	G	H	J	K	L	O-RING ^①
1/2	-8	1201-08-08	2.00	2.12	1.44	1.500	.688	.50	.34	.75	----	3/4-16	1.000	210
		1202-08-08							---		5/16-18		----	---
1/2	-12	1201-08-12	2.75	2.12	1.75	1.500	.688	.50	.34	.75	----	1 1/16-12	1.000	210
		1202-08-12							---		5/16-18		----	---
3/4	-8	1201-12-08	2.50	2.62	1.70	1.875	.875	.75	.41	.88	----	3/4-16	1.250	214
		1202-12-08							---		3/8-16		----	---
3/4	-10	1201-12-10	2.50	2.62	1.70	1.875	.875	.75	.41	.88	----	7/8-14	1.250	214
		1202-12-10							---		3/8-16		----	---
3/4	-12	1201-12-12	2.50	2.62	1.70	1.875	.875	.75	.41	.88	----	1 1/16-12	1.250	214
		1202-12-12							---		3/8-16		----	---
1	-12	1201-16-12	3.00	2.82	1.94	2.062	1.031	1.00	.41	1.00	----	1 1/16-12	1.562	219
		1202-16-12							---		3/8-16		----	---
1	-14	1201-16-14	3.00	2.82	1.94	2.062	1.031	1.00	.41	1.00	----	1 3/16-12	1.562	219
		1202-16-14							---		3/8-16		----	---
1	-16	1201-16-16	3.00	2.82	1.94	2.062	1.031	1.00	.41	1.00	----	1 5/16-12	1.562	219
		1202-16-16							---		3/8-16		----	---
1 1/4	-16	1201-20-16	3.50	3.19	2.40	2.312	1.188	1.25	.47	1.25	----	1 5/16-12	1.750	222
		1202-20-16							---		7/16-14		----	---
1 1/4	-20	1201-20-20	3.50	3.19	2.40	2.312	1.188	1.25	.47	1.25	----	1 5/8-12	1.750	222
		1202-20-20							---		7/16-14		----	---
1 1/2	-20	1201-24-20	4.00	3.75	2.90	2.750	1.406	1.50	.53	1.38	----	1 5/8-12	2.125	225
		1202-24-20							---		1/2-13		----	---
1 1/2	-24	1201-24-24	4.00	3.75	2.90	2.750	1.406	1.50	.53	1.38	----	1 7/8-12	2.125	225
		1202-24-24							---		1/2-13		----	---
2	-24	1201-32-24	4.50	4.00	3.00	3.062	1.688	1.94	.53	1.62	----	1 7/8-12	2.500	228
		1202-32-24							---		1/2-13		----	---
2	-32	1201-32-32	4.25	4.00	3.94	3.062	1.688	1.94	.53	1.62	----	2 1/2-12	2.500	228
		1202-32-32							---		1/2-13		----	---

① Included ② The pressure rating of the assembly should not exceed the lower of the flange pad or the fitting. Check the fitting manufacturer for details.

MATERIAL : STEEL
1/07