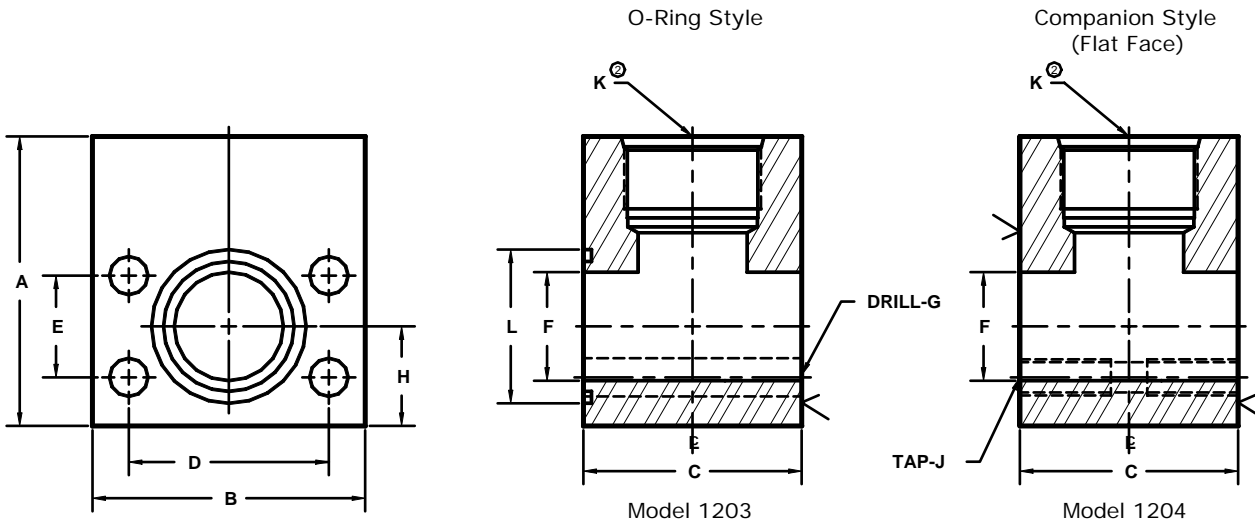


Developers and Manufacturers of Hydraulic Flanges & Components

SAE STRAIGHT THREADED RUN TEE FLANGES

SAE BOLT PATTERN

62 SERIES



FLANGE SIZE	PORT SIZE	PART NUMBER	A	B	C	D	E	F	G	H	J	K	L	O-RING ^①
1/2	-8	1203-08-08	2.00	2.22	1.46	1.594	.718	.50	.34	.88	----	3/4-16	1.000	210
		1204-08-08							---		5/16-18		----	
1/2	-12	1203-08-12	2.75	2.22	1.75	1.595	.718	.50	.34	.88	----	1 1/16-12	1.000	210
		1204-08-12							---		5/16-18		----	
3/4	-8	1203-12-08	2.50	2.81	1.70	2.000	.937	.75	.41	1.00	----	3/4-16	1.250	214
		1204-12-08							---		3/8-16		----	
3/4	-10	1203-12-10	2.50	2.81	1.70	2.000	.937	.75	.41	1.00	----	7/8-14	1.250	214
		1204-12-10							---		3/8-16		----	
3/4	-12	1203-12-12	2.50	2.81	1.70	2.000	.937	.75	.41	1.00	----	1 1/16-12	1.250	214
		1204-12-12							---		3/8-16		----	
1	-12	1203-16-12	3.00	3.19	1.96	2.250	1.093	1.00	.47	1.12	----	1 1/16-12	1.562	219
		1204-16-12							---		7/16-14		----	
1	-14	1203-16-14	3.00	3.19	1.96	2.250	1.093	1.00	.47	1.12	----	1 3/16-12	1.562	219
		1204-16-14							---		7/16-14		----	
1	-16	1203-16-16	3.00	3.19	1.96	2.250	1.093	1.00	.47	1.12	----	1 5/16-12	1.562	219
		1204-16-16							---		7/16-14		----	
1 1/4	-16	1203-20-16	4.00	3.75	2.40	2.625	1.250	1.25	.53	1.38	----	1 5/16-12	1.750	222
		1204-20-16							---		1/2-13		----	
1 1/4	-20	1203-20-20	4.00	3.75	2.40	2.625	1.250	1.25	.53	1.38	----	1 5/8-12	1.750	222
		1204-20-20							---		1/2-13		----	
1 1/2	-20	1203-24-20	4.00	4.50	2.96	3.125	1.437	1.50	.66	1.62	----	1 5/8-12	2.125	225
		1204-24-20							---		5/8-11		----	
1 1/2	-24	1203-24-24	4.00	4.50	2.96	3.125	1.437	1.50	.66	1.62	----	1 7/8-12	2.125	225
		1204-24-24							---		5/8-11		----	
2	-24	1203-32-24	5.00	5.25	3.46	3.812	1.750	1.94	.78	2.00	----	1 7/8-12	2.500	228
		1204-32-24							---		3/4-10		----	
2	-32	1203-32-32	5.00	5.25	3.94	3.812	1.750	1.94	.78	2.00	----	2 1/2-12	2.500	228
		1204-32-32							---		3/4-10		----	

① Included ② The pressure rating of the assembly should not exceed the lower of the flange pad or the fitting. Check the fitting manufacturer for details.

MATERIAL : STEEL
1/07