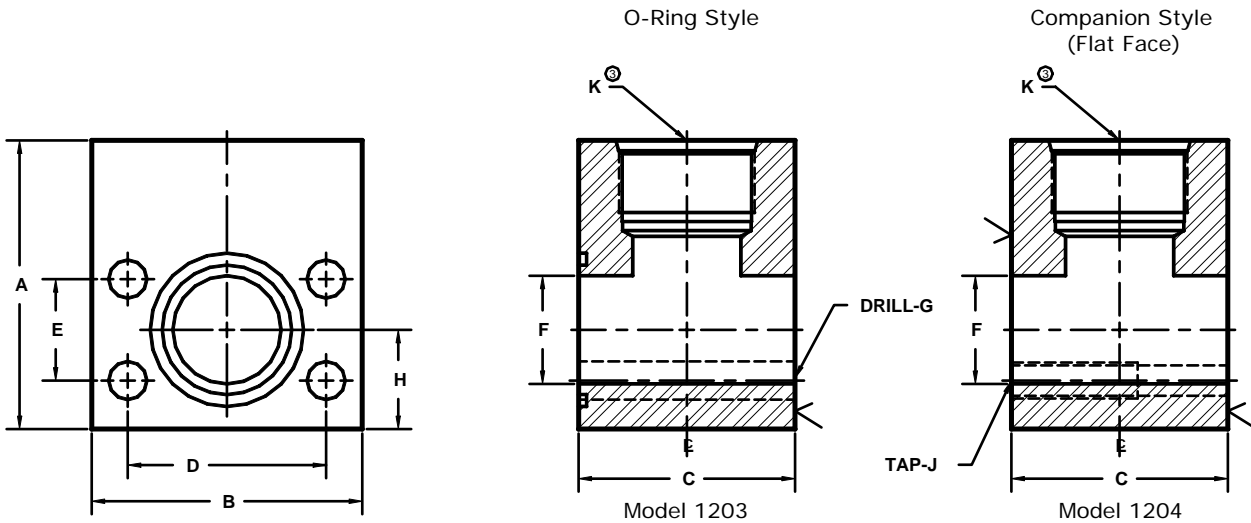


Developers and Manufacturers of Hydraulic Flanges & Components

SAE STRAIGHT THREADED RUN TEE FLANGES

ISO 6162-2 PATTERN / J518 62 SERIES METRIC



FLANGE SIZE		PORT SIZE	PART NUMBER	A	B	C	D	E	F	G	H	J	K	O-RING ^①
13	1/2	-6	1203-08-06M8	51.0	56.5	37.0	40.49	18.24	12.5	8.5	22.4	----	9/16-18	210
			1204-08-06M8				(1.594)	(.718)		---		M8 x 1.25		---
13	1/2	-8	1203-08-08M8	51.0	56.5	37.0	40.49	18.24	12.5	8.5	22.4	----	3/4-16	210
			1204-08-08M8				(1.594)	(.718)		---		M8 x 1.25		---
19	3/4	-8	1203-12-08M10	63.5	71.5	43.0	50.80	23.80	19.0	10.5	25.4	----	3/4-16	214
			1204-12-08M10				(2.000)	(.937)		---		M10 x 1.5		---
19	3/4	-12	1203-12-12M10	63.5	71.5	43.0	50.80	23.80	19.0	10.5	25.4	----	1 1/16-12	214
			1204-12-12M10				(2.000)	(.937)		---		M10 x 1.5		---
25	1	-12	1203-16-12M12	76.0	81.0	50.0	57.15	27.76	25.0	12.5	28.4	----	1 1/16-12	219
			1204-16-12M12				(2.250)	(1.093)		---		M12 x 1.75		---
25	1	-16	1203-16-16M12	76.0	81.0	50.0	57.15	27.76	25.0	12.5	28.4	----	1 5/16-12	219
			1204-16-16M12				(2.250)	(1.093)		---		M12 x 1.75		---
32	1 1/4	-16	1203-20-16M12	101.5	95.5	62.0	66.68	31.75	31.5	13.0	35.0	----	1 5/16-12	222
			1204-20-16M12				(2.625)	(1.250)		---		M12 x 1.75		---
32	1 1/4	-16	1203-20-16M14*	101.5	95.5	62.0	66.68	31.75	31.5	15.0	35.0	----	1 5/16-12	222
			1204-20-16M14*				(2.625)	(1.250)		---		M14 x 2		---
32	1 1/4	-20	1203-20-20M12	101.5	95.5	62.0	66.68	31.75	31.5	13.0	35.0	----	1 5/8-12	222
			1204-20-20M12				(2.625)	(1.250)		---		M12 x 1.75		---
32	1 1/4	-20	1203-20-20M14*	101.5	95.5	62.0	66.68	31.75	31.5	15.0	35.0	----	1 5/8-12	222
			1204-20-20M14*				(2.625)	(1.250)		---		M14 x 2		---
38	1 1/2	-20	1203-24-20M16	101.5	114.5	75.0	79.38	36.50	38.0	17.0	41.1	----	1 5/8-12	225
			1204-24-20M16				(3.125)	(1.437)		---		M16 x 2		---
38	1 1/2	-24	1203-24-24M16	101.5	114.5	75.0	79.38	36.50	38.0	17.0	41.1	----	1 7/8-12	225
			1204-24-24M16				(3.125)	(1.437)		---		M16 x 2		---
51	2	-32	1203-32-32M20	127.0	133.5	100.0	96.82	44.45	49.2	21.0	50.8	----	2 1/2-12	228
			1204-32-32M20				(3.812)	(1.750)		---		M20 x 2.5		---

① Included ③ The pressure rating of the assembly should not exceed the lower of the flange pad or the fitting. Check the fitting manufacturer for details.

MATERIAL : STEEL
1/07

NOTE: DIMENSIONS ARE IN MILLIMETERS. INCH EQUIVALENTS IN ().