

Developers and Manufacturers of Hydraulic Flanges & Components

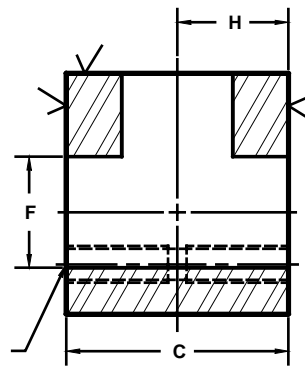
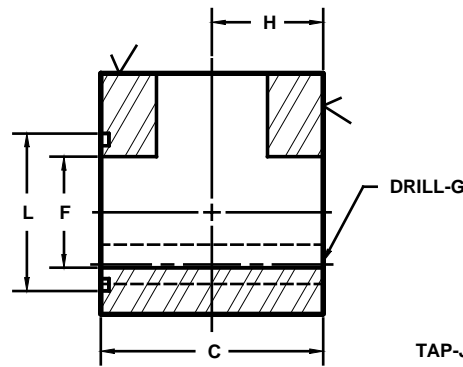
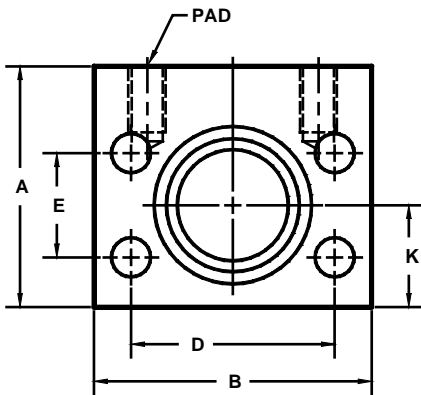
FLANGED RUN TEE FLANGES

SAE BOLT PATTERN

61 SERIES

O-Ring Style

Companion Style
(Flat Face)



Model 1205

Model 1206

FLANGE SIZE	PAD SIZE	PART NUMBER	A	B	C	D	E	F	G	H	J	K	L	O-RING ^①
1/2	1/2	1205-08-08	2.00	2.12	2.00	1.500	.688	.50	.34	.91	----	.78	1.000	210
		----							----				----	
1/2	3/4	1205-08-12	2.50	2.62	2.25	1.500	.688	.50	.34	1.03	----	1.03	1.000	210
		----							----				----	
3/4	3/4	1205-12-12	2.50	2.62	2.25	1.875	.875	.75	.41	1.03	----	1.03	1.250	214
		----							----				----	
3/4	1	1205-12-16	2.50	2.82	2.50	1.875	.875	.75	.41	1.25	----	1.03	1.250	214
		----							----				----	
1	1	1205-16-16	2.50	2.82	2.50	2.062	1.031	1.00	.41	1.16	----	1.09	1.562	219
		----							----				----	
1	1 1/4	1205-16-20	3.00	3.25	3.00	2.062	1.031	1.00	.41	1.44	----	1.09	1.562	219
		----							----				----	
1 1/4	3/4	1205-20-12	3.00	3.19	3.00	2.312	1.188	1.25	.47	1.50	----	1.31	1.750	222
		1206-20-12							----				7/16-14	----
1 1/4	1	1205-20-16	3.00	3.19	3.00	2.312	1.188	1.25	.47	1.50	----	1.31	1.750	222
		1206-20-16							----				7/16-14	----
1 1/4	1 1/4	1205-20-20	3.00	3.19	3.00	2.312	1.188	1.25	.47	1.44	----	1.31	1.750	222
		----							----				----	----
1 1/4	1 1/2	1205-20-24	3.50	3.75	3.50	2.312	1.188	1.25	.47	1.62	----	1.38	1.750	222
		----							----				----	----
1 1/2	1	1205-24-16	4.00	3.75	3.00	2.750	1.406	1.50	.53	1.50	----	1.38	2.125	225
		1206-24-16							----				1/2-13	----
1 1/2	1 1/4	1205-24-20	4.00	3.75	3.00	2.750	1.406	1.50	.53	1.50	----	1.38	2.125	225
		1206-24-20							----				1/2-13	----
1 1/2	1 1/2	1205-24-24	3.50	3.75	3.50	2.750	1.406	1.50	.53	1.62	----	1.62	2.125	225
		----							----				----	----
1 1/2	2	1205-24-32	3.50	4.00	4.00	2.750	1.406	1.50	.53	1.91	----	1.62	2.125	225
		----							----				----	----

① Included

MATERIAL : STEEL

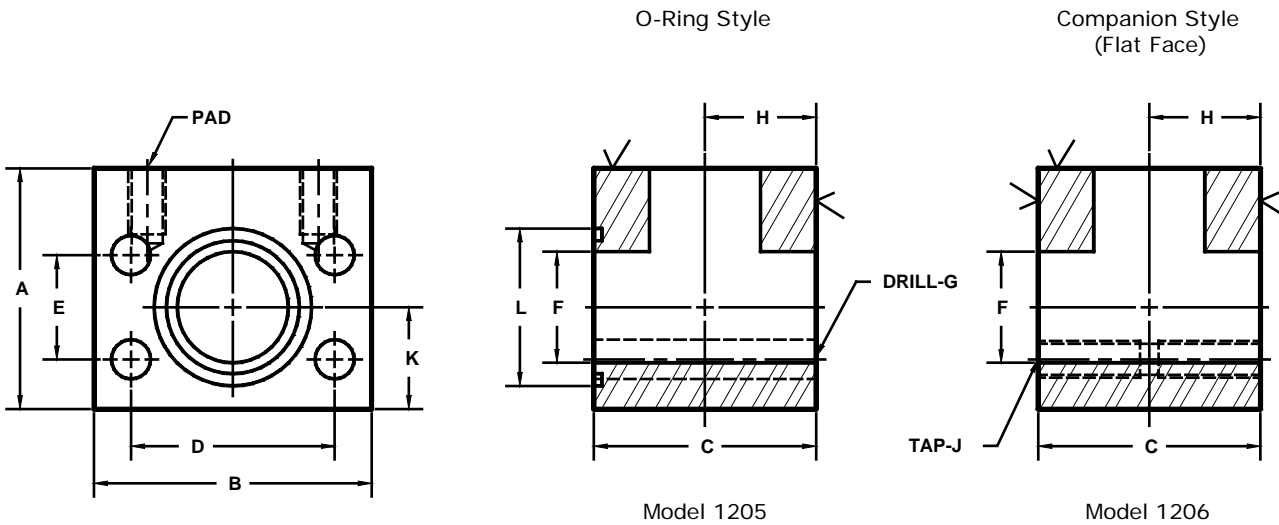
1/07

Developers and Manufacturers of
Hydraulic Flanges & Components

FLANGED RUN TEE FLANGES

SAE BOLT PATTERN

61 SERIES



FLANGE SIZE	PAD SIZE	PART NUMBER	A	B	C	D	E	F	G	H	J	K	L	O-RING ^①
2	1 1/4	1205-32-20	4.50	4.00	3.00	3.062	1.688	1.94	.53	1.44	-----	1.62	2.500	228
		1206-32-20							---				1/2-13	----
2	1 1/2	1205-32-24	4.00	4.00	4.00	3.062	1.688	1.94	.53	1.91	-----	1.91	2.500	228
		1206-32-24							---				1/2-13	----
2	2	1205-32-32	4.00	4.00	4.00	3.062	1.688	1.94	.53	1.91	-----	1.91	2.500	228
2 ^②	2 1/2	1205-32-40	4.00	4.50	4.50	3.062	1.688	1.94	.53	2.14	-----	1.62	2.500	228
2 1/2 ^②	2	1205-40-32	4.50	4.50	4.50	3.500	2.000	2.44	.53	2.14	-----	2.25	3.000	232
		1206-40-32							---				1/2-13	----
2 1/2 ^②	2 1/2	1205-40-40	4.50	4.50	4.50	3.500	2.000	2.44	.53	2.14	-----	2.25	3.000	232
		-----							---				-----	----
2 1/2 ^③	3	1205-40-48	5.00	5.50	5.50	3.500	2.000	2.44	.53	2.58	-----	2.00	3.000	232
		-----							---				-----	----
3 ^③	2	1205-48-32	5.00	5.31	4.00	4.188	2.438	2.94	.66	1.91	-----	2.25	3.625	237
		1206-48-32							---				5/8-11	----
3 ^③	2 1/2	1205-48-40	5.50	5.31	5.50	4.188	2.438	2.94	.66	2.58	-----	2.75	3.625	237
		1206-48-40							---				5/8-11	----
3 ^③	3	1205-48-48	5.50	5.31	5.50	4.188	2.438	2.94	.66	2.58	-----	2.75	3.625	237
		-----							---				-----	----
3 1/2 ^④	3 1/2	1205-56-56	6.00	6.00	6.00	4.750	2.750	3.44	.66	3.00	-----	2.75	4.109	241
		-----							---				-----	----
4 ^④	3	1205-64-48	6.00	6.38	6.00	5.125	3.062	3.94	.66	3.00	-----	2.75	4.609	245
		1206-64-48							---				5/8-11	----
4 ^④	4	1205-64-64	7.00	6.38	7.00	5.125	3.062	3.94	.66	3.00	-----	3.50	4.609	245
		-----							---				-----	----
5 ^④	5	1205-80-80	8.00	7.25	8.00	6.000	3.625	4.94	.66	3.56	-----	3.56	5.609	253
		-----							---				-----	----

① Included ② 2500 PSI Max ③ 2000 PSI Max ④ 500 PSI Max

MATERIAL : STEEL
1/07