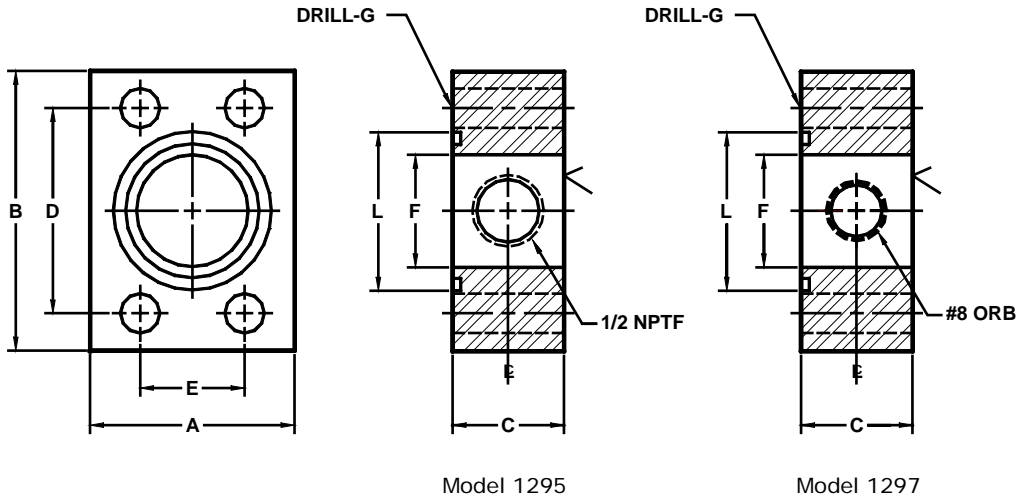


Developers and Manufacturers of
Hydraulic Flanges & Components

GAUGE PORT ADAPTER

SAE BOLT PATTERN

61 SERIES



FLANGE SIZE	PART NUMBER	A	B	C	D	E	F	G	L	O-RING NO.①	
1/2	1295-08-08	USE 1197-08-08								210	
	1297-08-08	USE 1201-08-08									
3/4	1295-12-12	USE 1197-12-08								214	
	1297-12-12	USE 1201-12-08									
1	1295-16-16	2.00	2.82	1.50	2.062	1.031	1.00	.41	1.562	219	
	1297-16-16										
1 1/4	1295-20-20	2.50	3.19	1.50	2.312	1.188	1.25	.47	1.750	222	
	1297-20-20										
1 1/2	1295-24-24	2.75	3.75	1.50	2.750	1.406	1.50	.53	2.125	225	
	1297-24-24										
2	1295-32-32	3.25	4.00	1.50	3.062	1.688	1.94	.53	2.500	228	
	1297-32-32										
2 1/2 ^②	1295-40-40	4.00	4.50	1.75	3.500	2.000	2.44	.53	3.000	232	
	1297-40-40										
3 ^③	1295-48-48	4.50	5.31	2.00	4.188	2.438	2.94	.66	3.625	237	
	1297-48-48										

① Included ② 2500 PSI Max. ③ 2000 PSI Max.

MATERIAL : STEEL
1/07