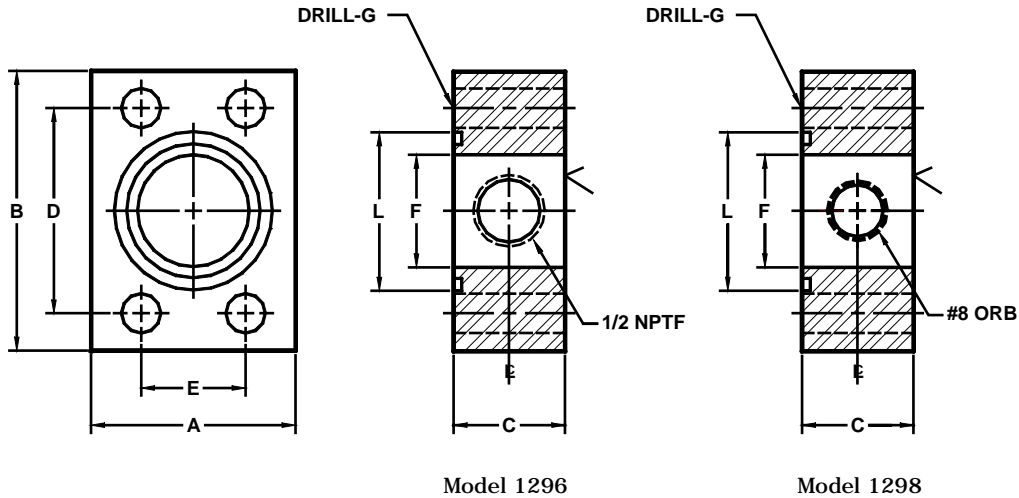


Developers and Manufacturers of
Hydraulic Flanges & Components

GAUGE PORT ADAPTER

SAE BOLT PATTERN

62 SERIES



FLANGE SIZE	PART NUMBER	A	B	C	D	E	F	G	L	O-RING NO.①	
1/2	1296-08-08	USE 1199-08-08								210	
	1298-08-08	USE 1203-08-08									
3/4	1296-12-12	USE 1199-12-08								214	
	1298-12-12	USE 1203-12-08									
1	1296-16-16	2.25	3.19	1.50	2.250	1.093	1.00	.47	1.562	219	
	1298-16-16										
1 1/4	1296-20-20	3.00	3.75	1.50	2.625	1.250	1.25	.53	1.750	222	
	1298-20-20										
1 1/2	1296-24-24	3.25	4.50	1.50	3.125	1.437	1.50	.66	2.125	225	
	1298-24-24										
2	1296-32-32	4.00	5.25	1.75	3.812	1.750	1.94	.78	2.500	228	
	1298-32-32										
2 1/2 ^②	1296-40-40	5.00	6.88	2.00	4.875	2.312	2.44	.94	3.000	232	
	1298-40-40										
3 ^②	1296-48-48	6.00	8.50	2.00	6.000	2.812	2.94	1.19	3.625	237	
	1298-48-48										

① Included ② Not included in SAE J518 specifications

MATERIAL : STEEL
1/07