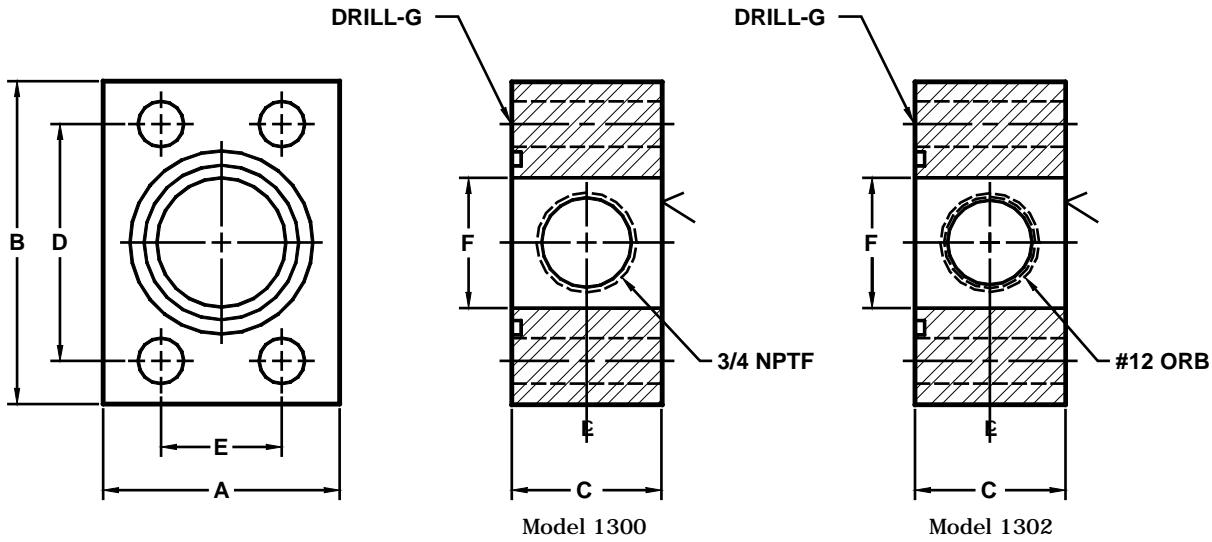


Developers and Manufacturers of Hydraulic Flanges & Components

GAUGE PORT ADAPTER

ISO 6162-2 PATTERN / J518 62 SERIES METRIC



| FLANGE SIZE | | PART NUMBER | A | B | C | D | E | F | G | O-RING NO.① |
|-----------------|-------|----------------|-------------------|-------|------|-------------------|------------------|------|------|-------------|
| 13 | 1/2 | 1300-08-08M8 | USE 1199-08-12M8 | | | | | | | 210 |
| | | 1302-08-08M8 | USE 1203-08-12M8 | | | | | | | |
| 19 | 3/4 | 1300-12-12M10 | USE 1199-12-12M10 | | | | | | | 214 |
| | | 1302-12-12M10 | USE 1203-12-12M10 | | | | | | | |
| 25 | 1 | 1300-16-16M12 | USE 1199-16-12M12 | | | | | | | 219 |
| | | 1302-16-16M12 | USE 1203-16-12M12 | | | | | | | |
| 32 | 1 1/4 | 1300-20-20M12* | 76.0 | 95.5 | 44.0 | 66.68 (2.625) | 31.75 (1.250) | 31.5 | 13.0 | 222 |
| | | 1302-20-20M12* | | | | | | | | |
| 38 | 1 1/2 | 1300-24-24M16 | 82.5 | 114.5 | 44.0 | 79.38 (3.125) | 36.50 (1.437) | 38.0 | 17.0 | 225 |
| | | 1302-24-24M16 | | | | | | | | |
| 51 | 2 | 1300-32-32M20 | 101.5 | 133.5 | 44.0 | 96.82 (3.812) | 44.45 (1.750) | 49.2 | 21.0 | 228 |
| | | 1302-32-32M20 | | | | | | | | |
| 64 ^② | 2 1/2 | 1300-40-40M24 | 127.0 | 175.0 | 50.5 | 123.82 (4.875) | 58.72 (2.312) | 62.0 | 25.5 | 232 |
| | | 1302-40-40M24 | | | | | | | | |
| 76 ^② | 3 | 1300-48-48M30 | 152.5 | 216.0 | 50.5 | 152.40 (6.000) | 71.42 (2.812) | 74.6 | 32.0 | 237 |
| | | 1302-48-48M30 | | | | | | | | |

① Included ② Not included in ISO 6162 / J518 specifications

*Also available for M14 bolts

MATERIAL : STEEL

1/07

NOTE: DIMENSIONS ARE IN MILLIMETERS. INCH EQUIVALENTS IN ().