

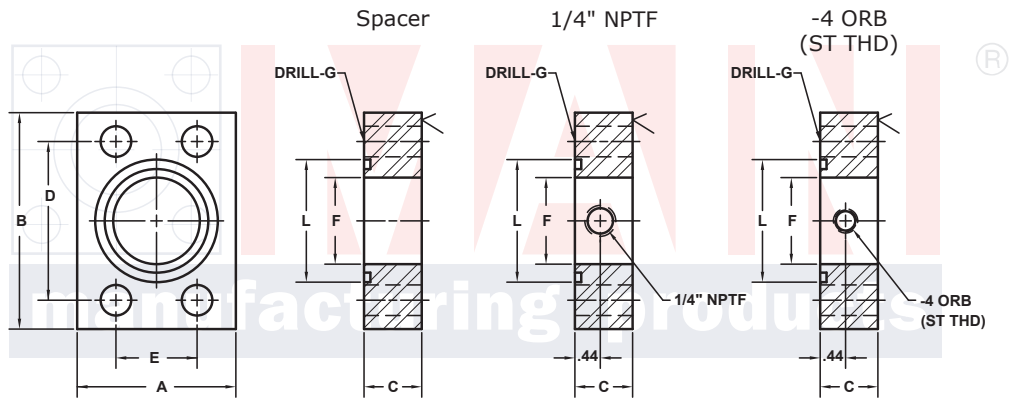
SPACERS AND GAUGE PORT ADAPTERS

1/4" GAUGE PORTS

SAE J518 61 SERIES / ISO6162-1 PATTERN

FLANGE SIZE	PIPE SIZE	PART NUMBER	A	B	C	D	E	F	Gmm	L	O-RING ^①	WT
1/2	NA	1303-08-08M8	1.50	2.12	1.00	1.500	.688	.50	8.5	1.000	210	.7
		2303-08-08M8										
		3303-08-08M8										
3/4	NA	1303-12-12M10	1.75	2.62	1.00	1.875	.875	.75	10.5	1.250	214	1.0
		2303-12-12M10										
		3303-12-12M10										
1	NA	1303-16-16M10	2.00	2.82	1.00	2.062	1.031	1.00	10.5	1.562	219	1.1
		2303-16-16M10										
		3303-16-16M10										
1 1/4	NA	1303-20-20M10†	2.50	3.19	1.00	2.312	1.188	1.25	10.5	1.750	222	1.6
		2303-20-20M10†										
		3303-20-20M10†										
1 1/2	NA	1303-24-24M12‡	2.75	3.75	1.00	2.750	1.406	1.50	13.0	2.125	225	2.0
		2303-24-24M12‡										
		3303-24-24M12‡										
2	NA	1303-32-32M12‡	3.25	4.00	1.00	3.062	1.688	1.94	13.0	2.500	228	2.4
		2303-32-32M12‡										
		3303-32-32M12‡										
2 1/2 ^②	NA	1303-40-40M12‡	4.00	4.50	1.00	3.500	2.000	2.44	13.0	3.000	232	3.3
		2303-40-40M12‡										
		3303-40-40M12‡										
3 ^③	NA	1303-48-48M16	4.50	5.31	1.00	4.188	2.438	2.94	17.0	3.625	237	4.1
		2303-48-48M16										
		3303-48-48M16										

MATERIAL:
Low Carbon Steel^⑤



3181 TRI-PARK DR. GRAND BLANC, MI 48439 800-521-7918 810-953-1380 FAX 810-953-1385 INFO@MAINMFG.COM

SAE J518 62 SERIES / ISO6162-2 PATTERN

FLANGE SIZE	PIPE SIZE	PART NUMBER	A	B	C	D	E	F	Gmm	L	O-RING ^①	WT
1/2	NA	1305-08-08M8	1.75	2.22	1.00	1.594	.718	.50	8.5	1.000	210	.8
		2305-08-08M8										
		3305-08-08M8										
3/4	NA	1305-12-12M10	2.00	2.81	1.00	2.000	.937	.75	10.5	1.250	214	1.2
		2305-12-12M10										
		3305-12-12M10										
1	NA	1305-16-16M12	2.25	3.19	1.00	2.250	1.093	1.00	12.5	1.562	219	1.5
		2305-16-16M12										
		3305-16-16M12										
1 1/4	NA	1305-20-20M12‡	2.75	3.75	1.00	2.625	1.250	1.25	13.0	1.750	222	2.2
		2305-20-20M12‡										
		3305-20-20M12‡										
1 1/2	NA	1305-24-24M16	3.25	4.50	1.00	3.125	1.437	1.50	17.0	2.125	225	3.1
		2305-24-24M16										
		3305-24-24M16										
2	NA	1305-32-32M20	4.00	5.25	1.00	3.812	1.750	1.94	21.0	2.500	228	4.3
		2305-32-32M20										
		3305-32-32M20										

① Includes Buna-N O-Ring ② 2500 PSI Max ③ 2000 PSI Max

⑤ May Contain Lead

NOTE: DIMENSIONS ARE IN INCHES UNLESS OTHERWISE NOTED. † Also Available for M12 Bolts ‡ Also Available for M14 Bolts

© Copyright MAIN Mfg. 2017