

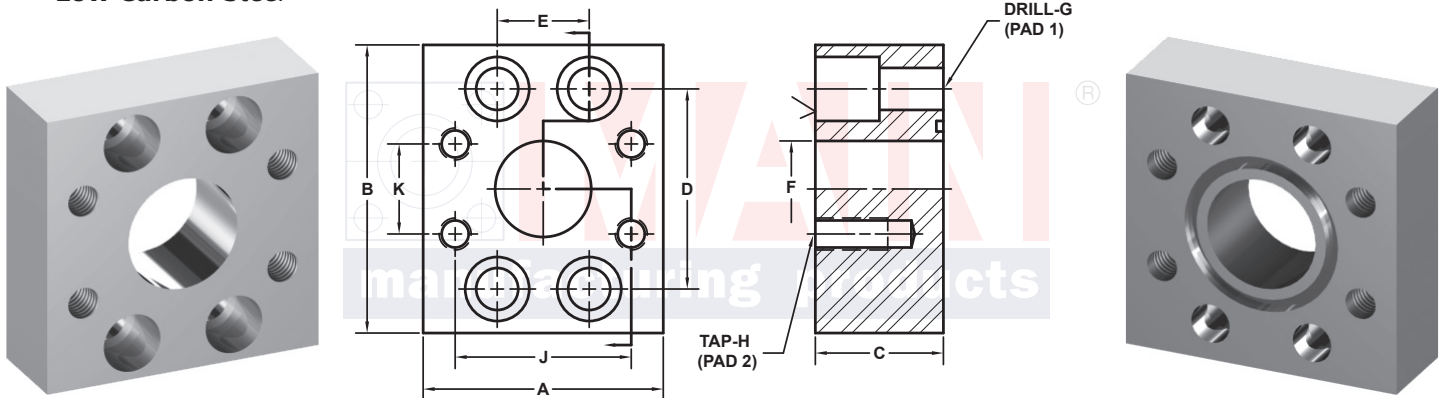
# FLANGE ADAPTERS

AVAILABLE AS PAD ROTATORS, REDUCERS AND INCREASERS (Not shown)

SAE J518 / ISO6162 BOLT PATTERN													61 SERIES® TO 62 SERIES				
PAD 1 C61	PAD 2 C62	PART NUMBER	A	B	C	D	E	F	Gmm	Hmm	J	K	MOUNTING KIT®				
													PART NO.	SCREW SIZE	O-RING		
1/2	1/2	1315-08M8-08M8	2.25	2.25	1.00	1.500	.688	.50	8.5	M8x1.25	1.594	.718	MKM 564	M8 x 25	210		
3/4	1/2	1315-12M-08M8	2.25	2.75	1.75	1.875	.875	.50	10.5	M8x1.25	1.594	.718	MKM 502	M10 x 40	214		
3/4	3/4	1315-12M-12M	2.81	2.75	1.00	1.875	.875	.75	10.5	M10x1.5	2.000	.937	MKM 5572	M10 x 25	214		
1	1/2	1315-16M-08M8	2.25	3.00	1.75	2.062	1.031	.50	10.5	M8x1.25	1.594	.718	MKM 503	M10 x 40	219		
1	3/4	1315-16M-12M	2.81	3.00	1.75	2.062	1.031	.75	10.5	M10x1.5	2.000	.937	MKM 503	M10 x 40	219		
1	1	1315-16M-16M	3.19	3.00	1.25	2.062	1.031	1.00	10.5	M12x1.75	2.250	1.093	MKM 2535	M10 x 30	219		
1 1/4	3/4	1315-20M-12M	2.81	3.25	1.75	2.312	1.188	.75	10.5	M10x1.5	2.000	.937	MKM 3524	M10 x 40	222		
1 1/4	1	1315-20M-16M	3.19	3.25	1.75	2.312	1.188	1.00	10.5	M12x1.75	2.250	1.093	MKM 3524	M10 x 40	222		
1 1/4	1 1/4	1315-20M-20M†	3.75	3.25	1.25	2.312	1.188	1.25	10.5	M12x1.75	2.625	1.250	MKM 2567	M10 x 30	222		
1 1/2	1	1315-24M†-16M	3.19	3.75	1.75	2.750	1.406	1.00	13.0	M12x1.75	2.250	1.093	MKM 2599	M12 x 45	225		
1 1/2	1 1/4	1315-24M†-20M†	3.75	3.75	1.75	2.750	1.406	1.25	13.0	M12x1.75	2.625	1.250	MKM 2599	M12 x 45	225		
1 1/2	1 1/2	1315-24M†-24M	4.50	3.75	1.50	2.750	1.406	1.50	13.0	M16x2	3.125	1.437	MKM 3535	M12 x 35	225		

MATERIAL:

Low Carbon Steel<sup>®</sup>



NOTE: Model 1315, shown, is O-Ring Face by Flat Face. Model 1316, see page 64, is Flat Face by Flat Face.

3181 TRI-PARK DR. GRAND BLANC, MI 48439 800-521-7918 810-953-1380 FAX 810-953-1385 INFO@MAINMFG.COM

SAE J518 / ISO6162 BOLT PATTERN													61 SERIES® TO 62 SERIES				
PAD 1 C61	PAD 2 C62	PART NUMBER	A	B	C	D	E	F	Gmm	Hmm	J	K	MOUNTING KIT®				
													PART NO.	SCREW SIZE	O-RING		
2	1 1/4	1315-32M†-20M†	3.75	4.00	2.00	3.062	1.688	1.25	13.0	M12x1.75	2.625	1.250	MKM 4513	M12 x 45	228		
2	1 1/2	1315-32M†-24M	4.50	4.00	1.50	3.062	1.688	1.50	13.0	M16x2	3.125	1.437	MKM 3537	M12 x 35	228		
2	2	1315-32M†-32M	5.25	4.00	1.75	3.062	1.688	1.94	13.0	M20x2.5	3.812	1.750	MKM 4513	M12 x 45	228		
2 1/2 <sup>②</sup>	1 1/2	1315-40M†-24M	4.50	4.50	2.25	3.500	2.000	1.50	13.0	M16x2	3.125	1.437	MKM 4511	M12 x 60	232		
2 1/2 <sup>②</sup>	2	1315-40M†-32M	5.25	4.50	1.75	3.500	2.000	1.94	13.0	M20x2.5	3.812	1.750	MKM 3562	M12 x 45	232		
2 1/2 <sup>②</sup>	2 1/2	1315-40M†-40M	6.88	5.00	2.00	3.500	2.000	2.44	13.0	M24x3	4.875	2.312	MKM 2575	M12 x 50	232		
3 <sup>③</sup>	2	1315-48M-32M	5.25	5.50	2.50	4.188	2.438	1.94	17.0	M20x2.5	3.812	1.750	MKM 585	M16 x 60	237		
3 <sup>③</sup>	2 1/2	1315-48M-40M	6.88	5.50	2.00	4.188	2.438	2.44	17.0	M24x3	4.875	2.312	MKM 1511	M16 x 50	237		
3 <sup>③</sup>	3	1315-48M-48M	8.50	6.00	2.50	4.188	2.438	2.94	17.0	M30x3.5	6.000	2.812	MKM 585	M16 x 60	237		

① Order Separately

② 2500 PSI Max

③ 2000 PSI Max

⑤ May Contain Lead

⑥ CAUTION: Flange Adapter Pressure Rating CANNOT Exceed 61 Series Pad Connection.

NOTE: DIMENSIONS ARE IN INCHES UNLESS OTHERWISE NOTED. † Also Available for M12 Bolts ‡ Also Available for M14 Bolts

© Copyright MAIN Mfg. 2017