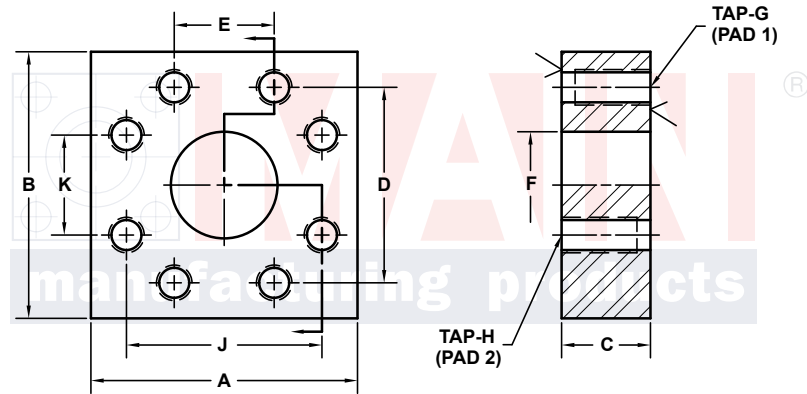
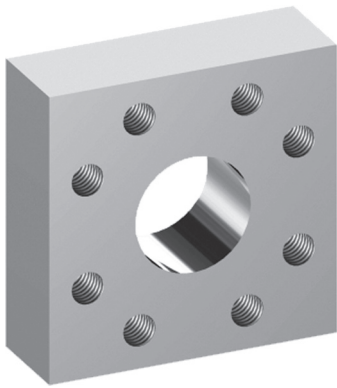


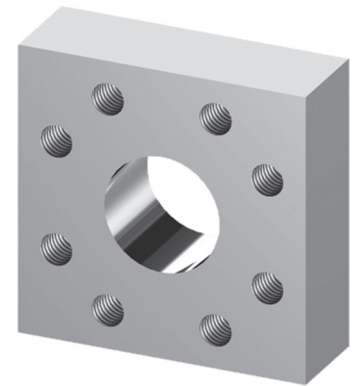
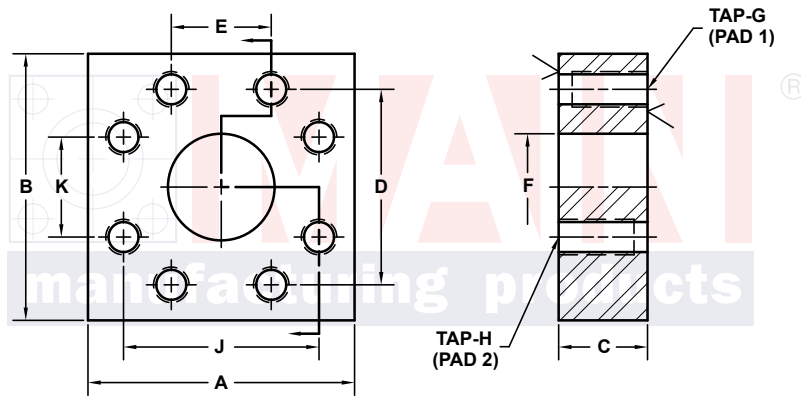
FLANGE ADAPTERS



3181 TRI-PARK DR. GRAND BLANC, MI 48439 800-521-7918 810-953-1380 FAX 810-953-1385 INFO@MAINMFG.COM

SAE BOLT PATTERN				61 SERIES TO 61 SERIES									
PAD 1 C61	PAD 2 C61	PART NUMBER	A	B	C	D	E	F	G	H	J	K	
1/2	1/2	1318-08-08	2.25	2.25	1.00	1.500	.688	.50	5/16-18	5/16-18	1.500	.688	
3/4	3/4	1318-12-12	2.75	2.75	1.00	1.875	.875	.75	3/8-16	3/8-16	1.875	.875	
3/4	1/2	1318-12-08	2.25	2.75	1.75	1.875	.875	.50	3/8-16	5/16-18	1.500	.688	
1	1	1318-16-16	3.00	3.00	1.25	2.062	1.031	1.00	3/8-16	3/8-16	2.062	1.031	
1	3/4	1318-16-12	2.75	3.00	1.75	2.062	1.031	.75	3/8-16	3/8-16	1.875	.875	
1	1/2	1318-16-08	2.25	3.00	1.75	2.062	1.031	.50	3/8-16	5/16-18	1.500	.688	
1 1/4	1 1/4	1318-20-20	3.25	3.25	1.25	2.312	1.188	1.25	7/16-14	7/16-14	2.312	1.188	
1 1/4	1	1318-20-16	2.81	3.25	1.75	2.312	1.188	1.00	7/16-14	3/8-16	2.062	1.031	
1 1/4	3/4	1318-20-12	2.75	3.25	1.75	2.312	1.188	.75	7/16-14	3/8-16	1.875	.875	
1 1/4	1/2	1318-20-08	2.50	3.25	1.75	2.312	1.188	.50	7/16-14	5/16-18	1.500	.688	
1 1/2	1 1/2	1318-24-24	3.75	3.75	1.25	2.750	1.406	1.50	1/2-13	1/2-13	2.750	1.406	
1 1/2	1 1/4	1318-24-20	3.25	3.75	2.00	2.750	1.406	1.25	1/2-13	7/16-14	2.312	1.188	
1 1/2	1	1318-24-16	2.75	3.75	1.75	2.750	1.406	1.00	1/2-13	3/8-16	2.062	1.031	
1 1/2	3/4	1318-24-12	2.75	3.75	1.75	2.750	1.406	.75	1/2-13	3/8-16	1.875	.875	
1 1/2	1/2	1318-24-08	2.75	3.75	1.75	2.750	1.406	.50	1/2-13	5/16-18	1.500	.688	

FLANGE ADAPTERS

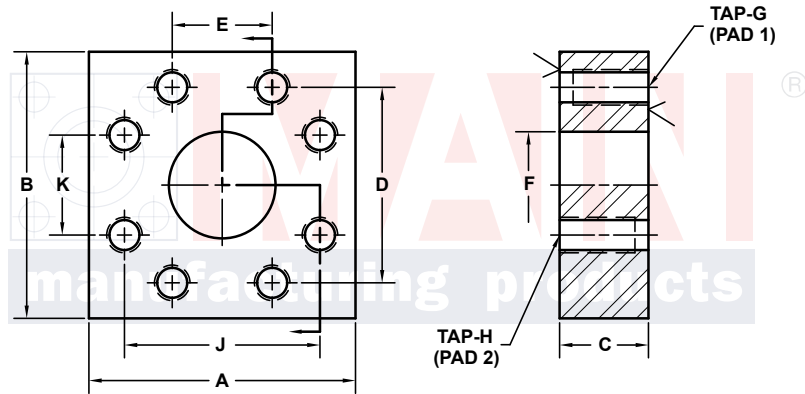
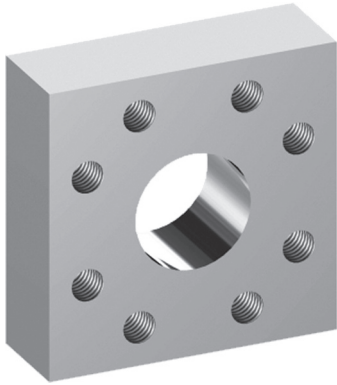


3181 TRI-PARK DR. GRAND BLANC, MI 48439 800-521-7918 810-953-1380 FAX 810-953-1385 INFO@MAINMFG.COM

SAE BOLT PATTERN			61 SERIES TO 61 SERIES										
PAD 1 C61	PAD 2 C61	PART NUMBER	A	B	C	D	E	F	G	H	J	K	
2	2	1318-32-32	4.00	4.00	1.25	3.062	1.688	1.94	1/2-13	1/2-13	3.062	1.688	
2	1½	1318-32-24	3.75	4.00	2.00	3.062	1.688	1.50	1/2-13	1/2-13	2.750	1.406	
2	1¼	1318-32-20	3.25	4.00	2.00	3.062	1.688	1.25	1/2-13	7/16-14	2.312	1.188	
2	1	1318-32-16	3.25	4.00	1.75	3.062	1.688	1.00	1/2-13	3/8-16	2.062	1.031	
2	¾	1318-32-12	3.25	4.00	1.75	3.062	1.688	.75	1/2-13	3/8-16	1.875	.875	
2	½	1318-32-08	3.25	4.00	1.75	3.062	1.688	.50	1/2-13	5/16-18	1.500	.688	
2½ ^①	2½	1318-40-40	4.50	4.50	1.50	3.500	2.000	2.44	1/2-13	1/2-13	3.500	2.000	
2½ ^①	2	1318-40-32	4.00	4.50	2.00	3.500	2.000	1.94	1/2-13	1/2-13	3.062	1.688	
2½ ^①	1½	1318-40-24	4.00	4.50	2.00	3.500	2.000	1.50	1/2-13	1/2-13	2.750	1.406	
2½ ^①	1¼	1318-40-20	4.00	4.50	2.00	3.500	2.000	1.25	1/2-13	7/16-14	2.312	1.188	
2½ ^①	1	1318-40-16	4.00	4.50	1.75	3.500	2.000	1.00	1/2-13	3/8-16	2.062	1.031	
2½ ^①	¾	1318-40-12	4.00	4.50	1.75	3.500	2.000	.75	1/2-13	3/8-16	1.875	.875	
2½ ^①	½	1318-40-08	4.00	4.50	1.75	3.500	2.000	.50	1/2-13	5/16-18	1.500	.688	
3 ^②	3	1318-48-48	5.50	5.50	1.75	4.188	2.438	2.94	5/8-11	5/8-11	4.188	2.438	
3 ^②	2½	1318-48-40	4.50	5.50	2.25	4.188	2.438	2.44	5/8-11	1/2-13	3.500	2.000	
3 ^②	2	1318-48-32	4.50	5.31	2.00	4.188	2.438	1.94	5/8-11	1/2-13	3.062	1.688	
3 ^②	1½	1318-48-24	4.50	5.31	2.00	4.188	2.438	1.50	5/8-11	1/2-13	2.750	1.406	
3 ^②	1¼	1318-48-20	4.50	5.31	2.00	4.188	2.438	1.25	5/8-11	7/16-14	2.312	1.188	
3 ^②	1	1318-48-16	4.50	5.31	2.00	4.188	2.438	1.00	5/8-11	3/8-16	2.062	1.031	

① 2500 PSI Max ② 2000 PSI Max

FLANGE ADAPTERS



3181 TRI-PARK DR. GRAND BLANC, MI 48439 800-521-7918 810-953-1380 FAX 810-953-1385 INFO@MAINMFG.COM

SAE BOLT PATTERN				61 SERIES TO 61 SERIES									
PAD 1 C61	PAD 2 C61	PART NUMBER	A	B	C	D	E	F	G	H	J	K	
3½ ^③	3½	1318-56-56	6.00	6.00	2.00	4.750	2.750	3.44	5/8-11	5/8-11	4.750	2.750	
3½ ^③	3	1318-56-48	5.50	6.00	2.25	4.750	2.750	2.94	5/8-11	5/8-11	4.188	2.438	
3½ ^③	2½	1318-56-40	5.00	6.00	2.25	4.750	2.750	2.44	5/8-11	1/2-13	3.500	2.000	
3½ ^③	2	1318-56-32	5.00	6.00	2.25	4.750	2.750	1.94	5/8-11	1/2-13	3.062	1.688	
3½ ^③	1½	1318-56-24	5.00	6.00	2.25	4.750	2.750	1.50	5/8-11	1/2-13	2.750	1.406	
4 ^③	4	1318-64-64	6.38	6.50	2.00	5.125	3.062	3.94	5/8-11	5/8-11	5.125	3.062	
4 ^③	3½	1318-64-56	6.00	6.38	2.25	5.125	3.062	3.44	5/8-11	5/8-11	4.750	2.750	
4 ^③	3	1318-64-48	5.50	6.38	2.25	5.125	3.062	2.94	5/8-11	5/8-11	4.188	2.438	
4 ^③	2½	1318-64-40	5.50	6.38	2.25	5.125	3.062	2.44	5/8-11	1/2-13	3.500	2.000	
4 ^③	2	1318-64-32	5.50	6.38	2.25	5.125	3.062	1.94	5/8-11	1/2-13	3.062	1.688	
4 ^③	1½	1318-64-24	5.50	6.38	2.25	5.125	3.062	1.50	5/8-11	1/2-13	2.750	1.406	
5 ^③	5	1318-80-80	7.25	7.25	2.00	6.000	3.625	4.94	5/8-11	5/8-11	6.000	3.625	
5 ^③	4	1318-80-64	7.00	7.25	2.25	6.000	3.625	3.94	5/8-11	5/8-11	5.125	3.062	
5 ^③	3½	1318-80-56	7.00	7.25	2.25	6.000	3.625	3.44	5/8-11	5/8-11	4.750	2.750	
5 ^③	3	1318-80-48	7.00	7.25	2.25	6.000	3.625	2.94	5/8-11	5/8-11	4.188	2.438	

③ 500 PSI Max