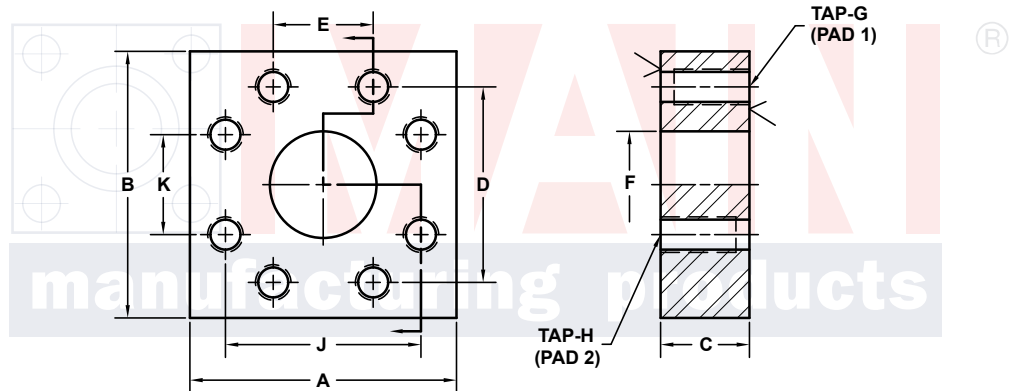
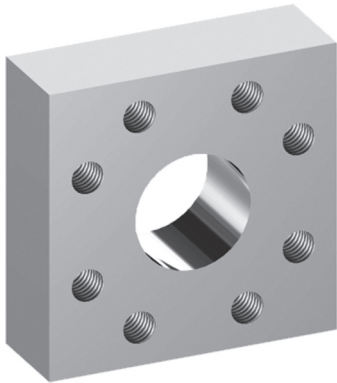


# CONNECTOR BLOCKS - FA STYLE

AVAILABLE AS PAD ROTATORS AND REDUCERS (Not shown)

SAE J518 / ISO6162 BOLT PATTERN						61 SERIES TO 61 SERIES							
PAD 1 C61	PAD 2 C61	PART NUMBER	A	B	C	D	E	F	Gmm	Hmm	J	K	
1/2	1/2	1318-08M8-08M8	2.25	2.25	1.00	1.500	.688	.50	M8x1.25	M8x1.25	1.500	.688	
3/4	3/4	1318-12M-12M	2.75	2.75	1.00	1.875	.875	.75	M10x1.5	M10x1.5	1.875	.875	
1	1	1318-16M-16M	3.00	3.00	1.25	2.062	1.031	1.00	M10x1.5	M10x1.5	2.062	1.031	
1 1/4	1 1/4	1318-20M†-20M†	3.25	3.25	1.25	2.312	1.188	1.25	M10x1.5	M10x1.5	2.312	1.188	
1 1/2	1 1/2	1318-24M‡-24M‡	3.75	3.75	1.25	2.750	1.406	1.50	M12x1.75	M12x1.75	2.750	1.406	
2	2	1318-32M‡-32M‡	4.00	4.00	1.25	3.062	1.688	1.94	M12x1.75	M12x1.75	3.062	1.688	
2 1/2 <sup>②</sup>	2 1/2	1318-40M‡-40M‡	4.50	4.50	1.50	3.500	2.000	2.44	M12x1.75	M12x1.75	3.500	2.000	
3 <sup>③</sup>	3	1318-48M-48M	5.50	5.50	1.75	4.188	2.438	2.94	M16x2	M16x2	4.188	2.438	

MATERIAL:  
Low Carbon Steel<sup>⑤</sup>



3181 TRI-PARK DR. GRAND BLANC, MI 48439 800-521-7918 810-953-1380 FAX 810-953-1385 INFO@MAINMFG.COM

SAE J518 / ISO6162 BOLT PATTERN						62 SERIES TO 62 SERIES							
PAD 1 C62	PAD 2 C62	PART NUMBER	A	B	C	D	E	F	Gmm	Hmm	J	K	
1/2	1/2	1342-08M8-08M8	2.25	2.25	1.00	1.594	.718	.50	M18x1.25	M8x1.25	1.594	.718	
3/4	3/4	1342-12M-12M	3.00	3.00	1.00	2.000	.937	.75	M10x1.5	M10x1.5	2.000	.937	
1	1	1342-16M-16M	3.25	3.25	1.25	2.250	1.093	1.00	M12x1.75	M12x1.75	2.250	1.093	
1 1/4	1 1/4	1342-20M‡-20M‡	3.75	3.75	1.25	2.625	1.250	1.25	M12x1.75	M12x1.75	2.625	1.250	
1 1/2	1 1/2	1342-24M-24M	4.50	4.50	1.75	3.125	1.437	1.50	M16x2	M16x2	3.125	1.437	
2	2	1342-32M-32M	5.25	5.25	1.75	3.812	1.750	1.94	M20x2.5	M20x2.5	3.812	1.750	

② 2500 PSI Max ③ 2000 PSI Max

⑤ May Contain Lead

⑥ **CAUTION:** Flange Adapter Pressure Rating CANNOT Exceed 61 Series Pad Connection.

NOTE: DIMENSIONS ARE IN INCHES UNLESS OTHERWISE NOTED. † Also Available for M12 Bolts ‡ Also Available for M14 Bolts

© Copyright MAIN Mfg. 2017