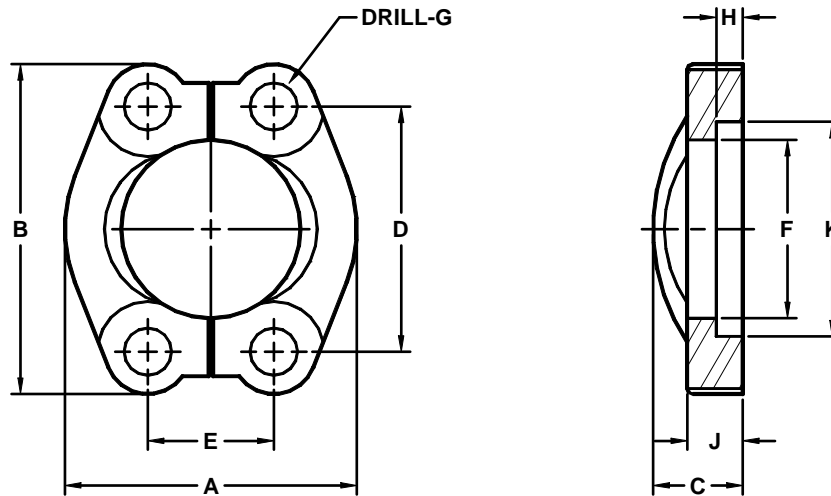


Developers and Manufacturers of  
Hydraulic Flanges & Components

## SPLIT FLANGES

SAE BOLT PATTERN											61 SERIES			
FLANGE SIZE	PART <sup>®</sup> NUMBER	A	B	C	D	E	F	G	H	J	K	MOUNTING KIT <sup>①</sup>		
												PART NO.	BOLT SIZE	O-RING
1/2	1319-08-08	1.81	2.12	.75	1.500	.688	.955	.34	.245	.50	1.219	MK 701	5/16-18 X 1 1/4	210
3/4	1319-12-12	2.05	2.56	.88	1.875	.875	1.265	.41	.245	.56	1.531	MK 1743	3/8-16 X 1 1/4	214
1	1319-16-16	2.31	2.75	.94	2.062	1.031	1.515	.41	.295	.62	1.781	MK 2735	3/8-16 X 1 1/4	219
1 1/4	1319-20-20	2.88	3.12	.88	2.312	1.188	1.720	.47	.295	.56	2.031	MK 1727	7/16-14 X 1 1/2	222
1 1/2	1319-24-24	3.25	3.69	1.00	2.750	1.406	2.000	.53	.295	.62	2.406	MK 2736	1/2-13 X 1 1/2	225
2	1319-32-32	3.81	4.00	1.03	3.062	1.688	2.470	.53	.355	.62	2.844	MK 2737	1/2-13 X 1 1/2	228
2 1/2 <sup>②</sup>	1319-40-40	4.28	4.50	1.50	3.500	2.000	2.950	.53	.355	.75	3.344	MK 1728	1/2-13 X 1 3/4	232
3 <sup>③</sup>	1319-48-48	5.16	5.31	1.62	4.188	2.438	3.580	.66	.355	.88	4.031	MK 2738	5/8-11 X 1 3/4	237
3 1/2 <sup>④</sup>	1319-56-56	5.50	6.00	1.12	4.750	2.750	4.030	.66	.422	.88	4.531	MK 1771	5/8-11 X 2	241
4 <sup>④</sup>	1319-64-64	6.00	6.38	1.38	5.125	3.062	4.530	.66	.422	1.00	5.031	MK 1772	5/8-11 X 2	245



Model 1319 / 1320

SAE BOLT PATTERN											62 SERIES			
FLANGE SIZE	PART <sup>®</sup> NUMBER	A	B	C	D	E	F	G	H	J	K	MOUNTING KIT <sup>①</sup>		
												PART NO.	BOLT SIZE	O-RING
1/2	1320-08-08	1.88	2.22	.88	1.594	.718	.970	.34	.285	.62	1.281	MK 701	5/16-18 X 1 1/4	210
3/4	1320-12-12	2.38	2.81	1.12	2.000	.937	1.280	.41	.325	.75	1.656	MK 1725	3/8-16 X 1 1/2	214
1	1320-16-16	2.75	3.19	1.31	2.250	1.093	1.530	.47	.355	.94	1.906	MK 713	7/16-14 X 1 3/4	219
1 1/4	1320-20-20	3.06	3.75	1.50	2.625	1.250	1.750	.53	.385	1.06	2.156	MK 2740	1/2-13 X 2	222
1 1/2	1320-24-24	3.75	4.44	1.69	3.125	1.437	2.030	.66	.475	1.19	2.531	MK 2741	5/8-11 X 2 1/4	225
2	1320-32-32	4.50	5.25	2.06	3.812	1.750	2.660	.78	.475	1.44	3.156	MK 2743	3/4-10 X 2 3/4	228

① Order Separately    ② 2500 PSI Max    ③ 2000 PSI Max    ④ 500 PSI Max    ⑤ Includes both halves