

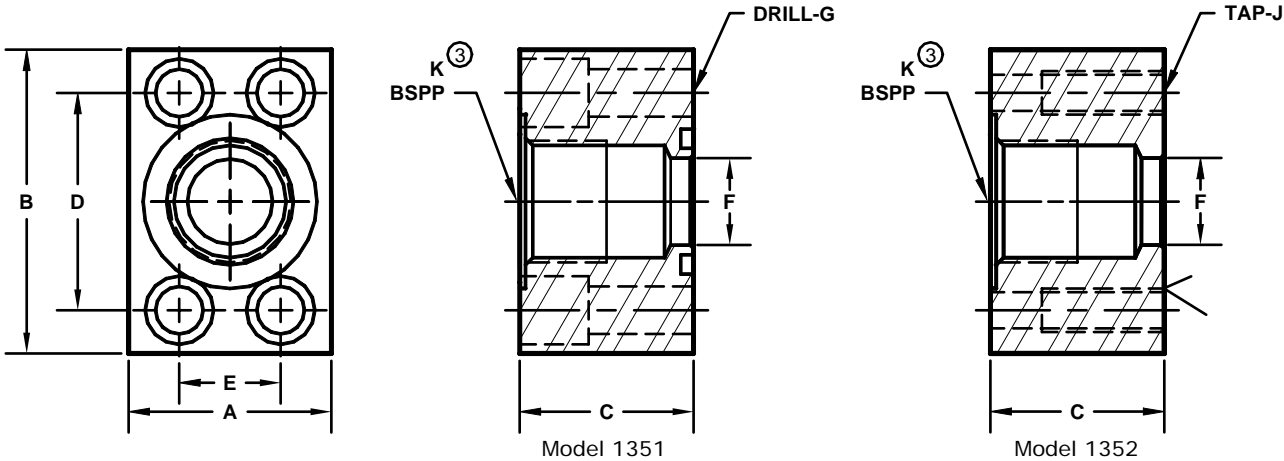
Developers and Manufacturers of Hydraulic Flanges & Components

BSPB THREADED IN-LINE PIPE FLANGES

ISO 6162-1 PATTERN / J518 61 SERIES METRIC

O-Ring Style

Companion Style
(Flat Face)



FLANGE SIZE	PIPE SIZE	PART NUMBER	A	B	C	D	E	F	G	J	K	MOUNTING KIT ^①		
												PART NO.	BOLT SIZE	O-RING
13	1/2	1351-08-04M8	38.0	54.0	31.5	38.10 (1.500)	17.48 (.688)	11.9	8.5	----- M8 x 1.25	1/4-19	MKM 501	M8 x 30	210
		1352-08-04M8										-----	-----	---
13	1/2	1351-08-06M8	38.0	54.0	31.5	38.10 (1.500)	17.48 (.688)	12.5	8.5	----- M8 x 1.25	3/8-19	MKM 501	M8 x 30	210
		1352-08-06M8										-----	-----	---
13	1/2	1351-08-08M8	38.0	54.0	31.5	38.10 (1.500)	17.48 (.688)	12.5	8.5	----- M8 x 1.25	1/2-14	MKM 501	M8 x 30	210
		1352-08-08M8										-----	-----	---
19	3/4	1351-12-06M10	44.5	66.5	38.0	47.63 (1.875)	22.23 (.875)	12.5	10.5	----- M10 x 1.5	3/8-19	MKM 1525	M10 x 35	214
		1352-12-06M10										-----	-----	---
19	3/4	1351-12-08M10	44.5	66.5	38.0	47.63 (1.875)	22.23 (.875)	18.7	10.5	----- M10 x 1.5	1/2-14	MKM 1525	M10 x 35	214
		1352-12-08M10										-----	-----	---
19	3/4	1351-12-12M10	44.5	66.5	38.0	47.63 (1.875)	22.23 (.875)	19.0	10.5	----- M10 x 1.5	3/4-14	MKM 1525	M10 x 35	214
		1352-12-12M10										-----	-----	---
25	1	1351-16-08M10	51.0	71.5	38.0	52.37 (2.062)	26.19 (1.031)	18.7	10.5	----- M10 x 1.5	1/2-14	MKM 1542	M10 x 35	219
		1352-16-08M10										-----	-----	---
25	1	1351-16-12M10	51.0	71.5	38.0	52.37 (2.062)	26.19 (1.031)	23.8	10.5	----- M10 x 1.5	3/4-14	MKM 1542	M10 x 35	219
		1352-16-12M10										-----	-----	---
25	1	1351-16-16M10	51.0	71.5	38.0	52.37 (2.062)	26.19 (1.031)	25.0	10.5	----- M10 x 1.5	1-11	MKM 1542	M10 x 35	219
		1352-16-16M10										-----	-----	---
32	1 1/4	1351-20-16M10	63.5	81.0	38.0	58.72 (2.312)	30.18 (1.188)	30.2	10.5	----- M10 x 1.5	1-11	MKM 4520	M10 x 35	222
		1352-20-16M10										-----	-----	---
32	1 1/4	1351-20-16M12*	63.5	81.0	38.0	58.72 (2.312)	30.18 (1.188)	30.2	12.5	----- M12 x 1.75	1-11	MKM 1527	M12 x 40	222
		1352-20-16M12*										-----	-----	---
32	1 1/4	1351-20-20M10	63.5	81.0	38.0	58.72 (2.312)	30.18 (1.188)	31.5	10.5	----- M10 x 1.5	1 1/4-11	MKM 4520	M10 x 35	222
		1352-20-20M10										-----	-----	---
32	1 1/4	1351-20-20M12*	63.5	81.0	38.0	58.72 (2.312)	30.18 (1.188)	31.5	12.5	----- M12 x 1.75	1 1/4-11	MKM 1527	M12 x 40	222
		1352-20-20M12*										-----	-----	---

① Order Separately

③ The pressure rating of the assembly should not exceed the lower of the flange pad or the fitting. Check the fitting manufacturer for details.

MATERIAL : STEEL
1/07

* Non Standard Bolt For This Flange Size.

NOTE: DIMENSIONS ARE IN MILLIMETERS. INCH EQUIVALENTS IN ().

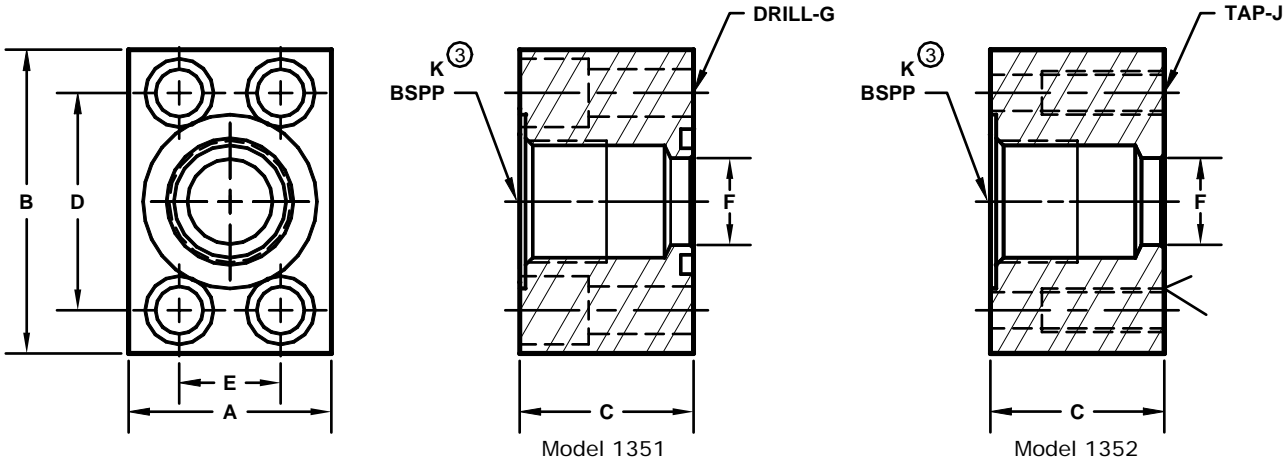
Developers and Manufacturers of Hydraulic Flanges & Components

BSPB THREADED IN-LINE PIPE FLANGES

ISO 6162-1 PATTERN / J518 61 SERIES METRIC

O-Ring Style

Companion Style
(Flat Face)



FLANGE SIZE	PIPE SIZE	PART NUMBER	A	B	C	D	E	F	G	J	K	MOUNTING KIT ^①		
												PART NO.	BOLT SIZE	O-RING
38	1½	-20	70.0	95.5	44.0	69.85 (2.750)	35.71 (1.406)	38.0	13.0	----- M12 x 1.75	1 1/4-11	MKM 2599	M12 x 45	225
												-----	-----	---
38	1½	-20	70.0	95.5	44.0	69.85 (2.750)	35.71 (1.406)	38.0	15.0	----- M14 x 2	1 1/4-11	MKM 1547	M14 x 45	225
												-----	-----	---
38	1½	-24	70.0	95.5	44.0	69.85 (2.750)	35.71 (1.406)	38.0	13.0	----- M12 x 1.75	1 1/2-11	MKM 2599	M12 x 45	225
												-----	-----	---
38	1½	-24	70.0	95.5	44.0	69.85 (2.750)	35.71 (1.406)	38.0	15.0	----- M14 x 2	1 1/2-11	MKM 1547	M14 x 45	225
												-----	-----	---
51	2	-24	82.5	101.5	44.0	77.77 (3.062)	42.88 (1.688)	44.5	13.0	----- M12 x 1.75	1 1/2-11	MKM 4513	M12 x 45	228
												-----	-----	---
51	2	-24	82.5	101.5	44.0	77.77 (3.062)	42.88 (1.688)	44.5	15.0	----- M14 x 2	1 1/2-11	MKM 582	M14 x 45	228
												-----	-----	---
51	2	-32	82.5	101.5	50.5	77.77 (3.062)	42.88 (1.688)	49.2	13.0	----- M12 x 1.75	2-11	MKM 4513	M12 x 45	228
												-----	-----	---
51	2	-32	82.5	101.5	50.5	77.77 (3.062)	42.88 (1.688)	49.2	15.0	----- M14 x 2	2-11	MKM 582	M14 x 45	228
												-----	-----	---
64 ^②	2½	-24	101.5	114.0	44.0	88.90 (3.500)	50.80 (2.000)	44.5	13.0	----- M12 x 1.75	1 1/2-11	MKM 3562	M12 x 45	232
												-----	-----	---
64 ^②	2½	-24	101.5	114.0	44.0	88.90 (3.500)	50.80 (2.000)	44.5	15.0	----- M14 x 2	1 1/2-11	MKM 1528	M14 x 45	232
												-----	-----	---
64 ^②	2½	-32	101.5	114.0	44.0	88.90 (3.500)	50.80 (2.000)	53.8	13.0	----- M12 x 1.75	2-11	MKM 3562	M12 x 45	232
												-----	-----	---
64 ^②	2½	-32	101.5	114.0	44.0	88.90 (3.500)	50.80 (2.000)	53.8	15.0	----- M14 x 2	2-11	MKM 1528	M14 x 45	232
												-----	-----	---

① Order Separately ② 16 Mpa Max ③ The pressure rating of the assembly should not exceed the lower of the flange pad or the fitting. Check the fitting manufacturer for details. MATERIAL : STEEL 1/07

* Non Standard Bolt For This Flange Size.

NOTE: DIMENSIONS ARE IN MILLIMETERS. INCH EQUIVALENTS IN ().