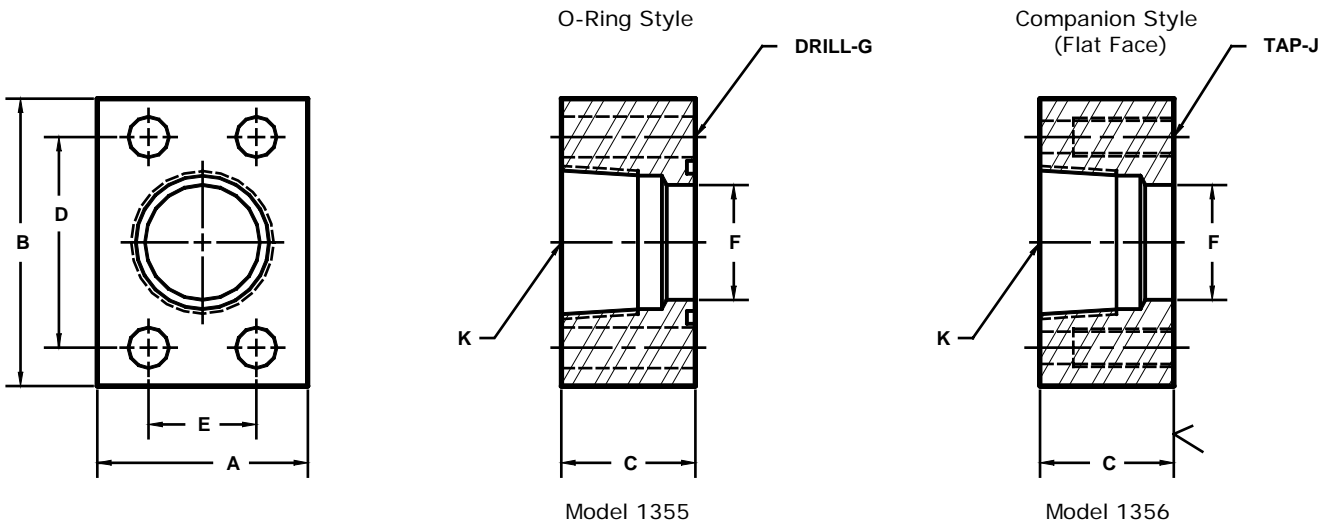


Developers and Manufacturers of Hydraulic Flanges & Components

## BSPT THREADED IN-LINE PIPE FLANGES

ISO 6162-1 PATTERN / J518 61 SERIES METRIC



FLANGE SIZE	PIPE SIZE	PART NUMBER	A	B	C	D	E	F	G	J	K BSPT	MOUNTING KIT <sup>①</sup>		
												PART NO.	BOLT SIZE	O-RING
13	1/2	1355-08-08M8	38.0	54.0	31.5	38.10 (1.500)	17.48 (.688)	12.5	8.5	----	1/2	MKM 519	M8 x 45	210
		1356-08-08M8							---	M8 x 1.25		-----	---	
19	3/4	1355-12-08M10	44.5	66.5	31.5	47.63 (1.875)	22.23 (.875)	17.7	10.5	----	1/2	MKM 520	M10 x 45	214
		1356-12-08M10							---	M10 x 1.5		-----	---	
19	3/4	1355-12-12M10	44.5	66.5	31.5	47.63 (1.875)	22.23 (.875)	19.0	10.5	----	3/4	MKM 520	M10 x 45	214
		1356-12-12M10							---	M10 x 1.5		-----	---	
25	1	1355-16-12M10	51.0	71.5	38.0	52.37 (2.062)	26.19 (1.031)	23.3	10.5	----	3/4	MKM 521	M10 x 50	219
		1356-16-12M10							---	M10 x 1.5		-----	---	
25	1	1355-16-16M10	51.0	71.5	38.0	52.37 (2.062)	26.19 (1.031)	25.0	10.5	----	1	MKM 521	M10 x 50	219
		1356-16-16M10							---	M10 x 1.5		-----	---	
32	1 1/4	1355-20-16M10	63.5	81.0	38.0	58.72 (2.312)	30.18 (1.188)	29.4	10.5	----	1	MKM 3526	M10 x 50	222
		1356-20-16M10							---	M10 x 1.5		-----	---	
32	1 1/4	1355-20-16M12*	63.5	81.0	38.0	58.72 (2.312)	30.18 (1.188)	29.4	12.5	----	1	MKM 522	M12 x 55	222
		1356-20-16M12*							---	M12 x 1.75		-----	---	
32	1 1/4	1355-20-20M10	63.5	81.0	38.0	58.72 (2.312)	30.18 (1.188)	31.5	10.5	----	1 1/4	MKM 3526	M10 x 50	222
		1356-20-20M10							---	M10 x 1.5		-----	---	
32	1 1/4	1355-20-20M12*	63.5	81.0	38.0	58.72 (2.312)	30.18 (1.188)	31.5	12.5	----	1 1/4	MKM 522	M12 x 55	222
		1356-20-20M12*							---	M12 x 1.75		-----	---	
38	1 1/2	1355-24-20M12	70.0	95.5	44.0	69.85 (2.750)	35.71 (1.406)	38.0	13.0	----	1 1/4	MKM 2565	M12 x 60	225
		1356-24-20M12							---	M12 x 1.75		-----	---	
38	1 1/2	1355-24-20M14*	70.0	95.5	44.0	69.85 (2.750)	35.71 (1.406)	38.0	15.0	----	1 1/4	MKM 523	M14 x 65	225
		1356-24-20M14*							---	M14 x 2		-----	---	
38	1 1/2	1355-24-24M12	70.0	95.5	44.0	69.85 (2.750)	35.71 (1.406)	38.0	13.0	----	1 1/2	MKM 2565	M12 x 60	225
		1356-24-24M12							---	M12 x 1.75		-----	---	
38	1 1/2	1355-24-24M14*	70.0	95.5	44.0	69.85 (2.750)	35.71 (1.406)	38.0	15.0	----	1 1/2	MKM 523	M14 x 65	225
		1356-24-24M14*							---	M14 x 2		-----	---	

① Order Separately

\* Non Standard Bolt For This Flange Size.

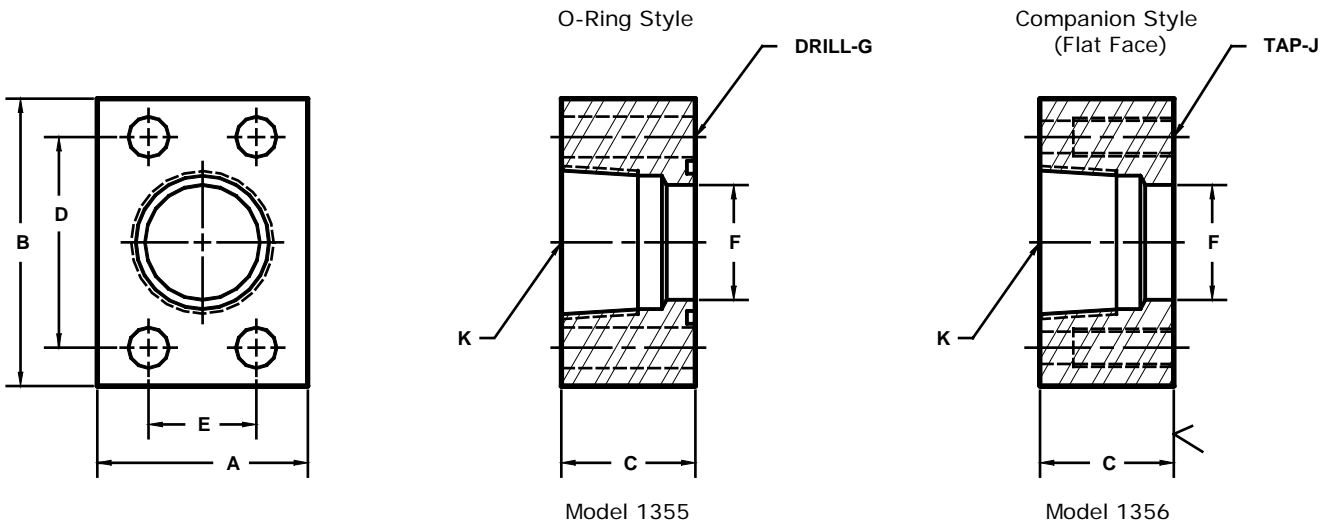
MATERIAL : STEEL  
1/07

NOTE: DIMENSIONS ARE IN MILLIMETERS. INCH EQUIVALENTS IN ().

Developers and Manufacturers of Hydraulic Flanges & Components

## BSPT THREADED IN-LINE PIPE FLANGES

ISO 6162-1 PATTERN / J518 61 SERIES METRIC



FLANGE SIZE	PIPE SIZE	PART NUMBER	A	B	C	D	E	F	G	J	K BSPT	MOUNTING KIT <sup>①</sup>		
												PART NO.	BOLT SIZE	O-RING
51	2	1 1/2	82.5	101.5	44.0	77.77 (3.062)	42.88 (1.688)	44.1	13.0	----	1 1/2	MKM 2566	M12 x 60	228
		1355-32-24M12								-----		---		
51	2	1 1/2	82.5	101.5	44.0	77.77 (3.062)	42.88 (1.688)	44.1	15.0	----	1 1/2	MKM 524	M14 x 65	228
		1355-32-24M14*								-----		---		
51	2	2	82.5	101.5	44.0	77.77 (3.062)	42.88 (1.688)	49.2	13.0	----	2	MKM 2566	M12 x 60	228
		1355-32-32M12								-----		---		
51	2	2	82.5	101.5	44.0	77.77 (3.062)	42.88 (1.688)	49.2	15.0	----	2	MKM 524	M14 x 65	228
		1355-32-32M14*								-----		---		
64 <sup>②</sup>	2 1/2	2	101.5	114.0	50.5	88.90 (3.500)	50.80 (2.000)	53.8	13.0	----	2	MKM 2574	M12 x 70	232
		1355-40-32M12								-----		---		
64 <sup>②</sup>	2 1/2	2	101.5	114.0	50.5	88.90 (3.500)	50.80 (2.000)	53.8	15.0	----	2	MKM 1515	M14 x 75	232
		1355-40-32M14*								-----		---		
64 <sup>②</sup>	2 1/2	2 1/2	101.5	114.0	50.5	88.90 (3.500)	50.80 (2.000)	62.0	13.0	----	2 1/2	MKM 2574	M12 x 70	232
		1355-40-40M12								-----		---		
64 <sup>②</sup>	2 1/2	2 1/2	101.5	114.0	50.5	88.90 (3.500)	50.80 (2.000)	62.0	15.0	----	2 1/2	MKM 1515	M14 x 75	232
		1355-40-40M14*								-----		---		
76 <sup>③</sup>	3	2 1/2	114.0	139.5	57.0	106.38 (4.188)	61.93 (2.438)	66.5	17.0	----	2 1/2	MKM 1516	M16 x 80	237
		1355-48-40M16								-----		---		
76 <sup>③</sup>	3	3	114.0	139.5	57.0	106.38 (4.188)	61.93 (2.438)	74.6	17.0	----	3	MKM 1516	M16 x 80	237
		1355-48-48M16								-----		---		
89 <sup>④</sup>	3 1/2	3	127.0	152.5	38.0	120.65 (4.750)	69.85 (2.750)	81.2	17.0	----	3	MKM 509	M16 x 65	241
		1355-56-48M16								-----		---		
89 <sup>④</sup>	3 1/2	3 1/2	127.0	152.5	57.0	120.65 (4.750)	69.85 (2.750)	87.3	17.0	----	3 1/2	MKM 2576	M16 x 90	241
		1355-56-56M16								-----		---		
102 <sup>④</sup>	4	4	139.5	165.0	63.0	130.18 (5.125)	77.77 (3.062)	100.0	17.0	----	4	MKM 2545	M16 x 90	245
		1355-64-64M16								-----		---		

① Order Separately    ② 16 MPa Max    ③ 10 MPa Max    ④ 2.5 MPa Max  
\* Non Standard Bolt For This Flange Size.

MATERIAL : STEEL  
1/07

NOTE: DIMENSIONS ARE IN MILLIMETERS. INCH EQUIVALENTS IN ().