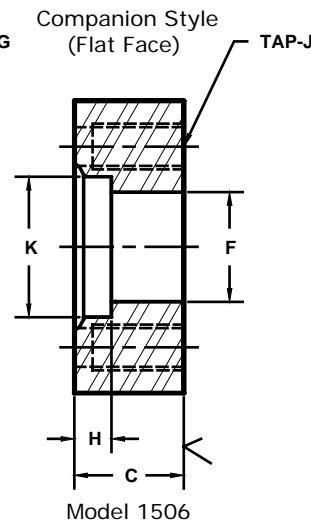
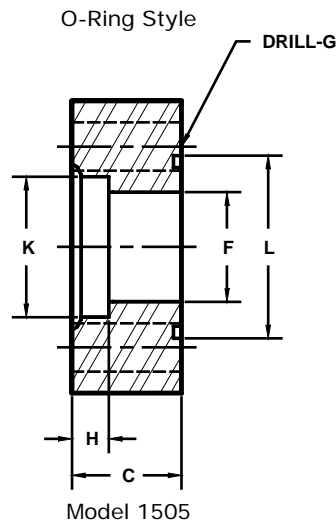
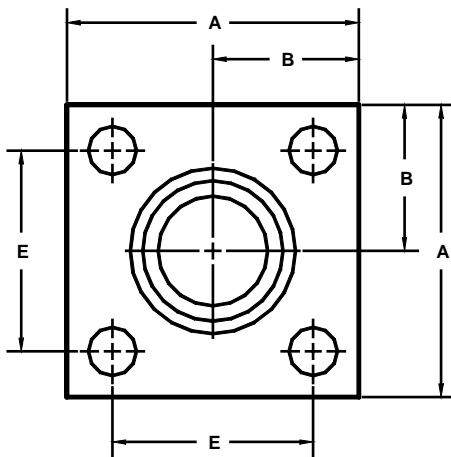


Developers and Manufacturers of Hydraulic Flanges & Components

JIS B 2291, 210K, SOCKET WELD IN-LINE PIPE FLANGES

TYPE SSA & SSB



FLANGE SIZE	PIPE SIZE	PART NUMBER	A	B	C	E _{mm}	E	F	G _{mm}	H	J _{mm}	K	L	MOUNTING KIT ^①		
														PART NO.	BOLT SIZE	O-RING
15	15	1505-08-08M	2.25	1.12	.87	36.0	1.417	.63	11.0	.43	-----	.874	1.181	MKM 4571	M10 x 40	G25
		1506-08-08M												-----	-----	---
20	15	1505-12-08M	2.25	1.12	.87	40.0	1.574	.63	11.0	.43	-----	.874	1.378	MKM 4572	M10 x 40	G30
		1506-12-08M												-----	-----	---
20	20	1505-12-12M	2.25	1.12	.87	40.0	1.574	.81	11.0	.47	-----	1.091	1.378	MKM 4572	M10 x 40	G30
		1506-12-12M												-----	-----	---
25	20	1505-16-12M	2.75	1.38	1.10	48.0	1.890	.81	13.0	.47	-----	1.091	1.575	MKM 4573	M12 x 50	G35
		1506-16-12M												-----	-----	---
25	25	1505-16-16M	2.75	1.38	1.10	48.0	1.890	.98	13.0	.55	-----	1.358	1.575	MKM 4573	M12 x 50	G35
		1506-16-16M												-----	-----	---
32	25	1505-20-16M	3.00	1.50	1.10	56.0	2.205	.98	13.0	.55	-----	1.358	1.772	MKM 4574	M12 x 50	G40
		1506-20-16M												-----	-----	---
32	32	1505-20-20M	3.00	1.50	1.10	56.0	2.205	1.24	13.0	.63	-----	1.701	1.772	MKM 4574	M12 x 50	G40
		1506-20-20M												-----	-----	---
40	32	1505-24-20M	3.75	1.88	1.38	65.0	2.559	1.24	18.0	.63	-----	1.701	2.165	MKM 4575	M16 x 60	G50
		1506-24-20M												-----	-----	---
40	40	1505-24-24M	3.75	1.88	1.38	65.0	2.559	1.48	18.0	.71	-----	1.933	2.165	MKM 4575	M16 x 60	G50
		1506-24-24M												-----	-----	---
50	40	1505-32-24M	4.00	2.00	1.38	73.0	2.874	1.48	18.0	.71	-----	1.933	2.559	MKM 4576	M16 x 60	G60
		1506-32-24M												-----	-----	---
50	50	1505-32-32M	4.00	2.00	1.38	73.0	2.874	1.87	18.0	.79	-----	2.406	2.559	MKM 4576	M16 x 60	G60
		1506-32-32M												-----	-----	---
65	50	1505-40-32M	5.00	2.50	1.75	92.0	3.622	1.87	22.0	.79	-----	2.406	3.150	MKM 4577	M20 x 75	G75
		1506-40-32M												-----	-----	---
65	65	1505-40-40M	5.00	2.50	1.75	92.0	3.622	2.36	22.0	.86	-----	3.035	3.150	MKM 4577	M20 x 75	G75
		1506-40-40M												-----	-----	---
80	80	1505-48-48M	5.50	2.75	1.75	103.0	4.055	2.80	24.0	.98	-----	3.543	3.543	MKM 4578	M22 x 80	G85
		1506-48-48M												-----	-----	---

① Order Separately

MATERIAL : STEEL
1/07

NOTE: DIMENSIONS ARE IN INCHES UNLESS OTHERWISE NOTED.