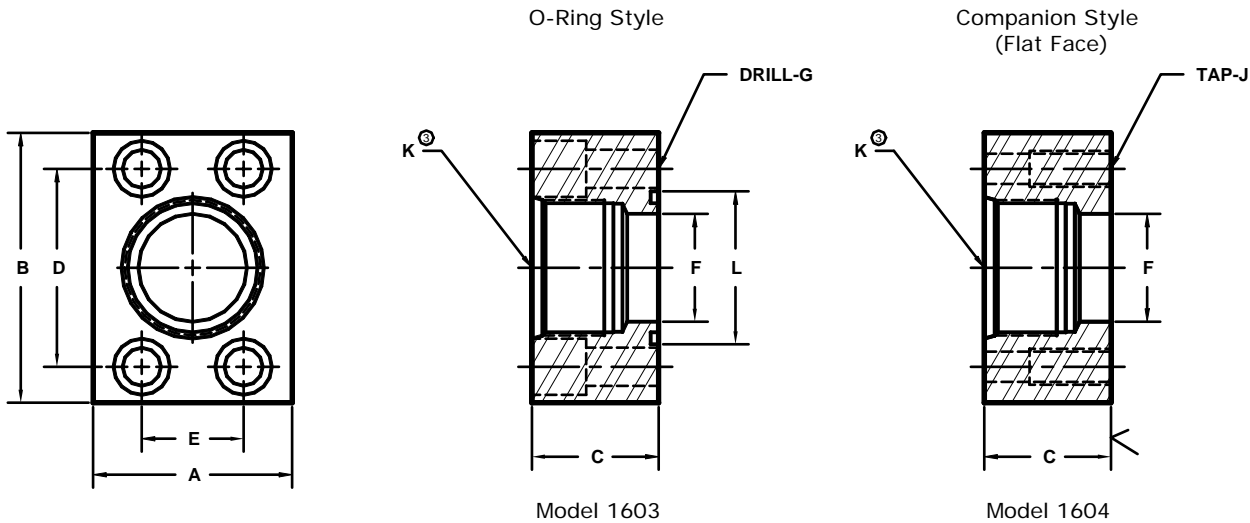


Developers and Manufacturers of Hydraulic Flanges & Components

## ISO 6149 THREADED IN-LINE FLANGES

SAE BOLT PATTERN

62 SERIES



FLANGE SIZE	PORT SIZE	PART NUMBER	A	B	C	D	E	F	G	J	K	L	MOUNTING KIT <sup>①</sup>		
													PART NO.	BOLT SIZE	O-RING
1/2	-6	1603-08-06	1.75	2.22	1.25	1.594	.718	.47	.34	-----	M16 x 1.5	1.000	MK 501	5/16-18 X 1 1/4	210
		1604-08-06											-----	-----	---
1/2	-8	1603-08-08	1.75	2.22	1.25	1.594	.718	.50	.34	-----	M18 x 1.5	1.000	MK 501	5/16-18 X 1 1/4	210
		1604-08-08											-----	-----	---
3/4	-8	1603-12-08	2.00	2.81	1.50	2.000	.937	.66	.41	-----	M18 x 1.5	1.250	MK 1525	3/8-16 X 1 1/2	214
		1604-12-08											-----	-----	---
3/4	-10	1603-12-10	2.00	2.81	1.50	2.000	.937	.50	.41	-----	M22 x 1.5	1.250	MK 1525	3/8-16 X 1 1/2	214
		1604-12-10											-----	-----	---
3/4	-12	1603-12-12	2.00	2.81	1.50	2.000	.937	.75	.41	-----	M27 x 2	1.250	MK 1525	3/8-16 X 1 1/2	214
		1604-12-12											-----	-----	---
1	-12	1603-16-12	2.25	3.19	1.50	2.250	1.093	.94	.47	-----	M27 x 2	1.562	MK 1529	7/16-14 X 1 1/2	219
		1604-16-12											-----	-----	---
1	-16	1603-16-16	2.25	3.19	1.50	2.250	1.093	1.00	.47	-----	M33 x 2	1.562	MK 1529	7/16-14 X 1 1/2	219
		1604-16-16											-----	-----	---
1 1/4	-12	1603-20-12	3.00	3.75	1.50	2.625	1.250	.94	.53	-----	M27 x 2	1.750	MK 1523	1/2-13 X 1 1/2	222
		1604-20-12											-----	-----	---
1 1/4	-16	1603-20-16	3.00	3.75	1.50	2.625	1.250	1.20	.53	-----	M33 x 2	1.750	MK 1523	1/2-13 X 1 1/2	222
		1604-20-16											-----	-----	---
1 1/4	-20	1603-20-20	3.00	3.75	1.50	2.625	1.250	1.25	.53	-----	M42 x 2	1.750	MK 1523	1/2-13 X 1 1/2	222
		1604-20-20											-----	-----	---
1 1/2	-20	1603-24-20	3.25	4.50	1.75	3.125	1.437	1.50	.66	-----	M42 x 2	2.125	MK 1544	5/8-11 X 1 3/4	225
		1604-24-20											-----	-----	---
1 1/2	-24	1603-24-24	3.25	4.50	1.75	3.125	1.437	1.50	.66	-----	M48 x 2	2.125	MK 1544	5/8-11 X 1 3/4	225
		1604-24-24											-----	-----	---
2	-24	1603-32-24	4.00	5.25	1.75	3.812	1.750	1.77	.78	-----	M48 x 2	2.500	MK 563	3/4-10 X 2	228
		1604-32-24											-----	-----	---
2	-32	1603-32-32	4.00	5.25	1.75	3.812	1.750	1.94	.78	-----	M60 x 2	2.500	MK 563	3/4-10 X 2	228
		1604-32-32											-----	-----	---

① Order Separately

② The pressure rating of the assembly should not exceed the lower of the flange pad or the fitting. Check the fitting manufacturer for details.

MATERIAL : STEEL  
1/07