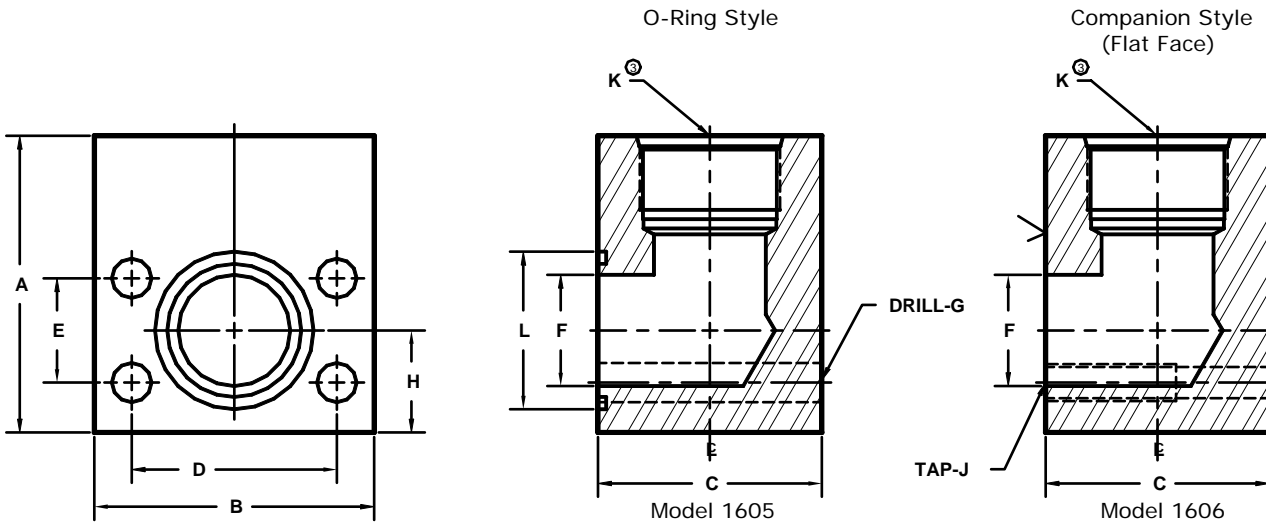


Developers and Manufacturers of Hydraulic Flanges & Components

ISO 6149 THREADED ELBOW FLANGES

SAE BOLT PATTERN

61 SERIES



FLANGE SIZE	PORT SIZE	PART NUMBER	A	B	C	D	E	F	G	H	J	K	L	MOUNTING KIT ^③		
														PART NO.	BOLT SIZE	O-RING
1/2	-4	1605-08-04	2.00	2.12	1.44	1.500	.688	.50	.34	.75	-----	M12 x 1.5	1.000	MK 541	5/16-18 X 2	210
		1606-08-04							---				-----	---		
1/2	-6	1605-08-06	2.00	2.12	1.44	1.500	.688	.50	.34	.75	-----	M16 x 1.5	1.000	MK 541	5/16-18 X 2	210
		1606-08-06							---				-----	---		
1/2	-8	1605-08-08	2.00	2.12	1.44	1.500	.688	.50	.34	.75	-----	M18 x 1.5	1.000	MK 541	5/16-18 X 2	210
		1606-08-08							---				-----	---		
3/4	-4	1605-12-06	2.50	2.62	1.70	1.875	.875	.75	.41	.88	-----	M12 x 1.5	1.250	MK 542	3/8-16 X 2 1/2	214
		1606-12-06							---				-----	---		
3/4	-6	1605-12-06	2.50	2.62	1.70	1.875	.875	.75	.41	.88	-----	M16 x 1.5	1.250	MK 542	3/8-16 X 2 1/2	214
		1606-12-06							---				-----	---		
3/4	-8	1605-12-08	2.50	2.62	1.70	1.875	.875	.75	.41	.88	-----	M18 x 1.5	1.250	MK 542	3/8-16 X 2 1/2	214
		1606-12-08							---				-----	---		
3/4	-10	1605-12-10	2.50	2.62	1.70	1.875	.875	.75	.41	.88	-----	M22 x 1.5	1.250	MK 542	3/8-16 X 2 1/2	214
		1606-12-10							---				-----	---		
3/4	-12	1605-12-12	2.50	2.62	1.70	1.875	.875	.75	.41	.88	-----	M27 x 2	1.250	MK 542	3/8-16 X 2 1/2	214
		1606-12-12							---				-----	---		
3/4	-16	1605-12-16	3.00	2.62	2.00	1.875	.875	.75	.41	.88	-----	M33 x 2	1.250	MK 3513	3/8-16 X 2 3/4	214
		1606-12-16							---				-----	---		
1	-8	1605-16-08	3.00	2.82	1.94	2.062	1.031	1.00	.41	1.00	-----	M18 x 1.5	1.562	MK 543	3/8-16 X 2 3/4	219
		1606-16-08							---				-----	---		
1	-10	1605-16-10	3.00	2.82	1.94	2.062	1.031	1.00	.41	1.00	-----	M22 x 1.5	1.562	MK 543	3/8-16 X 2 3/4	219
		1606-16-10							---				-----	---		
1	-12	1605-16-12	3.00	2.82	1.94	2.062	1.031	1.00	.41	1.00	-----	M27 x 2	1.562	MK 543	3/8-16 X 2 3/4	219
		1606-16-12							---				-----	---		
1	-16	1605-16-16	3.00	2.82	1.94	2.062	1.031	1.00	.41	1.00	-----	M33 x 2	1.562	MK 543	3/8-16 X 2 3/4	219
		1606-16-16							---				-----	---		
1	-20	1605-16-20	3.50	2.82	2.50	2.062	1.031	1.00	.41	1.00	-----	M42 x 2	1.562	MK 577	3/8-16 X 3 1/4	219
		1606-16-20							---				-----	---		

① Order Separately

③ The pressure rating of the assembly should not exceed the lower of the flange pad or the fitting. Check the fitting manufacturer for details.

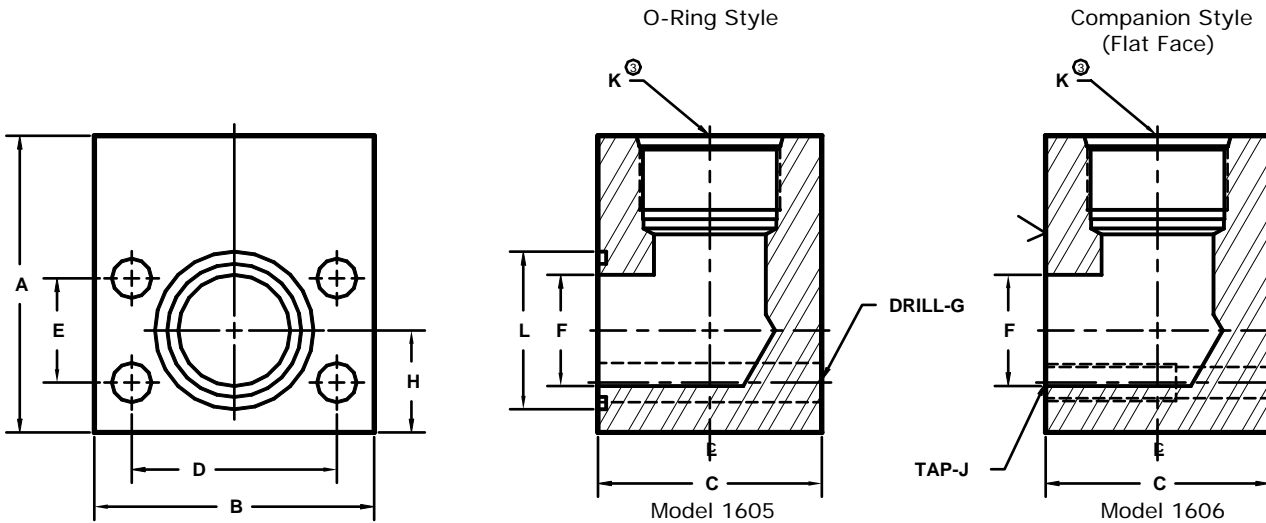
MATERIAL : STEEL
1/07

Developers and Manufacturers of Hydraulic Flanges & Components

ISO 6149 THREADED ELBOW FLANGES

SAE BOLT PATTERN

61 SERIES



FLANGE SIZE	PORT SIZE	PART NUMBER	A	B	C	D	E	F	G	H	J	K	L	MOUNTING KIT ^①		
														PART NO.	BOLT SIZE	O-RING
1 1/4	-12	1605-20-12	3.50	3.19	2.40	2.312	1.188	1.25	.47	1.25	-----	M27 x 2	1.750	MK 578	7/16-14 X 3 1/4	222
		1606-20-12							---				7/16-14	---		
1 1/4	-16	1605-20-16	3.50	3.19	2.40	2.312	1.188	1.25	.47	1.25	-----	M33 x 2	1.750	MK 578	7/16-14 X 3 1/4	222
		1606-20-16							---				7/16-14	---		
1 1/4	-20	1605-20-20	3.50	3.19	2.40	2.312	1.188	1.25	.47	1.25	-----	M42 x 2	1.750	MK 578	7/16-14 X 3 1/4	222
		1606-20-20							---				7/16-14	---		
1 1/4	-24	1605-20-24	4.00	3.19	3.00	2.312	1.188	1.25	.47	1.25	-----	M48 x 2	1.750	MK 591	7/16-14 X 4	222
		1606-20-24							---				7/16-14	---		
1 1/2	-16	1605-24-16	4.00	3.75	2.90	2.750	1.406	1.50	.53	1.38	-----	M33 x 2	2.125	MK 545	1/2-13 X 4	225
		1606-24-16							---				1/2-13	---		
1 1/2	-20	1605-24-20	4.00	3.75	2.90	2.750	1.406	1.50	.53	1.38	-----	M42 x 2	2.125	MK 545	1/2-13 X 4	225
		1606-24-20							---				1/2-13	---		
1 1/2	-24	1605-24-24	4.00	3.75	2.90	2.750	1.406	1.50	.53	1.38	-----	M48 x 2	2.125	MK 545	1/2-13 X 4	225
		1606-24-24							---				1/2-13	---		
1 1/2	-32	1605-24-32	4.00	4.00	4.00	2.750	1.406	1.50	.53	1.38	-----	M60 x 2	2.125	MK 1508	1/2-13 X 5	225
		1606-24-32							---				1/2-13	---		
2	-20	1605-32-20	4.50	4.00	3.00	3.062	1.688	1.94	.53	1.62	-----	M42 x 2	2.500	MK 558	1/2-13 X 4	228
		1606-32-20							---				1/2-13	---		
2	-24	1605-32-24	4.50	4.00	3.00	3.062	1.688	1.94	.53	1.62	-----	M48 x 2	2.500	MK 558	1/2-13 X 4	228
		1606-32-24							---				1/2-13	---		
2	-32	1605-32-32	4.25	4.00	3.94	3.062	1.688	1.94	.53	1.62	-----	M60 x 2	2.500	MK 592	1/2-13 X 5	228
		1606-32-32							---				1/2-13	---		
2 1/2 ^②	-20	1605-40-20	5.00	4.50	3.94	3.500	2.000	2.44	.53	2.00	-----	M42 x 2	3.000	MK 547	1/2-13 X 5	232
		1606-40-20							---				1/2-13	---		
2 1/2 ^②	-24	1605-40-24	5.00	4.50	3.94	3.500	2.000	2.44	.53	2.00	-----	M48 x 2	3.000	MK 547	1/2-13 X 5	232
		1606-40-24							---				1/2-13	---		
2 1/2 ^②	-32	1605-40-32	5.00	4.50	3.94	3.500	2.000	2.44	.53	2.00	-----	M60 x 2	3.000	MK 547	1/2-13 X 5	232
		1606-40-32							---				1/2-13	---		

① Order Separately ② 2500 PSI Max ③ The pressure rating of the assembly should not exceed the lower of the flange pad or the fitting. Check the fitting manufacturer for details. MATERIAL : STEEL 1/07