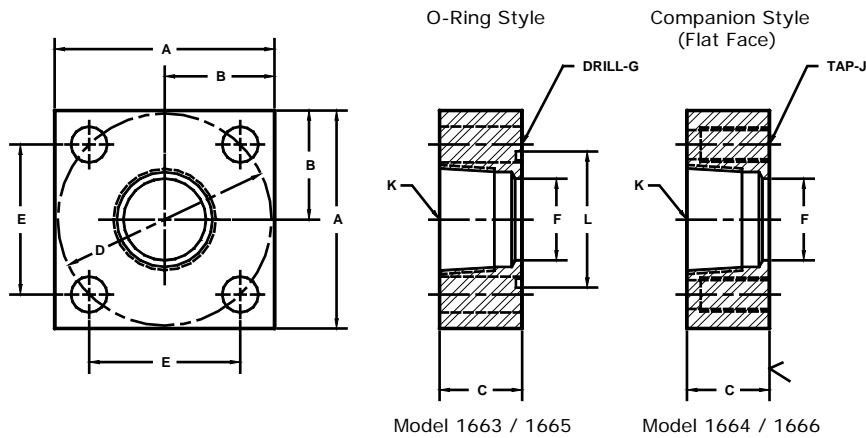


Developers and Manufacturers of Hydraulic Flanges & Components

NPTF THREADED IN-LINE FLANGES

ISO 6164			250 BAR SERIES													
FLANGE SIZE	PIPE SIZE	PART NUMBER	A	B	C	Dmm	E	F	Gmm	Jmm	K	L	MOUNTING KIT ^①			
													PART NO.	BOLT SIZE	O-RING	
10	3/8	1663-06-06M	PLEASE USE THE 400 BAR SERIES FOUND BELOW. THE BLOCK SIZE, BOLT PATTERN AND THE O'RING ARE IDENTICAL IN FLANGE SIZES 10 - 38. IF YOU HAVE ANY QUESTIONS CALL ENGINEERING AT 1-800-521-7918.													
		1664-06-06M														
13	1/2	1663-08-08M														
		1664-08-08M														
19	3/4	1663-12-12M														
		1664-12-12M														
25	1	1663-16-16M														
		1664-16-16M														
32	1 1/4	1663-20-20M														
		1664-20-20M														
38	1 1/2	1663-24-24M														
		1664-24-24M														
51	2	1663-32-32M														
		1664-32-32M	----	M16 x 2	----											
56	2 1/2	1663-40-40M	4.75	2.38	2.00	118	3.285	2.44	22.0	----	2 1/2	3.000	MKM 5573	M20 x 80	232	
		1664-40-40M	----	M20 x 2.5	----											
63	3	1663-48-48M	5.50	2.75	2.25	145	4.037	2.94	22.0	----	3	3.625	MKM 5558	M20 x 90	237	
		1664-48-48M	----	M20 x 2.5	----											



ISO 6164			400 BAR SERIES																		
FLANGE SIZE	PIPE SIZE	PART NUMBER	A	B	C	Dmm	E	F	Gmm	Jmm	K	L	MOUNTING KIT ^①								
													PART NO.	BOLT SIZE	O-RING						
10	3/8	1665-06-06M	1.50	.75	1.25	35	.974	.44	6.5	----	3/8	.875	MKM 5564	M6 x 40	115						
		1666-06-06M							----	M6 x 1		----									
13	1/2	1665-08-08M							1.75	.88	1.25	42	1.170	.50	9.0	----	1/2	1.000	MKM 519	M8 x 45	210
		1666-08-08M													----	M8 x 1.25		----			
19	3/4	1665-12-12M							2.00	1.00	1.25	50	1.392	.75	9.0	----	3/4	1.250	MKM 5565	M8 x 45	214
		1666-12-12M													----	M8 x 1.25		----			
25	1	1665-16-16M							2.50	1.25	1.50	62	1.726	1.00	11.0	----	1	1.562	MKM 5566	M10 x 55	219
		1666-16-16M													----	M10 x 1.5		----			
32	1 1/4	1665-20-20M							3.00	1.50	1.50	73	2.032	1.25	13.5	----	1 1/4	1.750	MKM 522	M12 x 55	222
		1666-20-20M													----	M12 x 1.75		----			
38	1 1/2	1665-24-24M							3.50	1.75	1.75	85	2.366	1.50	17.5	----	1 1/2	2.125	MKM 2541	M16 x 60	225
		1666-24-24M													----	M16 x 2		----			
51	2	1665-32-32M							4.00	2.00	1.75	98	2.728	1.69	17.5	----	2	2.625	MKM 540	M16 x 70	331
		1666-32-32M	----	M16 x 2	----																
56	2 1/2	1665-40-40M	4.75	2.38	2.00	118	3.285	2.12	22.0	----	2 1/2	3.125	MKM 5538	M20 x 80	335						
		1666-40-40M							----	M20 x 2.5		----									
63	3	1665-48-48M	6.00	3.00	2.50	145	4.037	2.32	26.0	----	3	3.375	MKM 5567	M24 x 100	337						
		1666-48-48M							----	M24 x 3		----									
70	3 1/2	1665-56-56M	6.50	3.25	2.50	160	4.454	2.73	26.0	----	3 1/2	3.750	MKM 5562	M24 x 100	340						
		1666-56-56M							----	M24 x 3		----									
80	4	1665-64-64M	7.00	3.50	2.85	175	4.872	3.15	33.0	----	4	3.875	MKM 5563	M30 x 120	341						
		1666-64-64M							----	M30 x 3.5		----									

① Order Separately

MATERIAL : STEEL
1/07

NOTE: DIMENSIONS ARE IN INCHES UNLESS OTHERWISE NOTED.