

Developers and Manufacturers of Hydraulic Flanges & Components

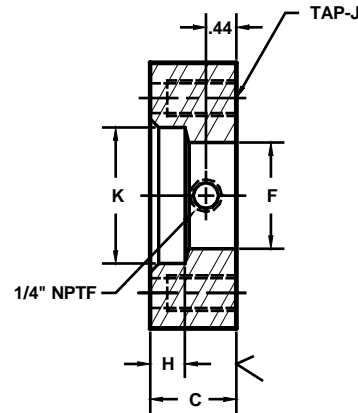
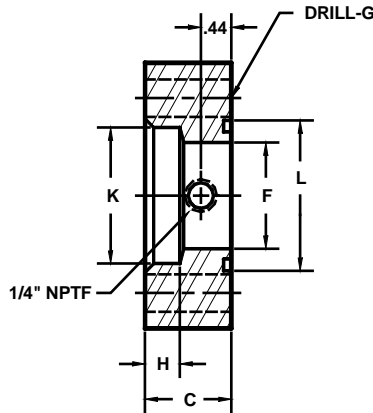
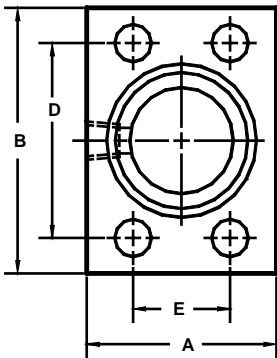
## SOCKET WELD IN-LINE PIPE FLANGES W/ 1/4" NPTF GAUGE PORT<sup>Ⓢ</sup>

SAE BOLT PATTERN

62 SERIES

O-Ring Style

Companion Style  
(Flat Face)



Model 2103

Model 2104

FLANGE SIZE	PIPE SIZE	PART NUMBER	A	B	C	D	E	F	G	H	J	K	L	MOUNTING KIT <sup>Ⓢ</sup>		
														PART NO.	BOLT SIZE	O-RING
1/2	1/2	2103-08-08	1.75	2.22	1.25	1.594	.718	.50	.34	.50	----	.860	1.000	MK 519	5/16-18 X 1 3/4	210
		2104-08-08							---		5/16-18		----	---		
1/2	3/4	-----	1.75	2.22	1.75	1.594	.718	.50	---	.50	----	1.070	----	-----	-----	---
		2104-08-12							---		5/16-18		----	---		
3/4	1/2	2103-12-08	2.00	2.81	1.25	2.000	.937	.50	.41	.50	----	.860	1.250	MK 520	3/8-16 X 2	214
		2104-12-08							---		3/8-16		----	---		
3/4	3/4	2103-12-12	2.00	2.81	1.25	2.000	.937	.75	.41	.50	----	1.070	1.250	MK 520	3/8-16 X 2	214
		2104-12-12							---		3/8-16		----	---		
3/4	1	-----	2.25	2.81	1.25	2.000	.937	.75	---	.50	----	1.335	----	-----	-----	---
		2104-12-16							---		3/8-16		----	---		
1	1/2	2103-16-08	2.25	3.19	1.25	2.250	1.093	.50	.47	.50	----	.860	1.562	MK 1504	7/16-14 X 2	219
		2104-16-08							---		7/16-14		----	---		
1	3/4	2103-16-12	2.25	3.19	1.25	2.250	1.093	.75	.47	.50	----	1.070	1.562	MK 1504	7/16-14 X 2	219
		2104-16-12							---		7/16-14		----	---		
1	1	2103-16-16	2.25	3.19	1.25	2.250	1.093	1.00	.47	.50	----	1.335	1.562	MK 1504	7/16-14 X 2	219
		2104-16-16							---		7/16-14		----	---		
1	1 1/4	-----	2.50	3.19	2.50	2.250	1.093	1.00	---	.50	----	1.680	----	-----	-----	---
		2104-16-20							---		7/16-14		----	---		
1 1/4	1/2	2103-20-08	2.75	3.75	1.25	2.625	1.250	.50	.53	.50	----	.860	1.750	MK 514	1/2-13 X 2 1/4	222
		2104-20-08							---		1/2-13		----	---		
1 1/4	3/4	2103-20-12	2.75	3.75	1.25	2.625	1.250	.75	.53	.50	----	1.070	1.750	MK 514	1/2-13 X 2 1/4	222
		2104-20-12							---		1/2-13		----	---		
1 1/4	1	2103-20-16	2.75	3.75	1.25	2.625	1.250	1.00	.53	.50	----	1.335	1.750	MK 514	1/2-13 X 2 1/4	222
		2104-20-16							---		1/2-13		----	---		
1 1/4	1 1/4	2103-20-20	2.75	3.75	1.25	2.625	1.250	1.25	.53	.50	----	1.680	1.750	MK 514	1/2-13 X 2 1/4	222
		2104-20-20							---		1/2-13		----	---		
1 1/4	1 1/2	-----	3.00	3.75	2.00	2.625	1.250	1.25	---	.50	----	1.920	----	-----	-----	---
		2104-20-24							---		1/2-13		----	---		

Ⓢ Order Separately    Ⓢ Also available with 7/16-20 (-4) SAE Gauge Port.

MATERIAL : STEEL  
1/07

Developers and Manufacturers of Hydraulic Flanges & Components

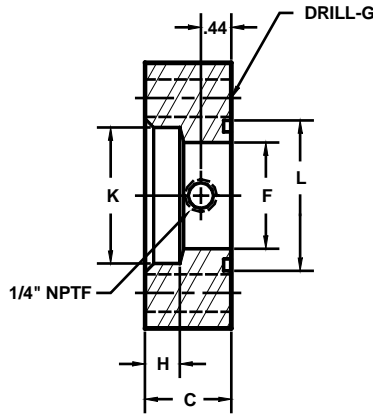
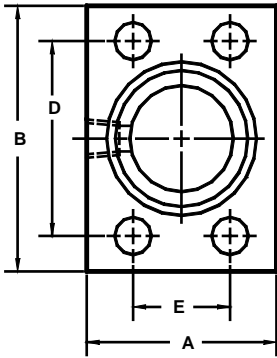
## SOCKET WELD IN-LINE PIPE FLANGES W/ 1/4" NPTF GAUGE PORT<sup>③</sup>

SAE BOLT PATTERN

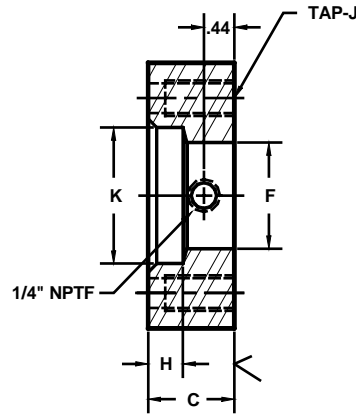
62 SERIES

O-Ring Style

Companion Style  
(Flat Face)



Model 2103



Model 2104

FLANGE SIZE	PIPE SIZE	PART NUMBER	A	B	C	D	E	F	G	H	J	K	L	MOUNTING KIT <sup>①</sup>		
														PART NO.	BOLT SIZE	O-RING
1½	¾	2103-24-12	3.25	4.50	1.50	3.125	1.437	.75	.66	.50	-----	1.070	2.125	MK 515	5/8-11 X 2 1/2	225
		2104-24-12							---							
1½	1	2103-24-16	3.25	4.50	1.50	3.125	1.437	1.00	.66	.50	-----	1.335	2.125	MK 515	5/8-11 X 2 1/2	225
		2104-24-16							---							
1½	1¼	2103-24-20	3.25	4.50	1.50	3.125	1.437	1.25	.66	.50	-----	1.680	2.125	MK 515	5/8-11 X 2 1/2	225
		2104-24-20							---							
1½	1½	2103-24-24	3.25	4.50	1.50	3.125	1.437	1.50	.66	.50	-----	1.920	2.125	MK 515	5/8-11 X 2 1/2	225
		2104-24-24							---							
1½	2	-----	4.00	4.50	3.00	3.125	1.437	1.50	---	.62	-----	2.411	---	-----	-----	---
		2104-24-32							---							
2	1¼	2103-32-20	4.00	5.25	1.75	3.812	1.750	1.25	.78	.50	-----	1.680	2.500	MK 516	3/4-10 X 3	228
		2104-32-20							---							
2	1½	2103-32-24	4.00	5.25	1.75	3.812	1.750	1.50	.78	.50	-----	1.920	2.500	MK 516	3/4-10 X 3	228
		2104-32-24							---							
2	2	2103-32-32	4.00	5.25	1.75	3.812	1.750	1.94	.78	.62	-----	2.411	2.500	MK 516	3/4-10 X 3	228
		2104-32-32							---							
2	2½	-----	5.00	5.50	3.00	3.812	1.750	1.94	---	.62	-----	2.911	---	-----	-----	---
		2104-32-40							---							
2½ <sup>②</sup>	2	2103-40-32	5.00	6.88	2.00	4.875	2.312	1.94	.94	.62	-----	2.411	3.000	MK 517	7/8-9 X 3 1/2	232
		2104-40-32							---							
2½ <sup>②</sup>	2½	2103-40-40	5.00	6.88	2.00	4.875	2.312	2.44	.94	.62	-----	2.911	3.000	MK 517	7/8-9 X 3 1/2	232
		2104-40-40							---							
2½ <sup>②</sup>	3	-----	5.00	6.88	2.00	4.875	2.312	2.44	---	.62	7/8-9	3.540	---	-----	-----	---
		2104-40-48							---							
3 <sup>②</sup>	2½	2103-48-40	6.00	8.50	2.50	6.000	2.812	2.44	1.19	.62	-----	2.911	3.625	MK 718	1 1/8-7 X 4 1/2	237
		2104-48-40							---							
3 <sup>②</sup>	3	2103-48-48	6.00	8.50	2.50	6.000	2.812	2.94	1.19	.62	-----	3.540	3.625	MK 718	1 1/8-7 X 4 1/2	237
		2104-48-48							---							

① Order Separately ② Not included in SAE J518 specifications ③ Also available with 7/16-20 (-4) SAE Gauge Port. MATERIAL : STEEL 1/07