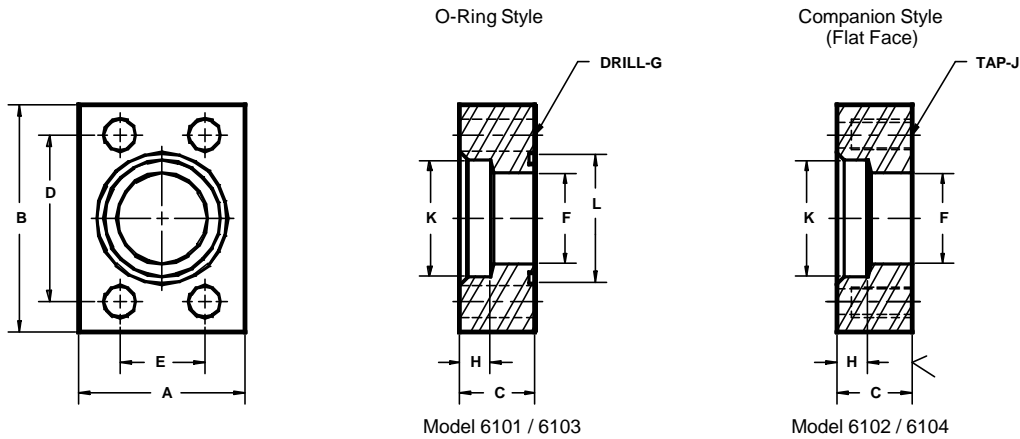


Developers and Manufacturers of
Hydraulic Flanges & Components

SOCKET WELD IN-LINE FLANGES

SAE BOLT PATTERN			61 SERIES												WT		
FLANGE SIZE	PIPE SIZE	PART NUMBER	A	B	C	D	E	F	G	H	J	K	L	MOUNTING KIT ^①			
														PART NO.	BOLT SIZE	O-RING	
1/2	1/2	6101-08-08D	1.50	2.12	.75	1.500	.688	.50	.34	.38	-----	.860	1.000	MK 501	5/16-18 X 1 1/4	210	.5
		---							5/16-18				---				
3/4	3/4	6101-12-12D	1.75	2.62	1.00	1.875	.875	.75	.41	.50	-----	1.070	1.250	MK 502	3/8-16 X 1 3/4	214	1.0
		---							3/8-16				---				
1	1	6101-16-16D	2.00	2.82	1.00	2.062	1.031	1.00	.41	.50	-----	1.335	1.562	MK 503	3/8-16 X 1 3/4	219	1.2
		---							3/8-16				---				
1 1/4	1 1/4	6101-20-20D	2.50	3.19	1.00	2.312	1.188	1.25	.47	.50	-----	1.680	1.750	MK 504	7/16-14 X 1 3/4	222	1.5
		---							7/16-14				---				
1 1/2	1 1/2	6101-24-24D	2.75	3.75	1.25	2.750	1.406	1.50	.53	.50	-----	1.920	2.125	MK 505	1/2-13 X 2	225	2.5
		---							1/2-13				---				
2	2	6101-32-32D	3.25	4.00	1.50	3.062	1.688	1.94	.53	.62	-----	2.411	2.500	MK 506	1/2-13 X 2 1/4	228	3.6
		---							1/2-13				---				
2 1/2 ^②	2 1/2	6101-40-40D	4.00	4.50	1.75	3.500	2.000	2.44	.53	.75	-----	2.911	3.000	MK 507	1/2-13 X 2 1/2	232	5.7
		---							1/2-13				---				
3 ^③	3	6101-48-48D	4.50	5.31	2.00	4.188	2.438	2.94	.66	.75	-----	3.540	3.625	MK 508	5/8-11 X 3	237	8.3
		---							5/8-11				---				
3 1/2 ^④	3 1/2	6101-56-56D	5.00	6.00	1.50	4.750	2.750	3.44	.66	.75	-----	4.045	4.109	MK 509	5/8-11 X 2 1/2	241	7.5
		---							5/8-11				---				
4 ^④	4	6101-64-64D	5.50	6.38	1.50	5.125	3.062	3.94	.66	.75	-----	4.550	4.609	MK 510	5/8-11 X 2 1/2	245	8.3
		---							5/8-11				---				
5 ^④	5	6101-80-80D	7.00	7.25	2.00	6.000	3.625	4.94	.66	.75	-----	5.635	5.609	MK 511	5/8-11 X 3	253	16.0
		---							5/8-11				---				



SAE BOLT PATTERN			62 SERIES												WT		
FLANGE SIZE	PIPE SIZE	PART NUMBER	A	B	C	D	E	F	G	H	J	K	L	MOUNTING KIT ^①			
														PART NO.	BOLT SIZE	O-RING	
1/2	1/2	6103-08-08D	1.75	2.22	1.00	1.594	.718	.50	.34	.50	-----	.860	1.000	MK 512	5/16-18 X 1 1/2	210	.8
		---							5/16-18				---				
3/4	3/4	6103-12-12D	2.00	2.81	1.00	2.000	.937	.75	.41	.50	-----	1.070	1.250	MK 502	3/8-16 X 1 3/4	214	1.3
		---							3/8-16				---				
1	1	6103-16-16D	2.25	3.19	1.00	2.250	1.093	1.00	.47	.50	-----	1.335	1.562	MK 513	7/16-14 X 1 3/4	219	1.5
		---							7/16-14				---				
1 1/4	1 1/4	6103-20-20D	2.75	3.75	1.25	2.625	1.250	1.25	.53	.50	-----	1.680	1.750	MK 514	1/2-13 X 2 1/4	222	2.7
		---							1/2-13				---				
1 1/2	1 1/2	6103-24-24D	3.25	4.50	1.50	3.125	1.437	1.50	.66	.50	-----	1.920	2.125	MK 515	5/8-11 X 2 1/2	225	4.8
		---							5/8-11				---				
2	2	6103-32-32D	4.00	5.25	1.75	3.812	1.750	1.94	.78	.62	-----	2.411	2.500	MK 516	3/4-10 X 3	228	7.8
		---							3/4-10				---				
2 1/2 ^⑤	2 1/2	6103-40-40D	5.00	6.88	2.00	4.875	2.312	2.44	.94	.62	-----	2.911	3.000	MK 517	7/8-9 X 3 1/2	232	15.2
		---							7/8-9				---				
3 ^⑤	3	6103-48-48D	6.00	8.50	2.50	6.000	2.812	2.94	1.19	.62	-----	3.540	3.625	MK 718	1 1/8-7 X 4 1/2	237	28.0
		---							1 1/8-7				---				

① Order Separately ② 2500 PSI Max ③ 2000 PSI Max ④ 500 PSI Max ⑤ Not included in SAE J518 specifications MATERIAL : 316L STAINLESS STEEL 10/00