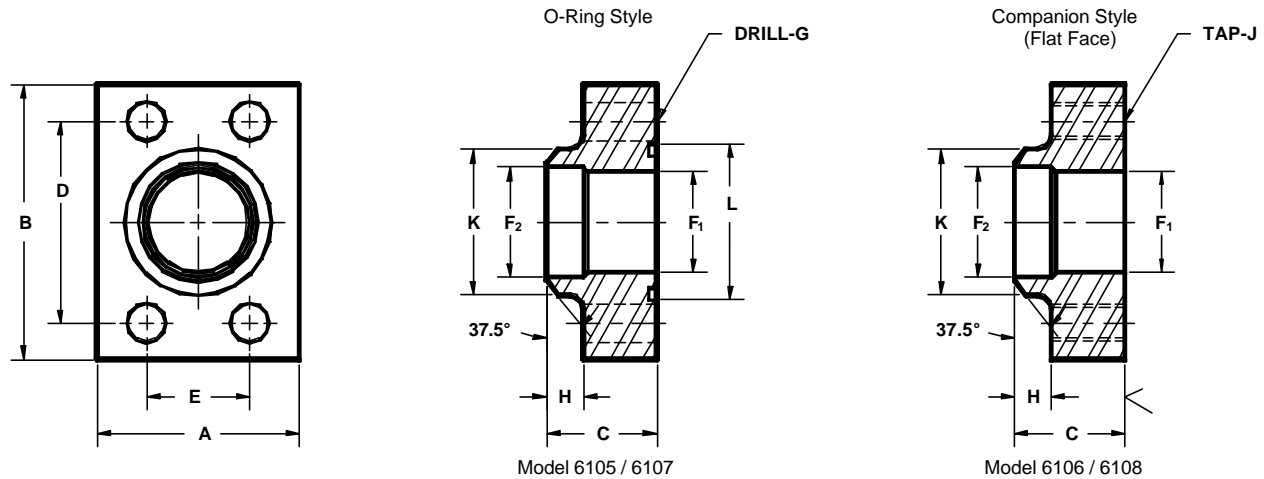


Developers and Manufacturers of Hydraulic Flanges & Components

## BUTT WELD IN-LINE FLANGES

For Schedule 40 Pipe

SAE BOLT PATTERN										61 SERIES									
FLANGE SIZE	PIPE SIZE	PART NUMBER	A	B	C	D	E	F <sub>1</sub>	F <sub>2</sub>	G <sub>mm</sub>	H	J <sub>mm</sub>	K	L	MOUNTING KIT <sup>①</sup>			WT	
															PART NO.	BOLT SIZE	O-RING		
1/2	1/2	6105-08-08BM8	1.50	2.12	1.25	1.500	.688	.53	.62	8.5	.38	M8 x 1.25	.88	1.000	MKM 512	M8 x 35	210	1.0	
		---								---					---				
3/4	3/4	6105-12-12BM10	1.75	2.62	1.25	1.875	.875	.75	.82	10.5	.38	M10 x 1.5	1.12	1.250	MKM 1525	M10 x 35	214	1.2	
		---								---					---				
1	1	6105-16-16BM10	2.00	2.82	1.25	2.062	1.031	.94	1.04	10.5	.38	M10 x 1.5	1.38	1.562	MKM 1542	M10 x 35	219	1.5	
		---								---					---				
1 1/4	1 1/4	6105-20-20BM10	2.50	3.19	1.25	2.312	1.188	1.25	1.38	10.5	.38	M10 x 1.5	1.75	1.750	MKM 4520	M10 x 35	222	1.7	
		---								---					---				
1 1/2	1 1/2	6105-24-24BM12	2.75	3.75	1.50	2.750	1.406	1.50	1.61	13.0	.50	M12 x 1.75	2.00	2.125	MKM 4551	M12 x 40	225	2.5	
		---								---					---				
2	2	6105-32-32BM12	3.25	4.00	1.50	3.062	1.688	1.94	2.06	13.0	.50	M12 x 1.75	2.50	2.500	MKM 4552	M12 x 45	228	3.0	
		---								---					---				
2 1/2 <sup>②</sup>	2 1/2	6105-40-40BM12	4.00	4.50	1.75	3.500	2.000	2.32	2.47	13.0	.50	M12 x 1.75	3.00	3.000	MKM 2575	M12 x 50	232	5.0	
		---								---					---				
3 <sup>③</sup>	3	6105-48-48BM16	4.50	5.31	2.00	4.188	2.438	2.90	3.06	17.0	.50	M16 x 2	3.50	3.625	MKM 585	M16 x 60	237	7.2	
		---								---					---				
3 1/2 <sup>④</sup>	3 1/2	6105-56-56BM16	5.00	6.00	1.50	4.750	2.750	3.36	3.54	17.0	.50	M16 x 2	4.00	4.109	MKM 1571	M16 x 50	241	6.2	
		---								---					---				
4 <sup>④</sup>	4	6105-64-64BM16	5.50	6.38	1.50	5.125	3.062	3.83	4.02	17.0	.50	M16 x 2	4.50	4.609	MKM 1572	M16 x 50	245	7.2	
		---								---					---				
5 <sup>④</sup>	5	6105-80-80BM16	7.00	7.25	2.00	6.000	3.625	4.81	5.04	17.0	.50	M16 x 2	5.62	5.609	MKM 1573	M16 x 60	253	15.0	
		---								---					---				



SAE BOLT PATTERN										62 SERIES									
FLANGE SIZE	PIPE SIZE	PART NUMBER	A	B	C	D	E	F <sub>1</sub>	F <sub>2</sub>	G <sub>mm</sub>	H	J <sub>mm</sub>	K	L	MOUNTING KIT <sup>①</sup>			WT	
															PART NO.	BOLT SIZE	O-RING		
1/2	1/2	6107-08-08BM8	1.75	2.22	1.25	1.594	.718	.53	.62	8.5	.38	M8 x 1.25	.88	1.000	MKM 512	M8 x 35	210	.8	
		---								---					---				
3/4	3/4	6107-12-12BM10	2.00	2.81	1.25	2.000	.937	.75	.82	10.5	.38	M10 x 1.5	1.12	1.250	MKM 1525	M10 x 35	214	1.2	
		---								---					---				
1	1	6107-16-16BM12	2.25	3.19	1.25	2.250	1.093	.94	1.04	12.5	.38	M12 x 1.75	1.38	1.562	MKM 4569	M12 x 40	219	1.5	
		---								---					---				
1 1/4	1 1/4	6107-20-20BM12	2.75	3.75	1.25	2.625	1.250	1.25	1.38	13.0	.38	M12 x 1.75	1.75	1.750	MKM 1527	M12 x 40	222	2.7	
		---								---					---				
1 1/2	1 1/2	6107-24-24BM16	3.25	4.50	1.50	3.125	1.437	1.50	1.61	17.0	.50	M16 x 2	2.00	2.125	MKM 562	M16 x 45	225	4.7	
		---								---					---				
2	2	6107-32-32BM20	4.00	5.25	1.75	3.812	1.750	1.94	2.06	21.0	.50	M20 x 2.5	2.50	2.500	MKM 1548	M20 x 60	228	7.5	
		---								---					---				
2 1/2 <sup>⑤</sup>	2 1/2	6107-40-40BM24	5.00	6.88	2.00	4.875	2.312	2.32	2.47	25.5	.50	M24 x 3	3.00	3.000	MKM 1575	M24 x 70	232	14.7	
		---								---					---				
3 <sup>⑤</sup>	3	6107-48-48BM30	6.00	8.50	2.50	6.000	2.812	2.90	3.06	32.0	.50	M30 x 3.5	3.50	3.625	MKM 1576	M30 x 100	237	28.0	
		---								---					---				

① Order Separately ② 2500 PSI Max ③ 2000 PSI Max ④ 500 PSI Max ⑤ Not included in SAE J518 specifications MATERIAL : 304L STAINLESS STEEL  
NOTE: DIMENSIONS ARE IN INCHES UNLESS OTHERWISE NOTED. 7/01