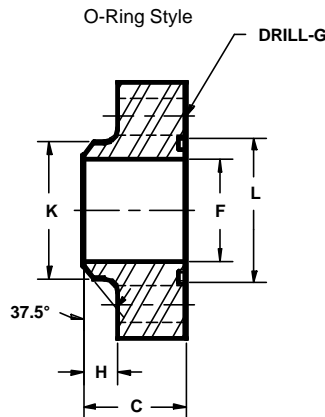
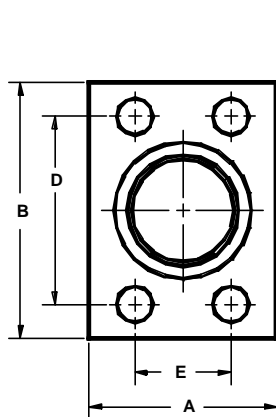


Developers and Manufacturers of Hydraulic Flanges & Components

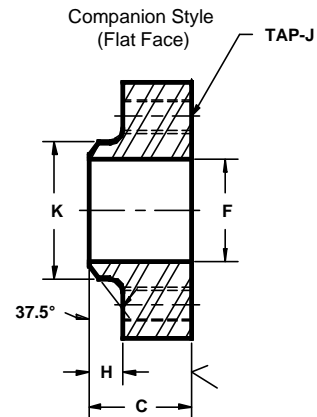
BUTT WELD IN-LINE FLANGES

For Schedule 80 Pipe

FLANGE SIZE	PIPE SIZE	SAE BOLT PATTERN									61 SERIES					WT	
		PART NUMBER	A	B	C	D	E	F	G _{mm}	H	J _{mm}	K	L	MOUNTING KIT ^①			
														PART NO.	BOLT SIZE		O-RING
1/2	1/2	6109-08-08DM8	1.50	2.12	1.25	1.500	.688	.53	8.5	.38	M8 x 1.25	.88	1.000	MKM 512	M8 x 35	210	.7
		6110-08-08DM8															
3/4	3/4	6109-12-12DM10	1.75	2.62	1.25	1.875	.875	.75	10.5	.38	M10 x 1.5	1.12	1.250	MKM1525	M10 x 35	214	1.0
		6110-12-12DM10															
1	1	6109-16-16DM10	2.00	2.82	1.25	2.062	1.031	.94	10.5	.38	M10 x 1.5	1.38	1.562	MKM 1542	M10 x 35	219	1.2
		6110-16-16DM10															
1 1/4	1 1/4	6109-20-20DM10	2.50	3.19	1.25	2.312	1.188	1.25	10.5	.38	M10 x 1.5	1.75	1.750	MKM 4520	M10 x 35	222	1.6
		6110-20-20DM10															
1 1/2	1 1/2	6109-24-24DM12	2.75	3.75	1.50	2.750	1.406	1.50	13.0	.50	M12 x 1.75	2.00	2.125	MKM 4551	M12 x 40	225	2.3
		6110-24-24DM12															
2	2	6109-32-32DM12	3.25	4.00	1.50	3.062	1.688	1.94	13.0	.50	M12 x 1.75	2.50	2.500	MKM 4552	M12 x 45	228	2.8
		6110-32-32DM12															
2 1/2 ^②	2 1/2	6109-40-40DM12	4.00	4.50	1.75	3.500	2.000	2.32	13.0	.50	M12 x 1.75	3.00	3.000	MKM 2575	M12 x 50	232	4.8
		6110-40-40DM12															
3 ^③	3	6109-48-48DM16	4.50	5.31	2.00	4.188	2.438	2.90	17.0	.50	M16 x 2	3.50	3.625	MKM 585	M16 x 60	237	7.2
		6110-48-48DM16															
3 1/2 ^④	3 1/2	6109-56-56DM16	5.00	6.00	1.50	4.750	2.750	3.36	17.0	.50	M16 x 2	4.00	4.109	MKM 1571	M16 x 50	241	5.9
		6110-56-56DM16															
4 ^④	4	6109-64-64DM16	5.50	6.38	1.50	5.125	3.062	3.83	17.0	.50	M16 x 2	4.50	4.609	MKM 1572	M16 x 50	245	6.7
		6110-64-64DM16															
5 ^④	5	6109-80-80DM16	7.00	7.25	2.00	6.000	3.625	4.81	17.0	.50	M16 x 2	5.62	5.609	MKM 1573	M16 x 60	253	14.3
		6110-80-80DM16															



Model 6109 / 6111



Model 6110 / 6112

FLANGE SIZE	PIPE SIZE	SAE BOLT PATTERN									62 SERIES					WT	
		PART NUMBER	A	B	C	D	E	F	G _{mm}	H	J _{mm}	K	L	MOUNTING KIT ^①			
														PART NO.	BOLT SIZE		O-RING
1/2	1/2	6111-08-08DM8	1.75	2.22	1.25	1.594	.718	.53	8.5	.38	M8 x 1.25	.88	1.000	MKM 512	M8 x 35	210	.8
		6112-08-08DM8															
3/4	3/4	6111-12-12DM10	2.00	2.81	1.25	2.000	.937	.75	10.5	.38	M10 x 1.5	1.12	1.250	MKM 1525	M10 x 35	214	1.3
		6112-12-12DM10															
1	1	6111-16-16DM12	2.25	3.19	1.25	2.250	1.093	.94	12.5	.38	M12 x 1.75	1.38	1.562	MKM 4569	M12 x 40	219	1.5
		6112-16-16DM12															
1 1/4	1 1/4	6111-20-20DM12	2.75	3.75	1.25	2.625	1.250	1.25	13.0	.38	M12 x 1.75	1.75	1.750	MKM 1527	M12 x 40	222	2.1
		6112-20-20DM12															
1 1/2	1 1/2	6111-24-24DM16	3.25	4.50	1.50	3.125	1.437	1.50	17.0	.50	M16 x 2	2.00	2.125	MKM 562	M16 x 45	225	3.3
		6112-24-24DM16															
2	2	6111-32-32DM20	4.00	5.25	1.75	3.812	1.750	1.94	21.0	.50	M20 x 2.5	2.50	2.500	MKM 1548	M20 x 60	228	5.9
		6112-32-32DM20															
2 1/2 ^⑤	2 1/2	6111-40-40DM24	5.00	6.88	2.00	4.875	2.312	2.32	25.5	.50	M24 x 3	3.00	3.000	MKM 1575	M24 x 70	232	12.0
		6112-40-40DM24															
3 ^⑤	3	6111-48-48DM30	6.00	8.50	2.50	6.000	2.812	2.90	32.0	.50	M30 x 3.5	3.50	3.625	MKM 1576	M30 x 100	237	23.3
		6112-48-48DM30															

① Order Separately ② 2500 PSI Max ③ 2000 PSI Max ④ 500 PSI Max ⑤ Not included in SAE J518 specifications MATERIAL : 316L STAINLESS STEEL
NOTE: DIMENSIONS ARE IN INCHES UNLESS OTHERWISE NOTED. 10/00