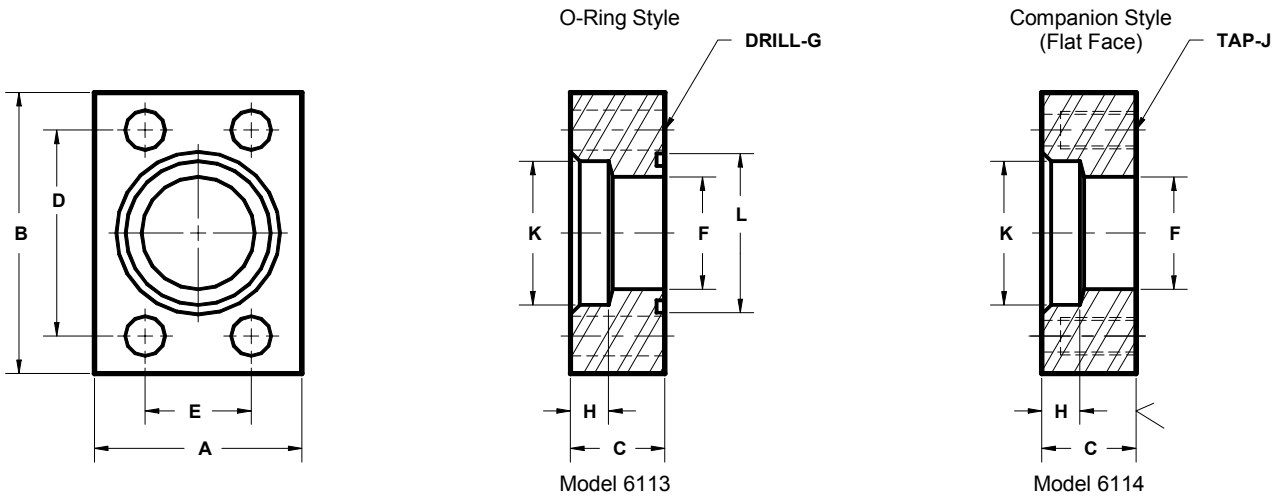


Developers and Manufacturers of  
Hydraulic Flanges & Components

## SOCKET WELD IN-LINE TUBE FLANGES

SAE BOLT PATTERN

61 SERIES



FLANGE SIZE	TUBE SIZE	PART NUMBER	A	B	C	D	E	F	G	H	J	K	L	MOUNTING KIT <sup>①</sup>			WT
														PART NO.	BOLT SIZE	O-RING	
1/2	1/2	6113-08-08D	1.50	2.12	.75	1.500	.688	.38	.34	.38	5/16-18	.510	1.000	MK 501	5/16-18 X 1 1/4	210	.7
		6114-08-08D												-----	-----	---	
1/2	3/4	6113-08-12D	1.50	2.12	.75	1.500	.688	.50	.34	.38	5/16-18	.760	1.000	MK 501	5/16-18 X 1 1/4	210	.6
		6114-08-12D												-----	-----	---	
3/4	3/4	6113-12-12D	1.75	2.62	1.00	1.875	.875	.50	.41	.50	3/8-16	.760	1.250	MK 502	3/8-16 X 1 3/4	214	1.2
		6114-12-12D												-----	-----	---	
3/4	7/8	6113-12-14D	1.75	2.62	1.00	1.875	.875	.75	.41	.50	3/8-16	.885	1.250	MK 502	3/8-16 X 1 3/4	214	1.1
		6114-12-14D												-----	-----	---	
3/4	1	6113-12-16D	1.75	2.62	1.00	1.875	.875	.75	.41	.50	3/8-16	1.010	1.250	MK 502	3/8-16 X 1 3/4	214	1.0
		6114-12-16D												-----	-----	---	
1	1	6113-16-16D	2.00	2.82	1.00	2.062	1.031	.75	.41	.50	3/8-16	1.010	1.562	MK 503	3/8-16 X 1 3/4	219	1.4
		6114-16-16D												-----	-----	---	
1	1 1/4	6113-16-20D	2.00	2.82	1.00	2.062	1.031	1.00	.41	.50	3/8-16	1.260	1.562	MK 503	3/8-16 X 1 3/4	219	1.2
		6114-16-20D												-----	-----	---	
1 1/4	1 1/4	6113-20-20D	2.50	3.19	1.00	2.312	1.188	1.00	.47	.50	7/16-14	1.260	1.750	MK 504	7/16-14 X 1 3/4	222	2.0
		6114-20-20D												-----	-----	---	
1 1/4	1 1/2	6113-20-24D	2.50	3.19	1.00	2.312	1.188	1.25	.47	.50	7/16-14	1.510	1.750	MK 504	7/16-14 X 1 3/4	222	1.7
		6114-20-24D												-----	-----	---	
1 1/2	1 1/2	6113-24-24D	2.75	3.75	1.25	2.750	1.406	1.25	.53	.50	1/2-13	1.510	2.125	MK 505	1/2-13 X 2	225	2.7
		6114-24-24D												-----	-----	---	
1 1/2	1 3/4	6113-24-28D	2.75	3.75	1.25	2.750	1.406	1.50	.53	.50	1/2-13	1.760	2.125	MK 505	1/2-13 X 2	225	2.5
		6114-24-28D												-----	-----	---	
1 1/2	2	6113-24-32D	2.75	3.75	1.25	2.750	1.406	1.50	.53	.50	1/2-13	2.010	2.125	MK 505	1/2-13 X 2	225	2.3
		6114-24-32D												-----	-----	---	
2	2	6113-32-32D	3.25	4.00	1.50	3.062	1.688	1.50	.53	.50	1/2-13	2.010	2.500	MK 506	1/2-13 X 2 1/4	228	4.0
		6114-32-32D												-----	-----	---	
2	2 1/4	6113-32-36D	3.25	4.00	1.50	3.062	1.688	1.94	.53	.50	1/2-13	2.260	2.500	MK 506	1/2-13 X 2 1/4	228	3.5
		6114-32-36D												-----	-----	---	

① Order Separately

MATERIAL : 316L STAINLESS STEEL

10/00