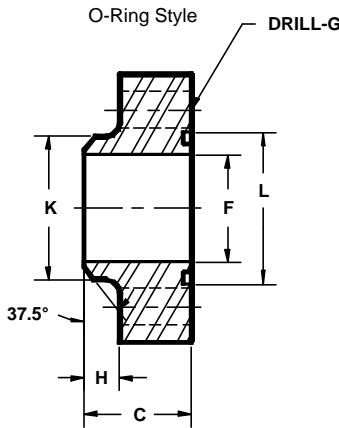
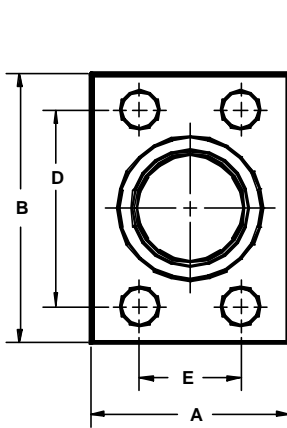


Developers and Manufacturers of
Hydraulic Flanges & Components

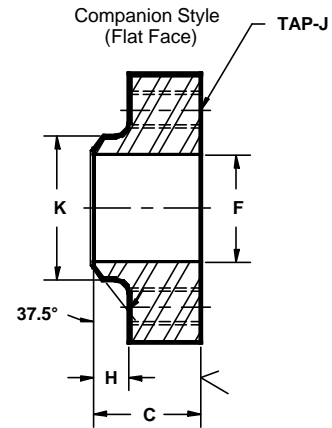
BUTT WELD IN-LINE FLANGES

For Schedule 160 Pipe

SAE BOLT PATTERN			61 SERIES														WT	
FLANGE SIZE	PIPE SIZE	PART NUMBER	A	B	C	D	E	F	G	H	J	K	L	MOUNTING KIT ^①				
														PART NO.	BOLT SIZE	O-RING		
1/2	1/2	6117-08-08B	1.50	2.12	1.25	1.500	.688	.47	.34	.38	---	---	.88	1.000	MK 512	5/16-18 X 1 1/2	210	.7
		---							5/16-18									
3/4	3/4	6117-12-12B	1.75	2.62	1.25	1.875	.875	.61	.41	.38	---	---	1.12	1.250	MK 1525	3/8-16 X 1 1/2	214	.9
		---							3/8-16									
1	1	6117-16-16B	2.00	2.82	1.25	2.062	1.031	.81	.41	.38	---	---	1.38	1.562	MK 1542	3/8-16 X 1 1/2	219	1.2
		---							3/8-16									
1 1/4	1 1/4	6117-20-20B	2.50	3.19	1.25	2.312	1.188	1.16	.47	.38	---	---	1.75	1.750	MK 1527	7/16-14 X 1 1/2	222	1.6
		---							7/16-14									
1 1/2	1 1/2	6117-24-24B	2.75	3.75	1.50	2.750	1.406	1.34	.53	.50	---	---	2.00	2.125	MK 1547	1/2-13 X 1 3/4	225	2.4
		---							1/2-13									
2	2	6117-32-32B	3.25	4.00	1.50	3.062	1.688	1.69	.53	.50	---	---	2.50	2.500	MK 582	1/2-13 X 1 3/4	228	3.0
		---							1/2-13									
2 1/2 ^②	2 1/2	6117-40-40B	4.00	4.50	1.75	3.500	2.000	2.12	.53	.50	---	---	3.00	3.000	MK 561	1/2-13 X 2	232	5.1
		---							1/2-13									
3 ^③	3	6117-48-48B	4.50	5.31	2.00	4.188	2.438	2.62	.66	.50	---	---	3.50	3.625	MK 585	5/8-11 X 2 1/2	237	7.7
		---							5/8-11									
3 1/2 ^④	3 1/2	6117-56-56B	5.00	6.00	1.50	4.750	2.750	3.00	.66	.50	---	---	4.00	4.109	MK 1571	5/8-11 X 2	241	6.6
		---							5/8-11									
4 ^④	4	6117-64-64B	5.50	6.38	1.50	5.125	3.062	3.44	.66	.50	---	---	4.50	4.609	MK 1572	5/8-11 X 2	245	7.4
		---							5/8-11									
5 ^④	5	6117-80-80B	7.00	7.25	2.00	6.000	3.625	4.31	.66	.50	---	---	5.62	5.609	MK 1573	5/8-11 X 2 1/2	253	15.2
		---							5/8-11									



Model 6117 / 6119



Model 6118 / 6120

SAE BOLT PATTERN			62 SERIES														WT	
FLANGE SIZE	PIPE SIZE	PART NUMBER	A	B	C	D	E	F	G	H	J	K	L	MOUNTING KIT ^①				
														PART NO.	BOLT SIZE	O-RING		
1/2	1/2	6119-08-08B	1.75	2.22	1.25	1.594	.718	.47	.34	.38	---	---	.88	1.000	MK 512	5/16-18 X 1 1/2	210	.9
		---							5/16-18									
3/4	3/4	6119-12-12B	2.00	2.81	1.25	2.000	.937	.61	.41	.38	---	---	1.12	1.250	MK 1525	3/8-16 X 1 1/2	214	1.3
		---							3/8-16									
1	1	6119-16-16B	2.25	3.19	1.25	2.250	1.093	.81	.47	.38	---	---	1.38	1.562	MK 513	7/16-14 X 1 3/4	219	1.5
		---							7/16-14									
1 1/4	1 1/4	6119-20-20B	2.75	3.75	1.25	2.625	1.250	1.16	.53	.38	---	---	1.75	1.750	MK 529	1/2-13 X 1 3/4	222	2.2
		---							1/2-13									
1 1/2	1 1/2	6119-24-24B	3.25	4.50	1.50	3.125	1.437	1.34	.66	.50	---	---	2.00	2.125	MK 562	5/8-11 X 2	225	3.6
		---							5/8-11									
2	2	6119-32-32B	4.00	5.25	1.75	3.812	1.750	1.69	.78	.50	---	---	2.50	2.500	MK 1548	3/4-10 X 2 1/2	228	6.3
		---							3/4-10									
2 1/2 ^⑤	2 1/2	6119-40-40B	5.00	6.88	2.00	4.875	2.312	2.12	.94	.50	---	---	3.00	3.000	MK 1575	7/8-9 X 2 3/4	232	12.6
		---							7/8-9									
3 ^⑤	3	6119-48-48B	6.00	8.50	2.50	6.000	2.812	2.62	1.19	.50	---	---	3.50	3.625	MK 1776	1 1/8-7 X 4	237	23.9
		---							1 1/8-7									

① Order Separately ② 2500 PSI Max ③ 2000 PSI Max ④ 500 PSI Max ⑤ Not included in SAE J518 specifications

MATERIAL : 304L STAINLESS STEEL
10/00