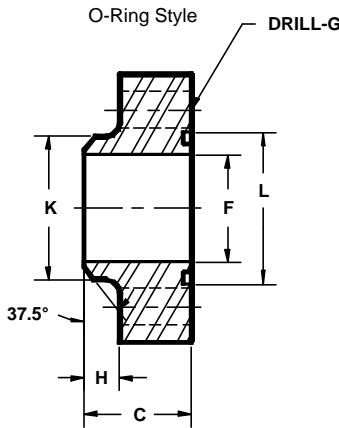
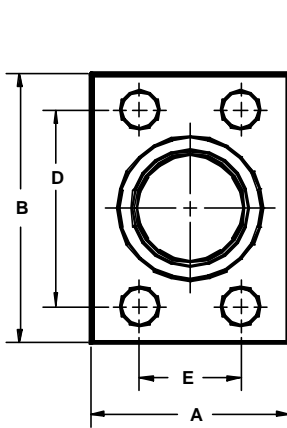


Developers and Manufacturers of  
Hydraulic Flanges & Components

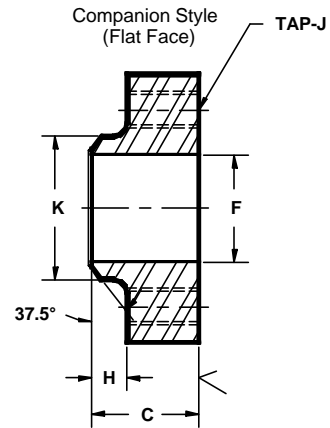
## BUTT WELD IN-LINE FLANGES

For Schedule 160 Pipe

| SAE BOLT PATTERN   |           |             | 61 SERIES |      |      |       |       |      |         |     |     |     |      |                           |           |                 | WT  |      |
|--------------------|-----------|-------------|-----------|------|------|-------|-------|------|---------|-----|-----|-----|------|---------------------------|-----------|-----------------|-----|------|
| FLANGE SIZE        | PIPE SIZE | PART NUMBER | A         | B    | C    | D     | E     | F    | G       | H   | J   | K   | L    | MOUNTING KIT <sup>①</sup> |           |                 |     |      |
|                    |           |             |           |      |      |       |       |      |         |     |     |     |      | PART NO.                  | BOLT SIZE | O-RING          |     |      |
| 1/2                | 1/2       | 6117-08-08D | 1.50      | 2.12 | 1.25 | 1.500 | .688  | .47  | .34     | .38 | --- | --- | .88  | 1.000                     | MK 512    | 5/16-18 X 1 1/2 | 210 | .7   |
|                    |           | ---         |           |      |      |       |       |      | 5/16-18 |     |     |     |      |                           |           |                 |     |      |
| 3/4                | 3/4       | 6117-12-12D | 1.75      | 2.62 | 1.25 | 1.875 | .875  | .61  | .41     | .38 | --- | --- | 1.12 | 1.250                     | MK 1525   | 3/8-16 X 1 1/2  | 214 | .9   |
|                    |           | ---         |           |      |      |       |       |      | 3/8-16  |     |     |     |      |                           |           |                 |     |      |
| 1                  | 1         | 6117-16-16D | 2.00      | 2.82 | 1.25 | 2.062 | 1.031 | .81  | .41     | .38 | --- | --- | 1.38 | 1.562                     | MK 1542   | 3/8-16 X 1 1/2  | 219 | 1.2  |
|                    |           | ---         |           |      |      |       |       |      | 3/8-16  |     |     |     |      |                           |           |                 |     |      |
| 1 1/4              | 1 1/4     | 6117-20-20D | 2.50      | 3.19 | 1.25 | 2.312 | 1.188 | 1.16 | .47     | .38 | --- | --- | 1.75 | 1.750                     | MK 1527   | 7/16-14 X 1 1/2 | 222 | 1.6  |
|                    |           | ---         |           |      |      |       |       |      | 7/16-14 |     |     |     |      |                           |           |                 |     |      |
| 1 1/2              | 1 1/2     | 6117-24-24D | 2.75      | 3.75 | 1.50 | 2.750 | 1.406 | 1.34 | .53     | .50 | --- | --- | 2.00 | 2.125                     | MK 1547   | 1/2-13 X 1 3/4  | 225 | 2.4  |
|                    |           | ---         |           |      |      |       |       |      | 1/2-13  |     |     |     |      |                           |           |                 |     |      |
| 2                  | 2         | 6117-32-32D | 3.25      | 4.00 | 1.50 | 3.062 | 1.688 | 1.69 | .53     | .50 | --- | --- | 2.50 | 2.500                     | MK 582    | 1/2-13 X 1 3/4  | 228 | 3.0  |
|                    |           | ---         |           |      |      |       |       |      | 1/2-13  |     |     |     |      |                           |           |                 |     |      |
| 2 1/2 <sup>②</sup> | 2 1/2     | 6117-40-40D | 4.00      | 4.50 | 1.75 | 3.500 | 2.000 | 2.12 | .53     | .50 | --- | --- | 3.00 | 3.000                     | MK 561    | 1/2-13 X 2      | 232 | 5.1  |
|                    |           | ---         |           |      |      |       |       |      | 1/2-13  |     |     |     |      |                           |           |                 |     |      |
| 3 <sup>③</sup>     | 3         | 6117-48-48D | 4.50      | 5.31 | 2.00 | 4.188 | 2.438 | 2.62 | .66     | .50 | --- | --- | 3.50 | 3.625                     | MK 585    | 5/8-11 X 2 1/2  | 237 | 7.7  |
|                    |           | ---         |           |      |      |       |       |      | 5/8-11  |     |     |     |      |                           |           |                 |     |      |
| 3 1/2 <sup>④</sup> | 3 1/2     | 6117-56-56D | 5.00      | 6.00 | 1.50 | 4.750 | 2.750 | 3.00 | .66     | .50 | --- | --- | 4.00 | 4.109                     | MK 1571   | 5/8-11 X 2      | 241 | 6.6  |
|                    |           | ---         |           |      |      |       |       |      | 5/8-11  |     |     |     |      |                           |           |                 |     |      |
| 4 <sup>④</sup>     | 4         | 6117-64-64D | 5.50      | 6.38 | 1.50 | 5.125 | 3.062 | 3.44 | .66     | .50 | --- | --- | 4.50 | 4.609                     | MK 1572   | 5/8-11 X 2      | 245 | 7.4  |
|                    |           | ---         |           |      |      |       |       |      | 5/8-11  |     |     |     |      |                           |           |                 |     |      |
| 5 <sup>④</sup>     | 5         | 6117-80-80D | 7.00      | 7.25 | 2.00 | 6.000 | 3.625 | 4.31 | .66     | .50 | --- | --- | 5.62 | 5.609                     | MK 1573   | 5/8-11 X 2 1/2  | 253 | 15.2 |
|                    |           | ---         |           |      |      |       |       |      | 5/8-11  |     |     |     |      |                           |           |                 |     |      |



Model 6117 / 6119



Model 6118 / 6120

| SAE BOLT PATTERN   |           |             | 62 SERIES |      |      |       |       |      |         |     |     |     |      |                           |           |                 | WT  |      |
|--------------------|-----------|-------------|-----------|------|------|-------|-------|------|---------|-----|-----|-----|------|---------------------------|-----------|-----------------|-----|------|
| FLANGE SIZE        | PIPE SIZE | PART NUMBER | A         | B    | C    | D     | E     | F    | G       | H   | J   | K   | L    | MOUNTING KIT <sup>①</sup> |           |                 |     |      |
|                    |           |             |           |      |      |       |       |      |         |     |     |     |      | PART NO.                  | BOLT SIZE | O-RING          |     |      |
| 1/2                | 1/2       | 6119-08-08D | 1.75      | 2.22 | 1.25 | 1.594 | .718  | .47  | .34     | .38 | --- | --- | .88  | 1.000                     | MK 512    | 5/16-18 X 1 1/2 | 210 | .9   |
|                    |           | ---         |           |      |      |       |       |      | 5/16-18 |     |     |     |      |                           |           |                 |     |      |
| 3/4                | 3/4       | 6119-12-12D | 2.00      | 2.81 | 1.25 | 2.000 | .937  | .61  | .41     | .38 | --- | --- | 1.12 | 1.250                     | MK 1525   | 3/8-16 X 1 1/2  | 214 | 1.3  |
|                    |           | ---         |           |      |      |       |       |      | 3/8-16  |     |     |     |      |                           |           |                 |     |      |
| 1                  | 1         | 6119-16-16D | 2.25      | 3.19 | 1.25 | 2.250 | 1.093 | .81  | .47     | .38 | --- | --- | 1.38 | 1.562                     | MK 513    | 7/16-14 X 1 3/4 | 219 | 1.5  |
|                    |           | ---         |           |      |      |       |       |      | 7/16-14 |     |     |     |      |                           |           |                 |     |      |
| 1 1/4              | 1 1/4     | 6119-20-20D | 2.75      | 3.75 | 1.25 | 2.625 | 1.250 | 1.16 | .53     | .38 | --- | --- | 1.75 | 1.750                     | MK 529    | 1/2-13 X 1 3/4  | 222 | 2.2  |
|                    |           | ---         |           |      |      |       |       |      | 1/2-13  |     |     |     |      |                           |           |                 |     |      |
| 1 1/2              | 1 1/2     | 6119-24-24D | 3.25      | 4.50 | 1.50 | 3.125 | 1.437 | 1.34 | .66     | .50 | --- | --- | 2.00 | 2.125                     | MK 562    | 5/8-11 X 2      | 225 | 3.6  |
|                    |           | ---         |           |      |      |       |       |      | 5/8-11  |     |     |     |      |                           |           |                 |     |      |
| 2                  | 2         | 6119-32-32D | 4.00      | 5.25 | 1.75 | 3.812 | 1.750 | 1.69 | .78     | .50 | --- | --- | 2.50 | 2.500                     | MK 1548   | 3/4-10 X 2 1/2  | 228 | 6.3  |
|                    |           | ---         |           |      |      |       |       |      | 3/4-10  |     |     |     |      |                           |           |                 |     |      |
| 2 1/2 <sup>⑤</sup> | 2 1/2     | 6119-40-40D | 5.00      | 6.88 | 2.00 | 4.875 | 2.312 | 2.12 | .94     | .50 | --- | --- | 3.00 | 3.000                     | MK 1575   | 7/8-9 X 2 3/4   | 232 | 12.6 |
|                    |           | ---         |           |      |      |       |       |      | 7/8-9   |     |     |     |      |                           |           |                 |     |      |
| 3 <sup>⑤</sup>     | 3         | 6119-48-48D | 6.00      | 8.50 | 2.50 | 6.000 | 2.812 | 2.62 | 1.19    | .50 | --- | --- | 3.50 | 3.625                     | MK 1776   | 1 1/8-7 X 4     | 237 | 23.9 |
|                    |           | ---         |           |      |      |       |       |      | 1 1/8-7 |     |     |     |      |                           |           |                 |     |      |

① Order Separately    ② 2500 PSI Max    ③ 2000 PSI Max    ④ 500 PSI Max    ⑤ Not included in SAE J518 specifications    MATERIAL : 316L STAINLESS STEEL