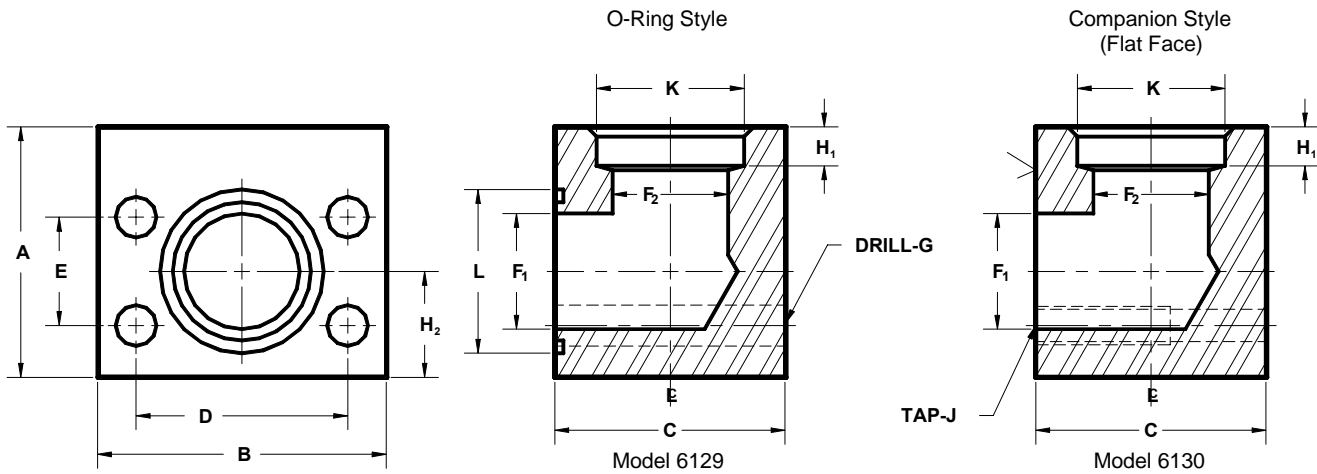


Developers and Manufacturers of
Hydraulic Flanges & Components

SOCKET WELD ELBOW TUBE FLANGES

SAE BOLT PATTERN

61 SERIES



FLANGE SIZE	TUBE SIZE	PART NUMBER	A	B	C	D	E	F ₁	F ₂	G	H ₁	H ₂	J	K	L	MOUNTING KIT ^①			WT
																PART NO.	BOLT SIZE	O-RING	
1/2	1/2	6129-08-08B	1.75	2.12	1.44	1.500	.688	.50	.38	.34	.38	.75	----	.510	1.000	MK 541	5/16-18 X 2	210	1.4
		6130-08-08B								---									
1/2	3/4	6129-08-12B	1.75	2.12	1.44	1.500	.688	.50	.50	.34	.38	.75	----	.760	1.000	MK 541	5/16-18 X 2	210	1.3
		6130-08-12B								---									
3/4	3/4	6129-12-12B	2.00	2.62	1.70	1.875	.875	.75	.62	.41	.38	.88	----	.760	1.250	MK 542	3/8-16 X 2 1/2	214	2.2
		6130-12-12B								---									
3/4	7/8	6129-12-14B	2.00	2.62	1.70	1.875	.875	.75	.75	.41	.50	.88	----	.885	1.250	MK 542	3/8-16 X 2 1/2	214	2.1
		6130-12-14B								---									
3/4	1	6129-12-16B	2.00	2.62	1.70	1.875	.875	.75	.75	.41	.50	.88	----	1.010	1.250	MK 542	3/8-16 X 2 1/2	214	2.0
		6130-12-16B								---									
1	1	6129-16-16B	2.25	2.82	1.94	2.062	1.031	1.00	.75	.41	.50	1.00	----	1.010	1.562	MK 543	3/8-16 X 2 3/4	219	3.0
		6130-16-16B								---									
1	1 1/4	6129-16-20B	2.25	2.82	1.94	2.062	1.031	1.00	1.00	.41	.50	1.00	----	1.260	1.562	MK 543	3/8-16 X 2 3/4	219	2.7
		6130-16-20B								---									
1 1/4	1 1/4	6129-20-20B	2.75	3.19	2.40	2.312	1.188	1.25	1.00	.47	.50	1.25	----	1.260	1.750	MK 578	7/16-14 X 3 1/4	222	5.0
		6130-20-20B								---									
1 1/4	1 1/2	6129-20-24B	2.75	3.19	2.40	2.312	1.188	1.25	1.25	.47	.50	1.25	----	1.510	1.750	MK 578	7/16-14 X 3 1/4	222	4.8
		6130-20-24B								---									
1 1/2	1 1/2	6129-24-24B	3.00	3.75	2.90	2.750	1.406	1.50	1.25	.53	.50	1.38	----	1.510	2.125	MK 545	1/2-13 X 4	225	7.8
		6130-24-24B								---									
1 1/2	1 3/4	6129-24-28B	3.00	3.75	2.90	2.750	1.406	1.50	1.50	.53	.50	1.38	----	1.760	2.125	MK 545	1/2-13 X 4	225	7.4
		6130-24-28B								---									
1 1/2	2	6129-24-32B	3.00	3.75	2.90	2.750	1.406	1.50	1.50	.53	.50	1.38	----	2.010	2.125	MK 545	1/2-13 X 4	225	7.0
		6130-24-32B								---									
2	2	6129-32-32B	3.50	4.00	3.40	3.062	1.688	1.94	1.50	.53	.50	1.62	----	2.010	2.500	MK 546	1/2-13 X 4 1/2	228	10.0
		6130-32-32B								---									
2	2 1/4	6129-32-36B	3.50	4.00	3.40	3.062	1.688	1.94	1.94	.53	.50	1.62	----	2.260	2.500	MK 546	1/2-13 X 4 1/2	228	9.5
		6130-32-36B								---									

① Order Separately

MATERIAL: 304L STAINLESS STEEL

10/00