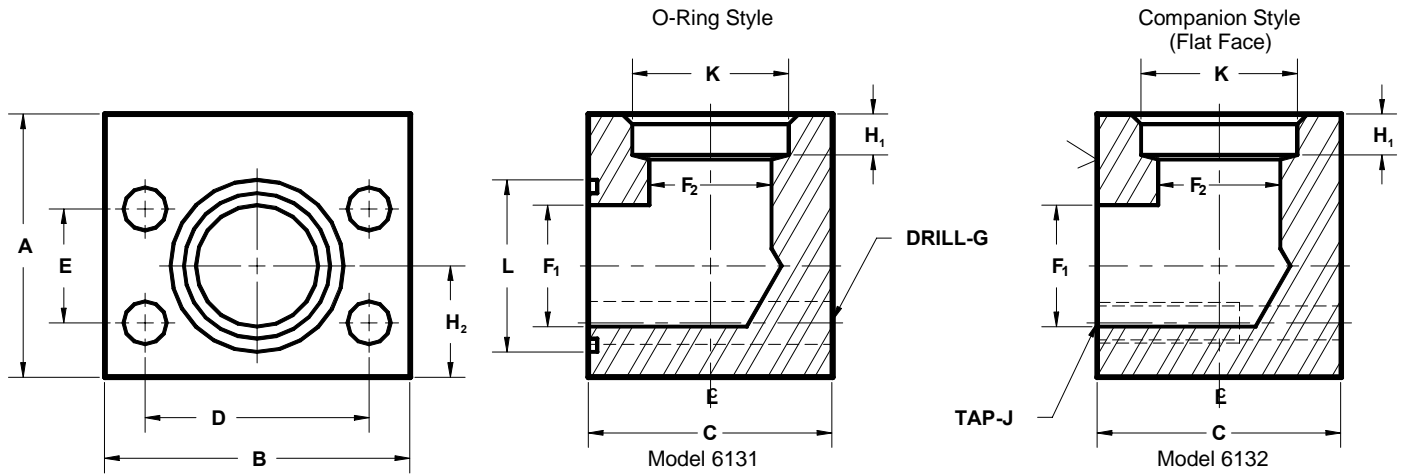


Developers and Manufacturers of  
Hydraulic Flanges & Components

## SOCKET WELD ELBOW TUBE FLANGES

SAE BOLT PATTERN

62 SERIES



FLANGE SIZE	TUBE SIZE	PART NUMBER	A	B	C	D	E	F <sub>1</sub>	F <sub>2</sub>	G	H <sub>1</sub>	H <sub>2</sub>	J	K	L	MOUNTING KIT <sup>①</sup>			WT
																PART NO.	BOLT SIZE	O-RING	
1/2	1/2	6131-08-08B	2.00	2.22	1.46	1.594	.718	.50	.31	.34	.38	.88	-----	.510	1.000	MK 541	5/16-18 X 2	210	1.6
		6132-08-08B								---									
1/2	3/4	6131-08-12B	2.00	2.22	1.46	1.594	.718	.50	.50	.34	.38	.88	-----	.760	1.000	MK 541	5/16-18 X 2	210	1.5
		6132-08-12B								---									
3/4	3/4	6131-12-12B	2.25	2.81	1.70	2.000	.937	.75	.62	.41	.38	1.00	-----	.760	1.250	MK 542	3/8-16 X 2 1/2	214	2.7
		6132-12-12B								---									
3/4	7/8	6131-12-14B	2.25	2.81	1.70	2.000	.937	.75	.75	.41	.50	1.00	-----	.885	1.250	MK 542	3/8-16 X 2 1/2	214	2.6
		6132-12-14B								---									
3/4	1	6131-12-16B	2.25	2.81	1.70	2.000	.937	.75	.75	.41	.50	1.00	-----	1.010	1.250	MK 542	3/8-16 X 2 1/2	214	2.5
		6132-12-16B								---									
1	1	6131-16-16B	2.50	3.19	2.21	2.250	1.093	1.00	.75	.47	.50	1.12	-----	1.010	1.562	MK 2533	7/16-14 X 3	219	4.7
		6132-16-16B								---									
1	1 1/4	6131-16-20B	2.50	3.19	2.21	2.250	1.093	1.00	1.00	.47	.50	1.12	-----	1.260	1.562	MK 2533	7/16-14 X 3	219	4.5
		6132-16-20B								---									
1 1/4	1 1/4	6131-20-20B	3.00	3.75	2.44	2.625	1.250	1.25	1.00	.53	.50	1.38	-----	1.260	1.750	MK 552	1/2-13 X 3 1/4	222	6.7
		6132-20-20B								---									
1 1/4	1 1/2	6131-20-24B	3.00	3.75	2.44	2.625	1.250	1.25	1.25	.53	.50	1.38	-----	1.510	1.750	MK 552	1/2-13 X 3 1/4	222	6.5
		6132-20-24B								---									
1 1/2	1 1/2	6131-24-24B	3.50	4.50	2.96	3.125	1.437	1.50	1.25	.66	.50	1.62	-----	1.510	2.125	MK 553	5/8-11 X 4	225	11.0
		6132-24-24B								---									
1 1/2	1 3/4	6131-24-28B	3.50	4.50	2.96	3.125	1.437	1.50	1.50	.66	.50	1.62	-----	1.760	2.125	MK 553	5/8-11 X 4	225	10.5
		6132-24-28B								---									
1 1/2	2	6131-24-32B	3.50	4.50	2.96	3.125	1.437	1.50	1.50	.66	.50	1.62	-----	2.010	2.125	MK 553	5/8-11 X 4	225	10.0
		6132-24-32B								---									
2	2	6131-32-32B	4.00	5.25	3.46	3.812	1.750	1.94	1.50	.78	.50	2.00	-----	2.010	2.500	MK 554	3/4-10 X 4 1/2	228	16.0
		6132-32-32B								---									
2	2 1/4	6131-32-36B	4.00	5.25	3.46	3.812	1.750	1.94	1.94	.78	.50	2.00	-----	2.260	2.500	MK 554	3/4-10 X 4 1/2	228	15.0
		6132-32-36B								---									

① Order Separately

MATERIAL : 304L STAINLESS STEEL  
10/00