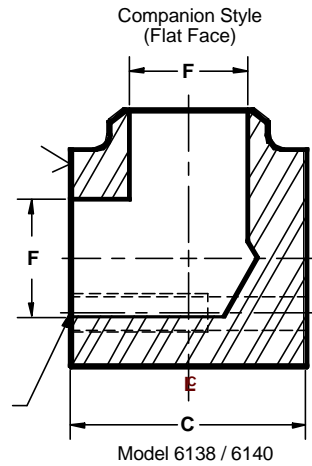
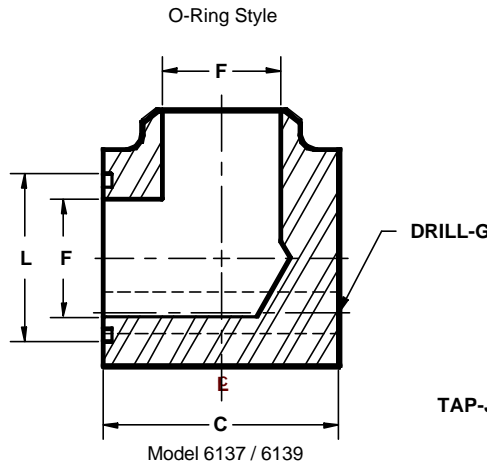
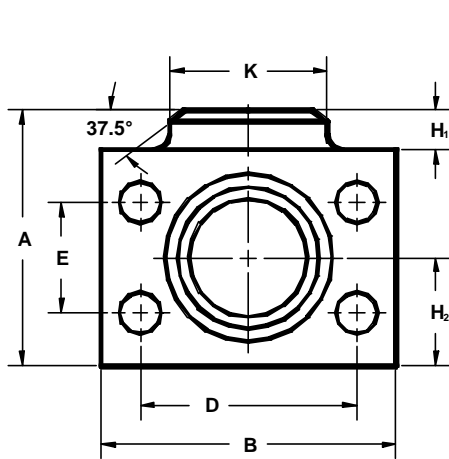


Developers and Manufacturers of  
Hydraulic Flanges & Components

## BUTT WELD ELBOW FLANGES

For Schedule 80 Pipe

SAE BOLT PATTERN										61 SERIES									
FLANGE SIZE	PIPE SIZE	PART NUMBER	A	B	C	D	E	F	G	H <sub>1</sub>	H <sub>2</sub>	J	K	L	MOUNTING KIT <sup>①</sup>			WT	
															PART NO.	BOLT SIZE	O-RING		
1/2	1/2	6137-08-08B	2.00	2.12	1.44	1.500	.688	.53	.34	.38	.75	5/16-18	.88	1.000	MK 541	5/16-18 X 2	210	1.3	
		---							---										
3/4	3/4	6137-12-12B	2.25	2.62	1.70	1.875	.875	.75	.41	.38	.88	3/8-16	1.12	1.250	MK 542	3/8-16 X 2 1/2	214	2.0	
		---							---										
1	1	6137-16-16B	2.50	2.82	1.94	2.062	1.031	.94	.41	.38	1.00	3/8-16	1.38	1.562	MK 543	3/8-16 X 2 3/4	219	2.7	
		---							---										
1 1/4	1 1/4	6137-20-20B	3.00	3.19	2.40	2.312	1.188	1.25	.47	.38	1.25	7/16-14	1.75	1.750	MK 578	7/16-14 X 3 1/4	222	4.0	
		---							---										
1 1/2	1 1/2	6137-24-24B	3.25	3.75	2.90	2.750	1.406	1.50	.53	.50	1.38	1/2-13	2.00	2.125	MK 545	1/2-13 X 4	225	7.0	
		---							---										
2	2	6137-32-32B	3.75	4.00	3.40	3.062	1.688	1.94	.53	.50	1.62	1/2-13	2.50	2.500	MK 546	1/2-13 X 4 1/2	228	9.5	
		---							---										
2 1/2 <sup>②</sup>	2 1/2	6137-40-40B	4.50	4.50	3.96	3.500	2.000	2.32	.53	.50	2.00	1/2-13	3.00	3.000	MK 547	1/2-13 X 5	232	15.0	
		---							---										
3 <sup>③</sup>	3	6137-48-48B	5.00	5.31	4.96	4.188	2.438	2.90	.66	.50	2.25	5/8-11	3.50	3.625	MK 548	5/8-11 X 6	237	27.2	
		---							---										
3 1/2 <sup>④</sup>	3 1/2	6137-56-56B	5.50	6.00	5.40	4.750	2.750	3.36	.66	.50	2.50	5/8-11	4.00	4.109	MK 549	5/8-11 X 6 1/2	241	37.0	
		---							---										
4 <sup>④</sup>	4	6137-64-64B	6.00	6.38	5.96	5.125	3.062	3.83	.66	.50	2.75	5/8-11	4.50	4.609	MK 550	5/8-11 X 7	245	48.0	
		---							---										
5 <sup>④</sup>	5	6137-80-80B	7.50	7.25	6.90	6.000	3.625	4.81	.66	.50	3.38	5/8-11	5.62	5.609	MK 1569	5/8-11 X 8	253	61.4	
		---							---										



SAE BOLT PATTERN										62 SERIES									
FLANGE SIZE	PIPE SIZE	PART NUMBER	A	B	C	D	E	F	G	H <sub>1</sub>	H <sub>2</sub>	J	K	L	MOUNTING KIT <sup>①</sup>			WT	
															PART NO.	BOLT SIZE	O-RING		
1/2	1/2	6139-08-08B	2.25	2.22	1.46	1.594	.718	.53	.34	.38	.88	5/16-18	.88	1.000	MK 541	5/16-18 X 2	210	1.5	
		---							---										
3/4	3/4	6139-12-12B	2.50	2.81	1.70	2.000	.937	.75	.41	.38	1.00	3/8-16	1.12	1.250	MK 542	3/8-16 X 2 1/2	214	2.5	
		---							---										
1	1	6139-16-16B	2.75	3.19	2.21	2.250	1.093	.94	.47	.38	1.12	7/16-14	1.38	1.562	MK 2533	7/16-14 X 3	219	4.2	
		---							---										
1 1/4	1 1/4	6139-20-20B	3.25	3.75	2.44	2.625	1.250	1.25	.53	.38	1.38	1/2-13	1.75	1.750	MK 552	1/2-13 X 3 1/4	222	6.3	
		---							---										
1 1/2	1 1/2	6139-24-24B	3.75	4.50	2.96	3.125	1.437	1.50	.66	.50	1.62	5/8-11	2.00	2.125	MK 553	5/8-11 X 4	225	10.0	
		---							---										
2	2	6139-32-32B	4.50	5.25	3.46	3.812	1.750	1.94	.78	.50	2.00	3/4-10	2.50	2.500	MK 554	3/4-10 X 4 1/2	228	15.0	
		---							---										
2 1/2 <sup>⑤</sup>	2 1/2	6139-40-40B	5.50	6.88	4.50	4.875	2.312	2.32	.94	.50	2.50	7/8-9	3.00	3.000	MK 2557	7/8-9 X 6	232	33.2	
		---							---										
3 <sup>⑤</sup>	3	6139-48-48B	6.50	8.50	5.00	6.000	2.812	2.90	1.19	.50	3.00	1 1/8-7	3.50	3.625	MK 756	1 1/8-7 X 7	237	48.0	
		---							---										

① Order Separately    ② 2500 PSI Max    ③ 2000 PSI Max    ④ 500 PSI Max    ⑤ Not included in SAE J518 specifications

MATERIAL : 304L STAINLESS STEEL