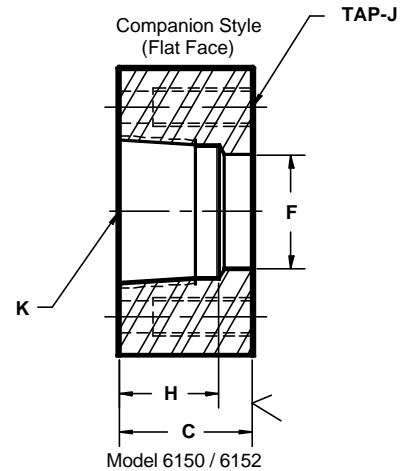
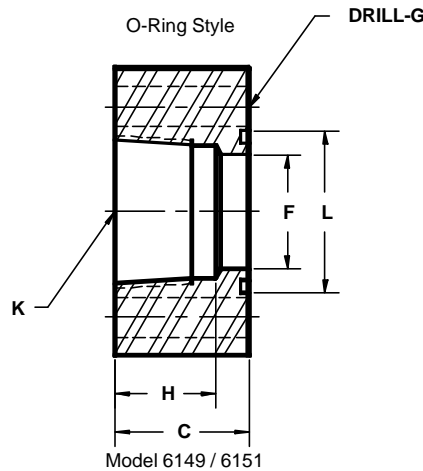
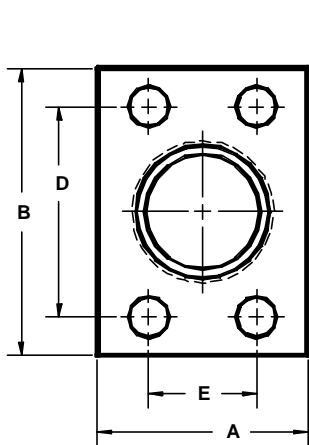


Developers and Manufacturers of  
Hydraulic Flanges & Components

## NPTF THREADED IN-LINE FLANGES

SAE BOLT PATTERN			61 SERIES														
FLANGE SIZE	PIPE SIZE	PART NUMBER	A	B	C	D	E	F	G	H	J	K	L	MOUNTING KIT <sup>①</sup>			WT
														PART NO.	BOLT SIZE	O-RING	
1/2	1/2	6149-08-08B	1.50	2.12	1.25	1.500	.688	.50	.34	1.06	-----	1/2	1.000	MK 519	5/16-18 X 1 3/4	210	.8
		6150-08-08B							---								
3/4	3/4	6149-12-12B	1.75	2.62	1.25	1.875	.875	.75	.41	1.06	-----	3/4	1.250	MK 520	3/8-16 X 2	214	1.2
		6150-12-12B							---								
1	1	6149-16-16B	2.00	2.82	1.50	2.062	1.031	1.00	.41	1.25	-----	1	1.562	MK 521	3/8-16 X 2 1/4	219	1.7
		6150-16-16B							---								
1 1/4	1 1/4	6149-20-20B	2.50	3.19	1.50	2.312	1.188	1.25	.47	1.31	-----	1 1/4	1.750	MK 522	7/16-14 X 2 1/4	222	2.3
		6150-20-20B							---								
1 1/2	1 1/2	6149-24-24B	2.75	3.75	1.75	2.750	1.406	1.50	.53	1.31	-----	1 1/2	2.125	MK 523	1/2-13 X 2 1/2	225	3.6
		6150-24-24B							---								
2	2	6149-32-32B	3.25	4.00	1.75	3.062	1.688	1.94	.53	1.31	-----	2	2.500	MK 524	1/2-13 X 2 1/2	228	4.2
		6150-32-32B							---								
2 1/2 <sup>②</sup>	2 1/2	6149-40-40B	4.00	4.50	2.00	3.500	2.000	2.44	.53	1.75	-----	2 1/2	3.000	MK 1515	1/2-13 X 2 3/4	232	6.5
		6150-40-40B							---								
3 <sup>③</sup>	3	6149-48-48B	4.50	5.50	2.25	4.188	2.438	2.94	.66	2.00	-----	3	3.625	MK 1516	5/8-11 X 3 1/2	237	9.8
		6150-48-48B							---								
3 1/2 <sup>④</sup>	3 1/2	6149-56-56B	5.00	6.00	2.25	4.750	2.750	3.44	.66	1.91	-----	3 1/2	4.109	MK 2576	5/8-11 X 3 1/2	241	11.0
		6150-56-56B							---								
4 <sup>④</sup>	4	6149-64-64B	5.50	6.50	2.50	5.125	3.062	3.94	.66	2.06	-----	4	4.609	MK 2545	5/8-11 X 3 1/2	245	14.5
		6150-64-64B							---								



SAE BOLT PATTERN			62 SERIES														
FLANGE SIZE	PIPE SIZE	PART NUMBER	A	B	C	D	E	F	G	H	J	K	L	MOUNTING KIT <sup>①</sup>			WT
														PART NO.	BOLT SIZE	O-RING	
1/2	1/2	6151-08-08B	1.75	2.22	1.25	1.594	.718	.50	.34	1.06	-----	1/2	1.000	MK 519	5/16-18 X 1 3/4	210	1.1
		6152-08-08B							---								
3/4	3/4	6151-12-12B	2.00	2.81	1.25	2.000	.937	.75	.41	1.06	-----	3/4	1.250	MK 520	3/8-16 X 2	214	1.5
		6152-12-12B							---								
1	1	6151-16-16B	2.25	3.19	1.50	2.250	1.093	1.00	.47	1.25	-----	1	1.562	MK 525	7/16-14 X 2 1/4	219	2.3
		6152-16-16B							---								
1 1/4	1 1/4	6151-20-20B	2.75	3.75	1.50	2.625	1.250	1.25	.53	1.31	-----	1 1/4	1.750	MK 526	1/2-13 X 2 1/2	222	3.7
		6152-20-20B							---								
1 1/2	1 1/2	6151-24-24B	3.25	4.50	1.75	3.125	1.437	1.50	.66	1.31	-----	1 1/2	2.125	MK 527	5/8-11 X 2 3/4	225	5.6
		6152-24-24B							---								
2	2	6151-32-32B	4.00	5.25	1.75	3.812	1.750	1.94	.78	1.31	-----	2	2.500	MK 516	3/4-10 X 3	228	7.8
		6152-32-32B							---								
2 1/2 <sup>⑤</sup>	2 1/2	6151-40-40B	5.00	6.88	2.00	4.875	2.312	2.44	.94	1.75	-----	2 1/2	3.000	MK 517	7/8-9 X 3 1/2	232	15.1
		6152-40-40B							---								
3 <sup>⑤</sup>	3	6151-48-48B	6.00	8.50	2.50	6.000	2.812	2.94	1.19	2.00	-----	3	3.625	MK 718	1 1/8-7 X 4 1/2	237	27.5
		6152-48-48B							---								

① Order Separately    ② 2500 PSI Max    ③ 2000 PSI Max    ④ 500 PSI Max    ⑤ Not included in SAE J518 specifications    MATERIAL : 304L STAINLESS STEEL 10/00