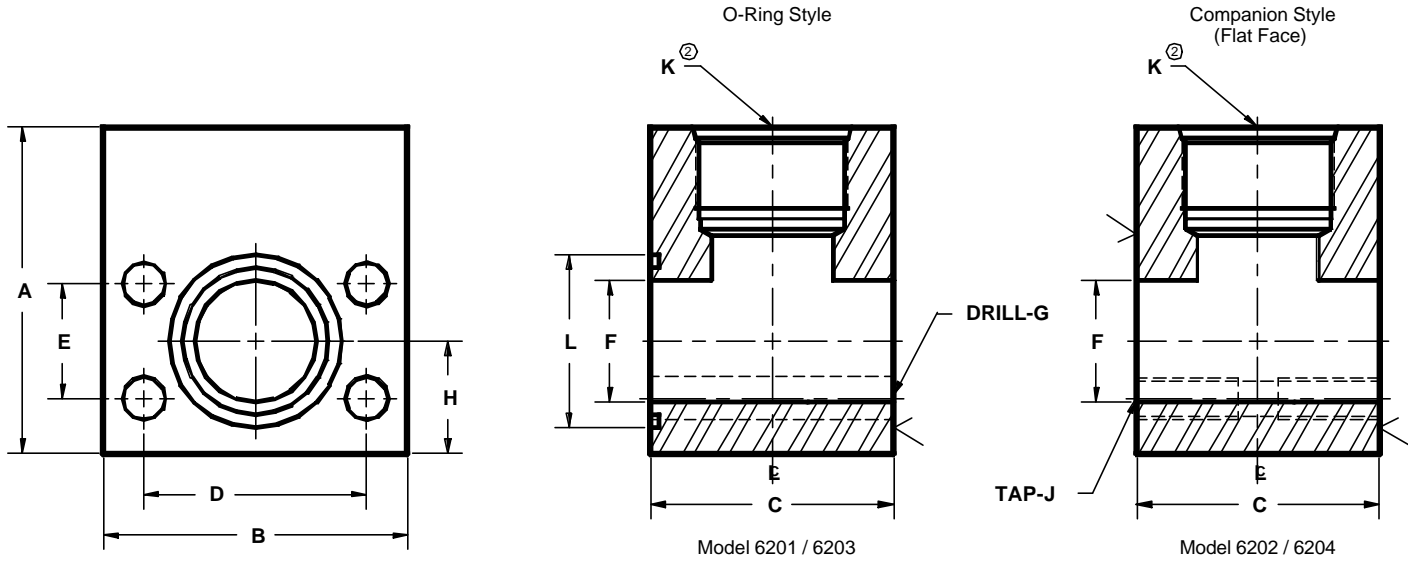


Developers and Manufacturers of
Hydraulic Flanges & Components

SAE STRAIGHT THREADED RUN TEE FLANGES

SAE BOLT PATTERN			61 SERIES												
FLANGE SIZE	TUBE SIZE	PART NUMBER	A	B	C	D	E	F	G	H	J	K	L	O-RING NO.①	WT
1/2	-8	6201-08-08D	2.00	2.12	1.44	1.500	.688	.50	.34	.75	5/16-18	3/4-16	1.000	210	1.5
		6202-08-08D							---						
3/4	-10	6201-12-10D	2.50	2.62	1.70	1.875	.875	.50	.41	.88	3/8-16	7/8-14	1.250	214	2.7
		6202-12-10D							---						
3/4	-12	6201-12-12D	2.50	2.62	1.70	1.875	.875	.75	.41	.88	3/8-16	1 1/16-12	1.250	214	2.5
		6202-12-12D							---						
1	-14	6201-16-14D	3.00	2.82	1.94	2.062	1.031	.75	.41	1.00	3/8-16	1 3/16-12	1.562	219	3.7
		6202-16-14D							---						
1	-16	6201-16-16D	3.00	2.82	1.94	2.062	1.031	1.00	.41	1.00	3/8-16	1 5/16-12	1.562	219	3.5
		6202-16-16D							---						
1 1/4	-20	6201-20-20D	3.50	3.19	2.40	2.312	1.188	1.25	.47	1.25	7/16-14	1 5/8-12	1.750	222	5.7
		6202-20-20D							---						
1 1/2	-24	6201-24-24D	4.00	3.75	2.90	2.750	1.406	1.50	.53	1.38	1/2-13	1 7/8-12	2.125	225	10.0
		6202-24-24D							---						
2	-32	6201-32-32D	4.25	4.00	3.94	3.062	1.688	1.94	.53	1.62	1/2-13	2 1/2-12	2.500	228	14.0
		6202-32-32D							---						



SAE BOLT PATTERN			62 SERIES												
FLANGE SIZE	TUBE SIZE	PART NUMBER	A	B	C	D	E	F	G	H	J	K	L	O-RING NO.①	WT
1/2	-8	6203-08-08D	2.00	2.22	1.46	1.594	.718	.50	.34	.88	5/16-18	3/4-16	1.000	210	1.7
		6204-08-08D							---						
3/4	-10	6203-12-10D	2.50	2.81	1.70	2.000	.937	.50	.41	1.00	3/8-16	7/8-14	1.250	214	3.0
		6204-12-10D							---						
3/4	-12	6203-12-12D	2.50	2.81	1.70	2.000	.937	.75	.41	1.00	3/8-16	1 1/16-12	1.250	214	2.7
		6204-12-12D							---						
1	-14	6203-16-14D	3.00	3.19	1.96	2.250	1.093	.75	.47	1.12	7/16-14	1 3/16-12	1.562	219	4.5
		6204-16-14D							---						
1	-16	6203-16-16D	3.00	3.19	1.96	2.250	1.093	1.00	.47	1.12	7/16-14	1 5/16-12	1.562	219	4.5
		6204-16-16D							---						
1 1/4	-20	6203-20-20D	4.00	3.75	2.44	2.625	1.250	1.25	.53	1.38	1/2-13	1 5/8-12	1.750	222	7.8
		6204-20-20D							---						
1 1/2	-24	6203-24-24D	4.00	4.50	2.96	3.125	1.437	1.50	.66	1.62	5/8-11	1 7/8-12	2.125	225	12.0
		6204-24-24D							---						
2	-32	6203-32-32D	5.00	5.25	3.94	3.812	1.750	1.94	.78	2.00	3/4-10	2 1/2-12	2.500	228	20.2
		6204-32-32D							---						

① Included ② SAE has a lower rating on the St. Thd. fitting than the flange pad. Check the fitting manufacturer for details. MATERIAL : 316L STAINLESS STEEL
10/00