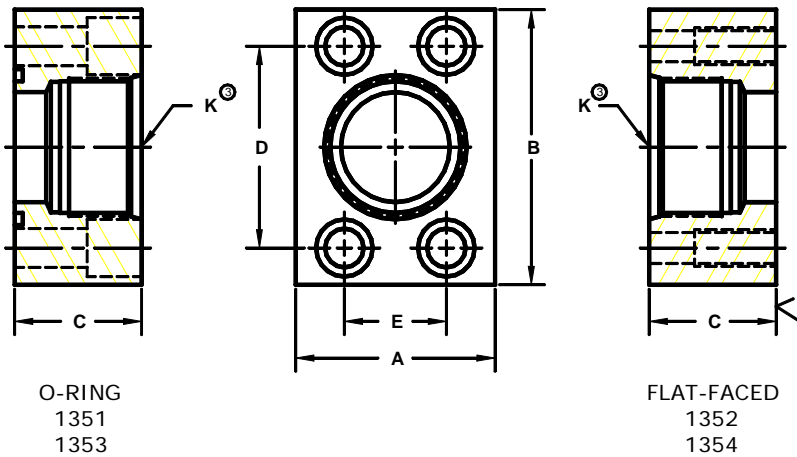


Developers and Manufacturers of Hydraulic Flanges & Components

## BSPB ST THREADED IN-LINE FLANGES

SAE BOLT PATTERN									61 SERIES			
FLANGE SIZE	PORT SIZE	PART NUMBER	A	B	C	D	E	K	MOUNTING KIT <sup>Ⓢ</sup>			WT
									PART NO.	BOLT SIZE	O-RING	
1/2	-8	1351-08-08	1.50	2.12	1.25	1.500	.688	1/2-14	MK 501	5/16-18 X 1 1/4	210	.9
		1352-08-08										
3/4	-12	1351-12-12	1.75	2.62	1.50	1.875	.875	3/4-14	MK 1525	3/8-16 X 1 1/2	214	1.4
		1352-12-12										
1	-16	1351-16-16	2.00	2.82	1.50	2.062	1.031	1-11	MK 1542	3/8-16 X 1 1/2	219	1.7
		1352-16-16										
1 1/4	-20	1351-20-20	2.50	3.19	1.50	2.312	1.188	1 1/4-11	MK 1527	7/16-14 X 1 1/2	222	2.3
		1352-20-20										
1 1/2	-24	1351-24-24	2.75	3.75	1.75	2.750	1.406	1 1/2-11	MK 1547	1/2-13 X 1 3/4	225	3.5
		1352-24-24										
2	-32	1351-32-32	3.25	4.00	2.00	3.062	1.688	2-11	MK 582	1/2-13 X 1 3/4	228	4.2
		1352-32-32										



SAE BOLT PATTERN									62 SERIES			
FLANGE SIZE	PORT SIZE	PART NUMBER	A	B	C	D	E	K	MOUNTING KIT <sup>Ⓢ</sup>			WT
									PART NO.	BOLT SIZE	O-RING	
1/2	-8	1353-08-08	1.75	2.22	1.25	1.594	.718	1/2-14	MK 501	5/16-18 X 1 1/4	210	1.1
		1354-08-08										
3/4	-12	1353-12-12	2.00	2.81	1.50	2.000	.937	3/4-14	MK 1525	3/8-16 X 1 1/2	214	1.8
		1354-12-12										
1	-16	1353-16-16	2.25	3.19	1.50	2.250	1.093	1-11	MK 1529	7/16-14 X 1 1/2	219	2.3
		1354-16-16										
1 1/4	-20	1353-20-20	3.00	3.75	1.50	2.625	1.250	1 1/4-11	MK 1523	1/2-13 X 1 1/2	222	3.7
		1354-20-20										
1 1/2	-24	1353-24-24	3.25	4.50	1.75	3.125	1.437	1 1/2-11	MK 1544	5/8-11 X 1 3/4	225	5.5
		1354-24-24										
2	-32	1353-32-32	4.00	5.25	2.00	3.812	1.750	2-11	MK 563	3/4-10 X 2	228	8.0
		1354-32-32										

1. Order Separately. 3. The BSPB fitting may have a lower rating than the flange pad. Check the fitting manufacturer for details.