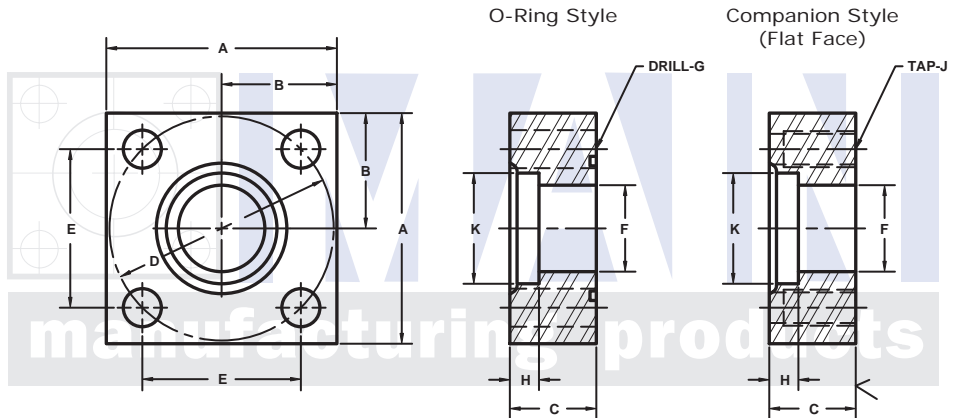


SOCKET WELD IN-LINE PIPE FLANGES

FLANGE SIZE	PIPE SIZE	ISO 6164		250 BAR SERIES										WT																																														
		PART NUMBER	A	B	C	Dmm	E	F	Gmm	H	K	MOUNTING KIT®																																																
												Jmm	PART NO.		BOLT SIZE	O-RING																																												
10	3/8	1631-06-06M	4.00	2.00	1.60	98	2.728	1.94	17.5	.62	2.411	MKM 3531	M16 x 65	228	4.9																																													
		1632-06-06M							-----			-----	---																																															
13	1/2	1631-08-08M							4.75			2.38	1.88	118		3.285	2.44	22.0	.75	2.911	MKM 5573	M20 x 80	232	7.8																																				
		1632-08-08M																-----			-----	---																																						
19	3/4	1631-12-12M																5.50			2.75	2.28	145		4.037	2.94	22.0	.75	3.540	MKM 5558	M20 x 90	237	12.8																											
		1632-12-12M																									-----			-----	---																													
25	1	1631-16-16M																									5.50			2.75	2.28	145		4.037	2.94	22.0	.75	3.540	MKM 5558	M20 x 90	237	12.8																		
		1632-16-16M																																		-----			-----	---																				
32	1 1/4	1631-20-20M																																		5.50			2.75	2.28	145		4.037	2.94	22.0	.75	3.540	MKM 5558	M20 x 90	237	12.8									
		1632-20-20M																																											-----			-----	---											
38	1 1/2	1631-24-24M																																											5.50			2.75	2.28	145		4.037	2.94	22.0	.75	3.540	MKM 5558	M20 x 90	237	12.8
		1632-24-24M																																																				-----			-----	---		

PLEASE USE THE 400 BAR SERIES FOUND BELOW. THE BLOCK SIZE, BOLT PATTERN AND THE O-RING ARE IDENTICAL IN FLANGE SIZES 10 - 38. IF YOU HAVE ANY QUESTIONS PLEASE CALL ENGINEERING AT 1-800-521-7918.



3181 TRI-PARK DR. GRAND BLANC, MI 48439 800-521-7918 810-953-1380 810-953-1385 INFO@MAINMFG.COM
 Model 1631 / 1635 Model 1632 / 1636

FLANGE SIZE	PIPE SIZE	ISO 6164		400 BAR SERIES										WT																																														
		PART NUMBER	A	B	C	Dmm	E	F	Gmm	H	K	MOUNTING KIT®																																																
												Jmm	PART NO.		BOLT SIZE	O-RING																																												
10	3/8	1635-06-06M	1.50	.75	.73	35	.974	.44	6.5	.38	.688	MKM 5546	M6 x 30	115	.4																																													
		1636-06-06M							-----			-----	---																																															
13	1/2	1635-08-08M							1.75			.88	.81	42		1.170	.50	9.0	.50	.860	MKM 512	M8 x 35	210	.5																																				
		1636-08-08M																-----			-----	---																																						
19	3/4	1635-12-12M																2.00			1.00	.90	50		1.392	.75	9.0	.50	1.070	MKM 5559	M8 x 35	214	.7																											
		1636-12-12M																									-----			-----	---																													
25	1	1635-16-16M																									2.50			1.25	1.00	62		1.726	1.00	11.0	.50	1.335	MKM 503	M10 x 40	219	1.3																		
		1636-16-16M																																		-----			-----	---																				
32	1 1/4	1635-20-20M																																		3.00			1.50	1.20	73		2.032	1.25	13.5	.50	1.680	MKM 1502	M12 x 50	222	2.2									
		1636-20-20M																																											-----			-----	---											
38	1 1/2	1635-24-24M																																											3.50			1.75	1.44	85		2.366	1.50	17.5	.62	1.920	MKM 515	M16 x 60	225	3.4
		1636-24-24M																																																				-----			-----	---		
51	2	1635-32-32M	4.00	2.00	1.60	98	2.728	1.69		17.5	.62				2.411																																							MKM 5560			M16 x 65	331	5.0	
		1636-32-32M								-----																																												-----			---			
56	2 1/2	1635-40-40M							4.75	2.38		1.98	118	3.285		2.12	22.0		.75	2.911				MKM 5538																														M20 x 80			335	8.5		
		1636-40-40M															-----							-----																														---						
63	3	1635-48-48M															6.00	3.00			2.12	145	4.037	2.32	26.0	.75		3.540	MKM 5561				M24 x 90																					337			15.6			
		1636-48-48M																							-----				-----				---																											
70	3 1/2	1635-56-56M																							6.50		3.25		2.46	160	4.454	2.73	26.0	.75	4.045		MKM 5562	M24 x 100				340												21.3						
		1636-56-56M																															-----				-----	---																						
80	4	1635-64-64M																															7.00			3.50	2.85	175	4.872	3.15	33.0	.75	4.550	MKM 5563		M30 x 120	341				26.8									
		1636-64-64M																																							-----			-----		---														

① Order Separately

NOTE: DIMENSIONS ARE IN INCHES UNLESS OTHERWISE NOTED.