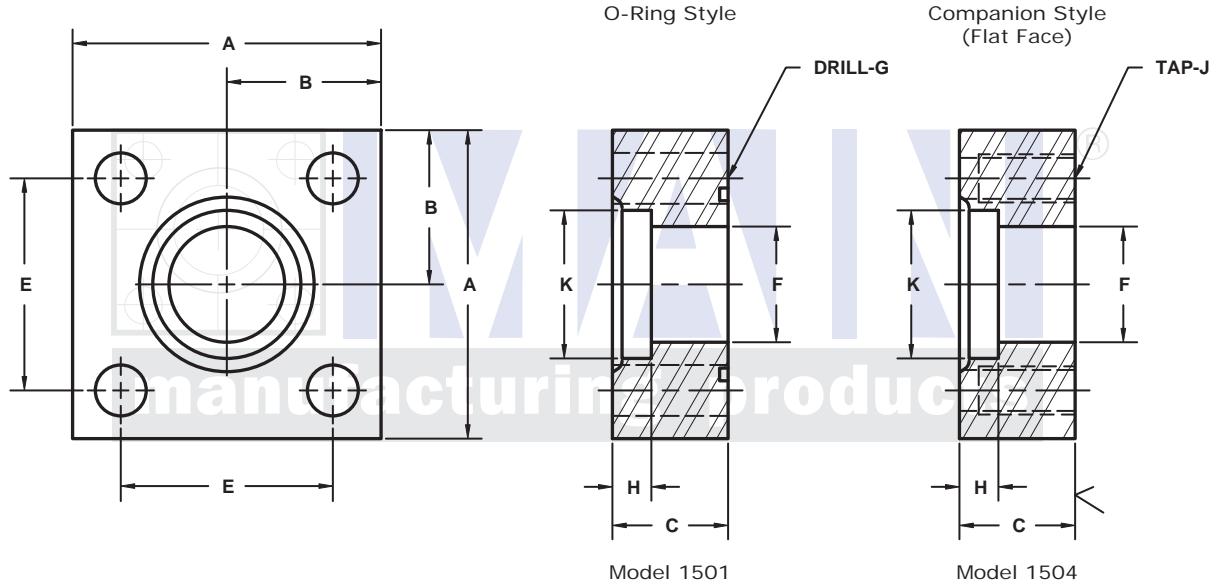


# JIS B 2291, 210K, SOCKET WELD IN-LINE PIPE FLANGES

## TYPE SHA & SHB(TAPPED)



3181 TRI-PARK DR. GRAND BLANC, MI 48439 800-521-7918 810-953-1380 FAX 810-953-1385 INFO@MAINMFG.COM

FLANGE SIZE	PIPE SIZE	PART NUMBER	A	B	C	Emm	E	F	G		H	K	MOUNTING KIT®			WT
									Gmm	Jmm			PART NO.	BOLT SIZE	O-RING	
15	15	1501-08-08M	2.50	1.25	.87	40.0	1.574	.63	11.0	.43	.874	MKM 4571	M10 x 40	G25	1.3	
		M10x1.5							-----							---
20	15	1501-12-08M	2.75	1.38	.87	45.0	1.772	.63	11.0	.43	.874	MKM 4572	M10 x 40	G30	1.6	
		M10x1.5							-----							---
20	20	1501-12-12M	2.75	1.38	.87	45.0	1.772	.81	11.0	.47	1.091	MKM 4572	M10 x 40	G30	1.5	
		M10x1.5							-----							---
25	20	1501-16-12M	3.25	1.62	1.10	53.0	2.086	.81	13.0	.47	1.091	MKM 4573	M12 x 50	G35	2.8	
		M12x1.75							-----							---
25	25	1501-16-16M	3.25	1.62	1.10	53.0	2.086	.98	13.0	.55	1.358	MKM 4573	M12 x 50	G35	2.5	
		M12x1.75							-----							---
32	25	1501-20-16M	3.50	1.75	1.10	63.0	2.480	.98	13.0	.55	1.358	MKM 4574	M12 x 50	G40	3.1	
		M12x1.75							-----							---
32	32	1501-20-20M	3.50	1.75	1.10	63.0	2.480	1.24	13.0	.63	1.701	MKM 4574	M12 x 50	G40	2.9	
		M12x1.75							-----							---
40	32	1501-24-20M	4.00	2.00	1.38	70.0	2.756	1.24	18.0	.63	1.701	MKM 4575	M16 x 60	G50	5.0	
		M16x2							-----							---
40	40	1501-24-24M	4.00	2.00	1.38	70.0	2.756	1.48	18.0	.71	1.933	MKM 4575	M16 x 60	G50	4.7	
		M16x2							-----							---
50	40	1501-32-24M	4.50	2.25	1.38	80.0	3.150	1.48	18.0	.71	1.933	MKM 4576	M16 x 60	G60	5.8	
		M16x2							-----							---
50	50	1501-32-32M	4.50	2.25	1.38	80.0	3.150	1.87	18.0	.79	2.406	MKM 4576	M16 x 60	G60	5.7	
		M16x2							-----							---
65	50	1501-40-32M	5.50	2.75	1.75	100.0	3.937	1.87	22.0	.79	2.406	MKM 4577	M20 x 75	G75	10.7	
		M20x2.5							-----							---
65	65	1501-40-40M	5.50	2.75	1.75	100.0	3.937	2.36	22.0	.86	3.035	MKM 4577	M20 x 75	G75	10.4	
		M20x2.5							-----							---
80	80	1501-48-48M	6.25	3.12	1.75	112.0	4.409	2.80	24.0	.98	3.543	MKM 4578	M22 x 80	G85	13.0	
		M22x2.5							-----							---

① Order Separately

NOTE: DIMENSIONS ARE IN INCHES UNLESS OTHERWISE NOTED.