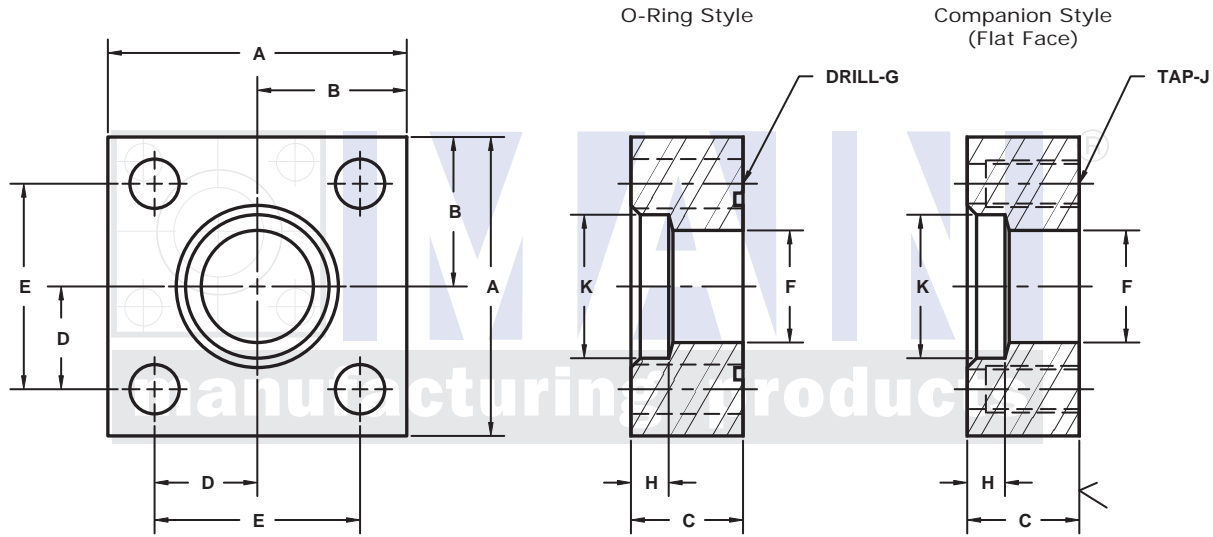


4 BOLT SQUARE, SOCKET WELD IN-LINE PIPE FLANGES

3000 SERIES



Model 1387

Model 1388

3181 TRI-PARK DR. GRAND BLANC, MI 48439 800-521-7918 810-953-1380 FAX 810-953-1385 INFO@MAINMFG.COM

FLANGE SIZE	PIPE SIZE	PART NUMBER	A	B	C	D	E	F	G		H	K	MOUNTING KIT®			WT
									J				PART NO.	BOLT SIZE	O-RING	
1/2	1/2	1387-08-08	2.25	1.12	1.00	.719	1.438	.50	.41	.50	.860	MK 528	3/8-16 x 1 3/4	216	1.2	
		3/8-16							-----							---
3/4	3/4	1387-12-12	2.25	1.12	1.00	.719	1.438	.75	.41	.50	1.070	MK 528	3/8-16 x 1 3/4	216	1.1	
		3/8-16							-----							---
1	3/4	1387-16-12	3.00	1.50	1.00	1.000	2.000	.75	.53	.50	1.070	MK 529	1/2-13 x 1 3/4	222	2.1	
		1/2-13							-----							---
1	1	1387-16-16	3.00	1.50	1.00	1.000	2.000	1.00	.53	.50	1.335	MK 529	1/2-13 x 1 3/4	222	2.0	
		1/2-13							-----							---
1 1/4	1 1/4	1387-20-20	3.00	1.50	1.00	1.000	2.000	1.25	.53	.50	1.680	MK 529	1/2-13 x 1 3/4	222	1.8	
		1/2-13							-----							---
1 1/2	1 1/4	1387-24-20	4.00	2.00	1.25	1.375	2.750	1.25	.66	.50	1.680	MK 530	5/8-11 x 2 1/4	228	4.5	
		5/8-11							-----							---
1 1/2	1 1/2	1387-24-24	4.00	2.00	1.25	1.375	2.750	1.50	.66	.62	1.920	MK 530	5/8-11 x 2 1/4	228	4.4	
		5/8-11							-----							---
2	2	1387-32-32	4.00	2.00	1.25	1.375	2.750	1.94	.66	.62	2.411	MK 530	5/8-11 x 2 1/4	228	3.8	
		5/8-11							-----							---
2 1/2	2 1/2	1387-40-40	5.50	2.75	1.50	1.875	3.750	2.44	.94	.75	2.911	MK 531	7/8-9 x 2 3/4	236	9.5	
		7/8-9							-----							---
3	3	1387-48-48	5.50	2.75	1.50	1.875	3.750	2.88	.94	.75	3.540	MK 531	7/8-9 x 2 3/4	236	8.4	
		7/8-9							-----							---
3 1/2	3 1/2	1387-56-56	6.00	3.00	1.75	2.125	4.250	3.38	.94	.75	4.045	MK 589	7/8-9 x 3	240	10.7	
		7/8-9							-----							---
4	4	1387-64-64	7.00	3.50	2.00	2.500	5.000	3.88	1.06	.75	4.550	MK 572	1-8 x 3 1/2	347	18.3	
		1-8							-----							---
5	5	1387-80-80	8.00	4.00	2.50	3.000	6.000	4.81	1.06	1.00	5.635	MK 590	1-8 x 4	335	28.0	
		1-8							-----							---
6	6	1387-96-96	10.00	5.00	2.50	3.500	7.000	5.75	1.31	1.00	6.697	MK 573	1 1/4-7 x 4 1/2	362	45.8	
		1 1/4-7							-----							---

① Order Separately