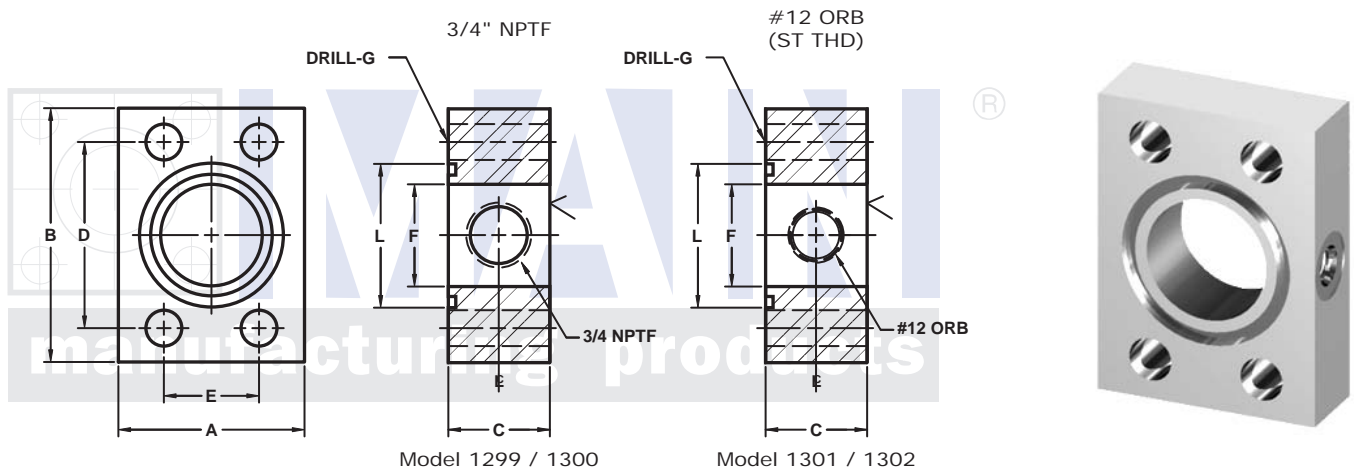


# GAUGE PORT ADAPTERS

3/4" GAUGE PORTS

SAE BOLT PATTERN			61 SERIES										
FLANGE SIZE	PIPE SIZE	PART NUMBER	A	B	C	D	E	F	G	L	O-RING <sup>①</sup>	WT	
1/2	NA	1299-08-08	USE 1197-08-12									210	
		1301-08-08	USE 1201-08-12										
3/4	NA	1299-12-12	USE 1197-12-12									214	
		1301-12-12	USE 1201-12-12										
1	NA	1299-16-16	USE 1197-16-12									219	
		1301-16-16	USE 1201-16-12										
1 1/4	NA	1299-20-20	2.50	3.19	1.75	2.312	1.188	1.25	.47	1.750	222	2.8	
		1301-20-20											
1 1/2	NA	1299-24-24	2.75	3.75	1.75	2.750	1.406	1.50	.53	2.125	225	3.6	
		1301-24-24											
2	NA	1299-32-32	3.25	4.00	1.75	3.062	1.688	1.94	.53	2.500	228	4.3	
		1301-32-32											
2 1/2 <sup>②</sup>	NA	1299-40-40	4.00	4.50	1.75	3.500	2.000	2.44	.53	3.000	232	6.0	
		1301-40-40											
3 <sup>③</sup>	NA	1299-48-48	4.50	5.31	2.00	4.188	2.438	2.94	.66	3.625	237	8.7	
		1301-48-48											



3181 TRI-PARK DR. GRAND BLANC, MI 48439 800-521-7918 810-953-1380 FAX 810-953-1385 INFO@MAINMFG.COM

SAE BOLT PATTERN			62 SERIES										
FLANGE SIZE	PIPE SIZE	PART NUMBER	A	B	C	D	E	F	G	L	O-RING <sup>①</sup>	WT	
1/2	NA	1300-08-08	USE 1199-08-12									210	
		1302-08-08	USE 1203-08-12										
3/4	NA	1300-12-12	USE 1199-12-12									214	
		1302-12-12	USE 1203-12-12										
1	NA	1300-16-16	USE 1199-16-12									219	
		1302-16-16	USE 1203-16-12										
1 1/4	NA	1300-20-20	3.00	3.75	1.75	2.625	1.250	1.25	.53	1.750	222	4.3	
		1302-20-20											
1 1/2	NA	1300-24-24	3.25	4.50	1.75	3.125	1.437	1.50	.66	2.125	225	5.4	
		1302-24-24											
2	NA	1300-32-32	4.00	5.25	1.75	3.812	1.750	1.94	.78	2.500	228	7.7	
		1302-32-32											

① Includes Buna N O-Ring ② 2500 PSI Max ③ 2000 PSI Max