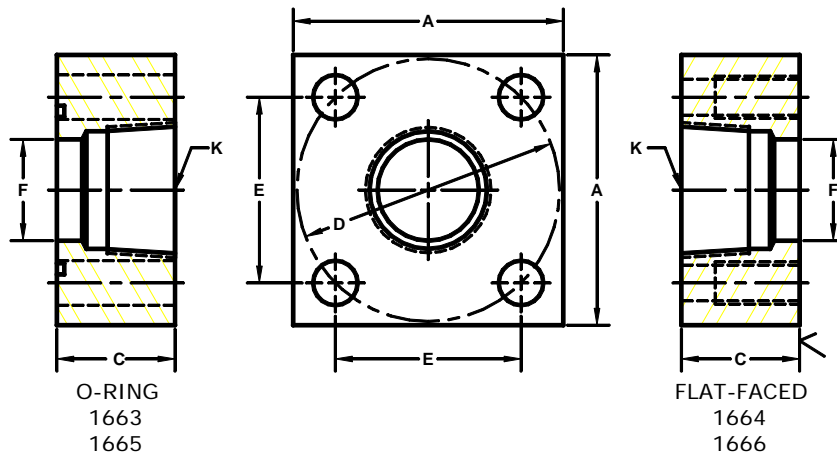


Developers and Manufacturers of Hydraulic Flanges & Components

## ISO6164 NPTF THREADED IN-LINE FLANGES

ISO 6164			250 BAR SERIES																		
FLANGE SIZE	PIPE SIZE	PART NUMBER	A	C	D <sub>mm</sub>	E	F	K	MOUNTING KIT <sup>①</sup>			WT									
									PART NO.	BOLT SIZE	O-RING										
13	1/2	1663-08-08M	PLEASE USE THE 400 BAR SERIES FOUND BELOW. THE BLOCK SIZE, BOLT PATTERN AND THE O-RING ARE IDENTICAL IN FLANGE SIZES 13 – 38. IF YOU HAVE ANY QUESTIONS CALL ENGINEERING AT 1-800-521-7918.																		
		1664-08-08M																			
19	3/4	1663-12-12M																			
		1664-12-12M																			
25	1	1663-16-16M																			
		1664-16-16M																			
32	1 1/4	1663-20-20M																			
		1664-20-20M																			
38	1 1/2	1663-24-24M																			
		1664-24-24M																			
51	2	1663-32-32M											4.00	1.75	98	2.728	1.94	2	MKM 3531	M16 X 65	228
		1664-32-32M																			
56	2 1/2	1663-40-40M	4.75	2.00	118	3.285	2.44	2 1/2	MKM 5573	M20 x 80	232										
		1664-40-40M																			
63	3	1663-48-48M	5.50	2.25	145	4.037	2.94	3	MKM 5558	M20 X 90	237										
		1664-48-48M																			



ISO 6164			400 BAR SERIES									
FLANGE SIZE	PIPE SIZE	PART NUMBER	A	C	D <sub>mm</sub>	E	F	K	MOUNTING KIT <sup>①</sup>			WT
									PART NO.	BOLT SIZE	O-RING	
13	1/2	1665-08-08M	1.75	1.25	42	1.170	.50	1/2	MKM 519	M8 X 45	210	
		1666-08-08M										
19	3/4	1665-12-12M	2.00	1.25	50	1.392	.75	3/4	MKM 5565	M8 X 45	214	
		1666-12-12M										
25	1	1665-16-16M	2.50	1.50	62	1.726	1.00	1	MKM 5566	M10 X 55	219	
		1666-16-16M										
32	1 1/4	1665-20-20M	3.00	1.50	73	2.032	1.25	1 1/4	MKM 522	M12 X 55	222	
		1666-20-20M										
38	1 1/2	1665-24-24M	3.50	1.75	85	2.366	1.50	1 1/2	MKM 2541	M16 X 60	225	
		1666-24-24M										
51	2	1665-32-32M	4.00	1.75	98	2.728	1.69	2	MKM 540	M16 X 70	331	
		1666-32-32M										
56	2 1/2	1665-40-40M	4.75	2.00	118	3.285	2.12	2 1/2	MKM 5538	M20 X 80	335	
		1666-40-40M										
63	3	1665-48-48M	6.00	2.50	145	4.037	2.32	3	MKM 5567	M24 X 100	337	
		1666-48-48M										
70	3 1/2	1665-56-56M	6.50	2.50	160	4.454	2.73	3 1/2	MKM 5562	M24 X 100	340	
		1666-56-56M										
80	4	1665-64-64M	7.00	2.85	175	4.872	3.15	4	MKM 5563	M30 X 120	341	
		1666-64-64M										

1. Order Separately

©Copyright March 2006

NOTE: DIMENSIONS ARE IN INCHES UNLESS OTHERWISE NOTED.