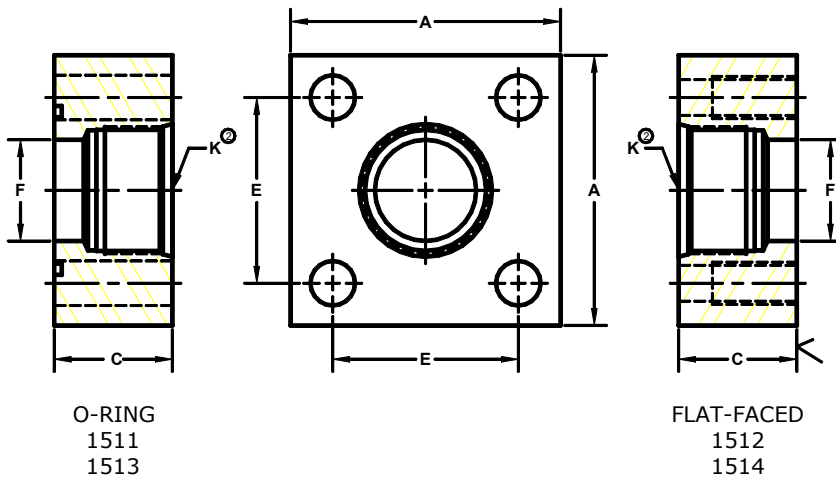


Developers and Manufacturers of
Hydraulic Flanges & Components

SQUARE, JIS SAE ST THREADED IN-LINE FLANGES

JIS B 2291 210K BOLT PATTERN									TYPE SHA & SHB		
FLANGE SIZE	PORT SIZE	PART NUMBER	A	C	E _{mm}	E	F	K	MOUNTING KIT ^①		
									PART NO.	BOLT SIZE	O-RING
15	-8	1511-08-08M	2.50	1.25	40.0	1.574	.50	3/4-16	MKM 4586	M10 x 35	G25
		1512-08-08M							-----	---	
20	-12	1511-12-12M	2.75	1.50	45.0	1.772	.75	1 1/16-12	MKM 5505	M10 x 40	G30
		1512-12-12M							-----	---	
25	-16	1511-16-16M	3.25	1.50	53.0	2.086	1.00	1 5/16-12	MKM 5506	M12 x 40	G35
		1512-16-16M							-----	---	
32	-20	1511-20-20M	3.50	1.50	63.0	2.480	1.25	1 5/8-12	MKM 5526	M12 x 40	G40
		1512-20-20M							-----	---	
40	-24	1511-24-24M	4.00	1.75	70.0	2.756	1.50	1 7/8-12	MKM 4590	M16 x 45	G50
		1512-24-24M							-----	---	
50	-32	1511-32-32M	4.50	1.75	80.0	3.150	1.94	2 1/2-12	MKM 4591	M16 x 45	G60
		1512-32-32M							-----	---	



JIS B 2291 210K BOLT PATTERN									TYPE SSA & SSB		
FLANGE SIZE	PORT SIZE	PART NUMBER	A	C	E _{mm}	E	F	K	MOUNTING KIT ^①		
									PART NO.	BOLT SIZE	O-RING
15	-8	1513-08-08M	2.25	1.25	36.0	1.417	.50	3/4-16	MKM 4586	M10 X 35	G25
		1514-08-08M							-----	---	
20	-12	1513-12-12M	2.50	1.50	40.0	1.574	.75	1 1/16-12	MKM 5505	M10 x 40	G30
		1514-12-12M							-----	---	
25	-16	1513-16-16M	3.00	1.50	48.0	1.890	1.00	1 5/16-12	MKM 5506	M12 X 40	G35
		1514-16-16M							-----	---	
32	-20	1513-20-20M	3.25	1.50	56.0	2.205	1.25	1 5/8-12	MKM 5526	M12 x 40	G40
		1514-20-20M							-----	---	
40	-24	1513-24-24M	3.75	1.75	65.0	2.559	1.50	1 7/8-12	MKM 4590	M16 x 45	G50
		1514-24-24M							-----	---	
50	-32	1513-32-32M	4.00	1.75	73.0	2.874	1.94	2 1/2-12	MKM 4591	M16 X 45	G60
		1514-32-32M							-----	---	

1. Order Separately. 2. SAE has a lower rating on the St. Thd. Fitting than the flange pad.
Check the fitting manufacturer for details.

©Copyright March 2008

NOTE: DIMENSIONS ARE IN INCHES UNLESS OTHERWISE NOTED.