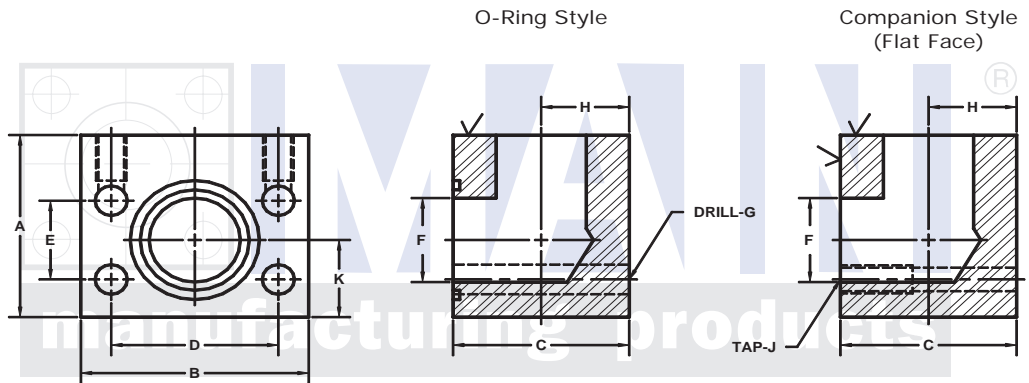
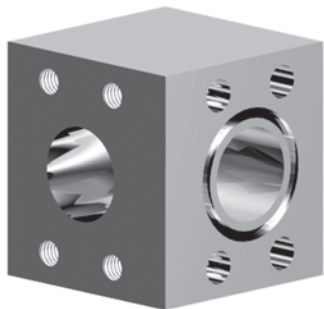


FLANGED ELBOW FLANGES

SAE BOLT PATTERN		61 SERIES														
FLANGE SIZE	FLANGE SIZE	PART NUMBER	A	B	C	D	E	F	G	H	J	K	MOUNTING KIT®			WT
													PART NO.	BOLT SIZE	O-RING	
1/2	1/2	1181-08-08	2.00	2.12	2.00	1.500	.688	.50	.34	.91	-----	.78	MK 575	5/16-18 x 2 1/2	210	2.0
		1182-08-08							5/16-18							
3/4	3/4	1181-12-12	2.50	2.62	2.25	1.875	.875	.75	.41	1.03	-----	1.03	MK 576	3/8-16 x 3	214	3.5
		1182-12-12							3/8-16							
1	1	1181-16-16	2.50	2.82	2.50	2.062	1.031	1.00	.41	1.16	-----	1.09	MK 577	3/8-16 x 3 1/4	219	4.0
		1182-16-16							3/8-16							
1 1/4	1 1/4	1181-20-20	3.00	3.19	3.00	2.312	1.188	1.25	.47	1.44	-----	1.31	MK 591	7/16-14 x 4	222	6.4
		1182-20-20							7/16-14							
1 1/2	1 1/2	1181-24-24	3.50	3.75	3.50	2.750	1.406	1.50	.53	1.62	-----	1.62	MK 579	1/2-13 x 4 1/2	225	10.7
		1182-24-24							1/2-13							
2	2	1181-32-32	4.00	4.00	4.00	3.062	1.688	1.94	.53	1.91	-----	1.91	MK 592	1/2-13 x 5	228	13.6
		1182-32-32							1/2-13							
2 1/2 ^②	2 1/2	1181-40-40	4.50	4.50	4.50	3.500	2.000	2.44	.53	2.14	-----	2.25	MK 593	1/2-13 x 5 1/2	232	18.3
		1182-40-40							1/2-13							
3 ^③	3	1181-48-48	5.50	5.31	5.50	4.188	2.438	2.94	.66	2.58	-----	2.75	MK 594	5/8-11 x 6 1/2	237	31.7
		1182-48-48							5/8-11							
3 1/2 ^④	3 1/2	1181-56-56	6.00	6.00	6.00	4.750	2.750	3.44	.66	3.00	-----	3.00	MK 1589	5/8-11 x 7	241	45.0
		1182-56-56							5/8-11							
4 ^④	4	1181-64-64	6.00	6.38	6.00	5.125	3.062	3.94	.66	2.81	-----	3.00	MK 550	5/8-11 x 7	245	40.6
		1182-64-64							5/8-11							
5 ^④	5	1181-80-80														
		1182-80-80														



Model 1181 / 1183

Model 1182 / 1184

3181 TRI-PARK DR. GRAND BLANC, MI 48439 800-521-7918 810-953-1380 FAX 810-953-1385 INFO@MAINMFG.COM

SAE BOLT PATTERN		62 SERIES														
FLANGE SIZE	FLANGE SIZE	PART NUMBER	A	B	C	D	E	F	G	H	J	K	MOUNTING KIT®			WT
													PART NO.	BOLT SIZE	O-RING	
1/2	1/2	1183-08-08	2.00	2.22	2.00	1.594	.718	.50	.34	.94	-----	.81	MK 575	5/16-18 x 2 1/2	210	2.0
		1184-08-08							5/16-18							
3/4	3/4	1183-12-12	2.50	2.81	2.50	2.000	.937	.75	.41	1.19	-----	1.06	MK 595	3/8-16 x 3 1/4	214	4.3
		1184-12-12							3/8-16							
1	1	1183-16-16	3.00	3.19	3.00	2.250	1.093	1.00	.47	1.38	-----	1.38	MK 596	7/16-14 x 4	219	7.0
		1184-16-16							7/16-14							
1 1/4	1 1/4	1183-20-20	3.50	3.75	3.50	2.625	1.250	1.25	.53	1.62	-----	1.41	MK 4565	1/2-13 x 4 1/2	222	10.8
		1184-20-20							1/2-13							
1 1/2	1 1/2	1183-24-24	4.00	4.50	4.00	3.125	1.437	1.50	.66	1.88	-----	1.75	MK 597	5/8-11 x 5	225	16.6
		1184-24-24							5/8-11							
2	2	1183-32-32	5.00	5.25	5.00	3.812	1.750	1.94	.78	2.25	-----	2.50	MK 598	3/4-10 x 6	228	29.7
		1184-32-32							3/4-10							
2 1/2 ^⑤	2 1/2	1183-40-40	6.00	7.00	5.00	4.875	2.312	2.44	.94	2.50	-----	2.50	MK 1596	7/8-9 x 6 1/2	232	47.9
		1184-40-40							7/8-9							
3 ^⑤	3	1183-48-48	7.00	8.50	6.00	6.000	2.812	2.94	1.19	3.00	-----	3.00	MK 2758	1 1/8-7 x 8	237	85.0
		1184-48-48							1 1/8-7							

① Order Separately ② 2500 PSI Max ③ 2000 PSI Max ④ 500 PSI Max ⑤ Not Included in SAE J518 specifications