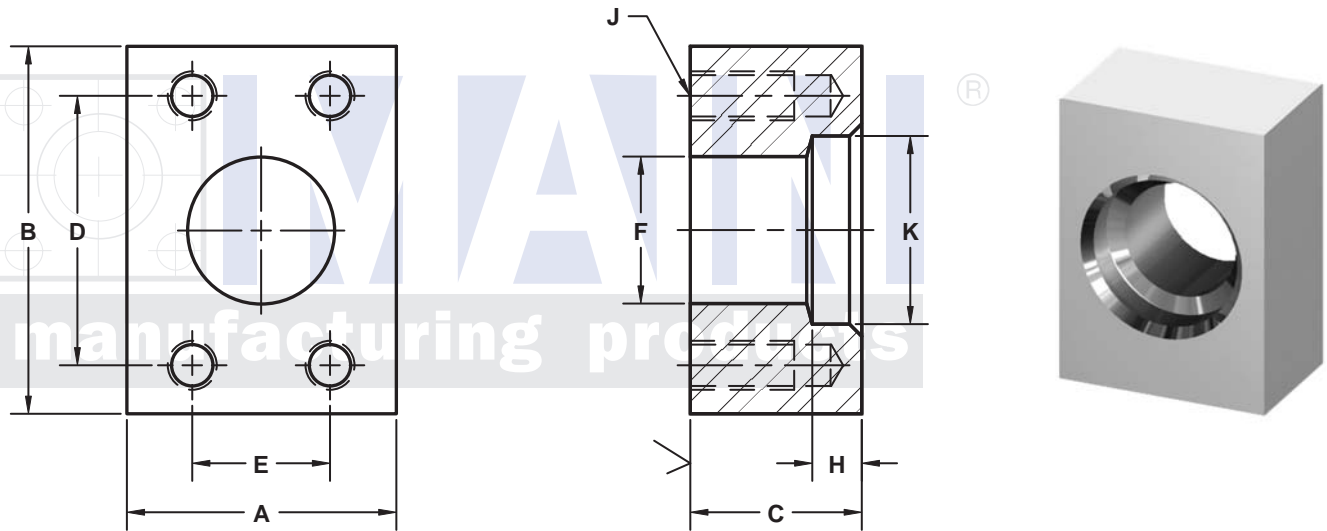


# 'MAIN' SOCKET WELD PIPE RESERVOIR ADAPTERS

SAE BOLT PATTERN			61 SERIES									
FLANGE SIZE	PIPE SIZE	PART NUMBER	A	B	C	D	E	F	H	J	K	WT
1/2	1/2	1563-08-08	1.50	2.12	1.50	1.500	.688	.50	.38	5/16-18	.860	1.2
3/4	3/4	1563-12-12	1.75	2.62	1.50	1.875	.875	.75	.50	3/8-16	1.070	1.6
1	1	1563-16-16	2.00	2.82	1.50	2.062	1.031	1.00	.50	3/8-16	1.335	1.9
1 1/4	1 1/4	1563-20-20	2.50	3.19	1.75	2.312	1.188	1.25	.50	7/16-14	1.680	3.0
1 1/2	1 1/2	1563-24-24	2.75	3.75	1.75	2.750	1.406	1.50	.50	1/2-13	1.920	3.7
2	2	1563-32-32	3.25	4.00	1.75	3.062	1.688	1.94	.62	1/2-13	2.411	4.3
2 1/2 <sup>①</sup>	2 1/2	1563-40-40	4.00	4.50	2.00	3.500	2.000	2.44	.75	1/2-13	2.911	6.8
3 <sup>②</sup>	3	1563-48-48	4.50	5.31	2.25	4.188	2.438	2.94	.75	5/8-11	3.540	9.8



3181 TRI-PARK DR. GRAND BLANC, MI 48439 800-521-7918 810-953-1380 FAX 810-953-1385 INFO@MAINMFG.COM

SAE BOLT PATTERN			62 SERIES									
FLANGE SIZE	PIPE SIZE	PART NUMBER	A	B	C	D	E	F	H	J	K	WT
1/2	1/2	1564-08-08	1.75	2.22	1.50	1.594	.718	.50	.50	5/16-18	.860	1.4
3/4	3/4	1564-12-12	2.00	2.81	1.75	2.000	.937	.75	.50	3/8-16	1.070	2.4
1	1	1564-16-16	2.25	3.19	1.75	2.250	1.093	1.00	.50	7/16-14	1.335	2.9
1 1/4	1 1/4	1564-20-20	2.75	3.75	1.75	2.625	1.250	1.25	.50	1/2-13	1.680	4.1
1 1/2	1 1/2	1564-24-24	3.25	4.50	2.25	3.125	1.437	1.50	.50	5/8-11	1.920	7.6
2	2	1564-32-32	4.00	5.25	2.50	3.812	1.750	1.94	.62	3/4-10	2.411	11.7

① 2500 PSI Max    ② 2000 PSI Max