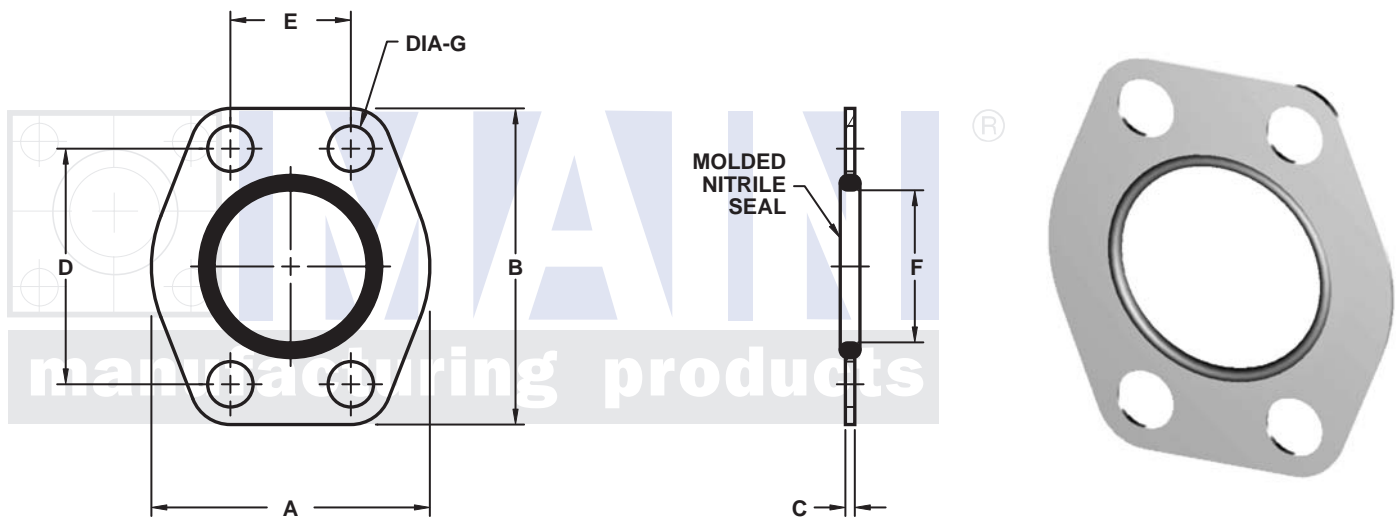


# CONNECTOR PLATES WITH SEAL

SAE BOLT PATTERN			61 SERIES								
FLANGE SIZE	PIPE SIZE	PART NUMBER	A	B	C	D	E	F	G		
3/4	NA	1277-12-12	2.06	2.56	.10	1.875	.875	.99	.43		
1	NA	1277-16-16	2.31	2.75	.10	2.062	1.031	1.31	.43		
1 1/4	NA	1277-20-20	2.88	3.12	.10	2.312	1.188	1.50	.47		
1 1/2	NA	1277-24-24	3.25	3.69	.10	2.750	1.406	1.88	.53		
2	NA	1277-32-32	3.81	4.00	.10	3.062	1.688	2.25	.53		
2 1/2	NA	1277-40-40	THIS SIZE IS NOT AVAILABLE AT THIS TIME								
3	NA	1277-48-48	5.16	5.31	.10	4.188	2.438	3.36	.69		



3181 TRI-PARK DR. GRAND BLANC, MI 48439 800-521-7918 810-953-1380 FAX 810-953-1385 INFO@MAINMFG.COM

SAE BOLT PATTERN			62 SERIES								
FLANGE SIZE	PIPE SIZE	PART NUMBER	A	B	C	D	E	F	G		
3/4	NA	1278-12-12	2.38	2.81	.10	2.000	.937	.99	.43		
1	NA	1278-16-16	THIS SIZE IS NOT AVAILABLE AT THIS TIME								
1 1/4	NA	1278-20-20	3.06	3.75	.10	2.625	1.250	1.50	.53		
1 1/2	NA	1278-24-24	3.75	4.44	.10	3.125	1.437	1.88	.69		
2	NA	1278-32-32	4.50	5.25	.10	3.812	1.750	2.25	.86		