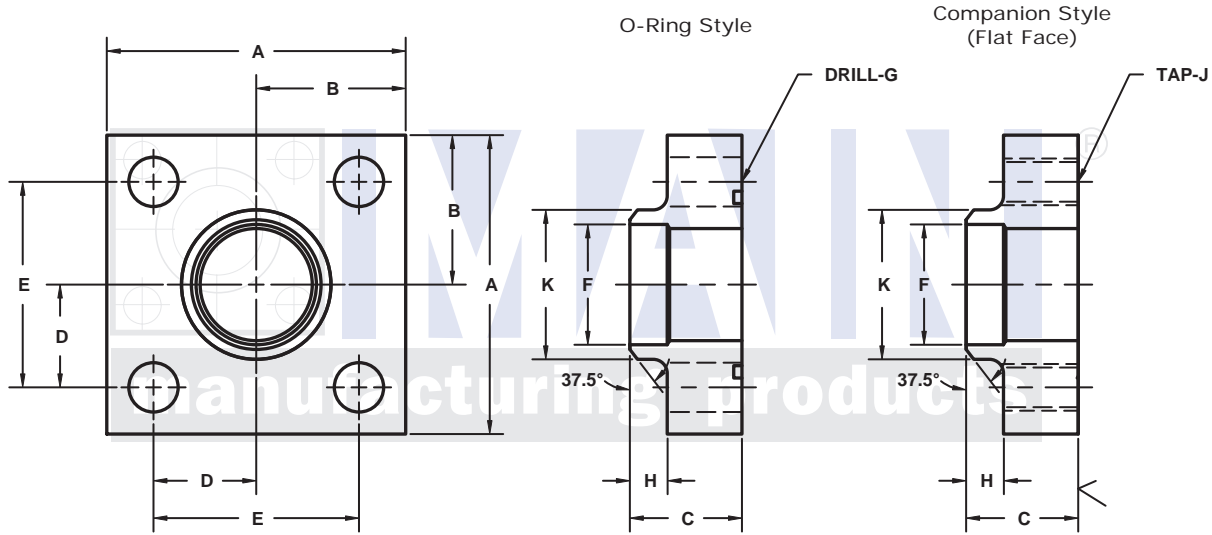
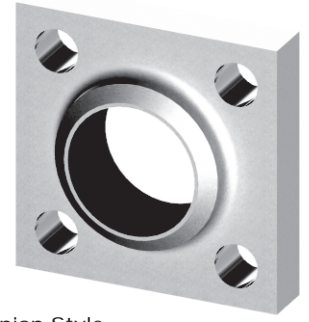
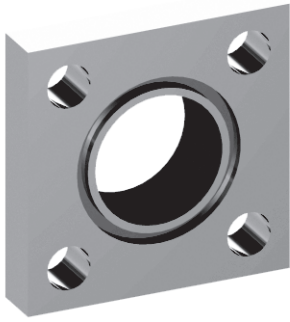


# 4 BOLT SQUARE, BUTT WELD IN-LINE FLANGES

## 3000 SERIES For Schedule 40 Pipe ®



Model 1395

Model 1396

3181 TRI-PARK DR. GRAND BLANC, MI 48439 800-521-7918 810-953-1380 FAX 810-953-1385 INFO@MAINMFG.COM

| FLANGE SIZE | PIPE SIZE | PART NUMBER | A     | B    | C    | D     | E     | F    | G     |     | H    | K       | MOUNTING KIT®  |           |        | WT  |
|-------------|-----------|-------------|-------|------|------|-------|-------|------|-------|-----|------|---------|----------------|-----------|--------|-----|
|             |           |             |       |      |      |       |       |      | J     |     |      |         | PART NO.       | BOLT SIZE | O-RING |     |
| 1/2         | 1/2       | 1395-08-08  | 2.25  | 1.12 | 1.25 | .719  | 1.438 | .62  | .41   | .38 | .88  | MK 528  | 3/8-16 x 1 3/4 | 216       | 1.2    |     |
|             |           | 3/8-16      |       |      |      |       |       |      | ----- |     |      |         |                |           |        | --- |
| 3/4         | 3/4       | 1395-12-12  | 2.25  | 1.12 | 1.25 | .719  | 1.438 | .82  | .41   | .38 | 1.12 | MK 528  | 3/8-16 x 1 3/4 | 216       | 1.1    |     |
|             |           | 3/8-16      |       |      |      |       |       |      | ----- |     |      |         |                |           |        | --- |
| 1           | 1         | 1395-16-16  | 3.00  | 1.50 | 1.25 | 1.000 | 2.000 | 1.04 | .53   | .38 | 1.38 | MK 529  | 1/2-13 x 1 3/4 | 222       | 2.2    |     |
|             |           | 1/2-13      |       |      |      |       |       |      | ----- |     |      |         |                |           |        | --- |
| 1 1/4       | 1 1/4     | 1395-20-20  | 3.00  | 1.50 | 1.25 | 1.000 | 2.000 | 1.38 | .53   | .38 | 1.75 | MK 529  | 1/2-13 x 1 3/4 | 222       | 2.0    |     |
|             |           | 1/2-13      |       |      |      |       |       |      | ----- |     |      |         |                |           |        | --- |
| 1 1/2       | 1 1/4     | 1395-24-20  | 4.00  | 2.00 | 1.50 | 1.375 | 2.750 | 1.38 | .66   | .50 | 1.75 | MK 581  | 5/8-11 x 2     | 228       | 4.5    |     |
|             |           | 5/8-11      |       |      |      |       |       |      | ----- |     |      |         |                |           |        | --- |
| 1 1/2       | 1 1/2     | 1395-24-24  | 4.00  | 2.00 | 1.50 | 1.375 | 2.750 | 1.61 | .66   | .50 | 2.00 | MK 581  | 5/8-11 x 2     | 228       | 4.1    |     |
|             |           | 5/8-11      |       |      |      |       |       |      | ----- |     |      |         |                |           |        | --- |
| 2           | 2         | 1395-32-32  | 4.00  | 2.00 | 1.50 | 1.375 | 2.750 | 2.06 | .66   | .50 | 2.50 | MK 581  | 5/8-11 x 2     | 228       | 3.8    |     |
|             |           | 5/8-11      |       |      |      |       |       |      | ----- |     |      |         |                |           |        | --- |
| 2 1/2       | 2         | 1395-40-32  | 5.50  | 2.75 | 1.75 | 1.875 | 3.750 | 2.06 | .94   | .50 | 2.50 | MK 1519 | 7/8-9 x 2 1/2  | 236       | 9.1    |     |
|             |           | 7/8-9       |       |      |      |       |       |      | ----- |     |      |         |                |           |        | --- |
| 2 1/2       | 2 1/2     | 1395-40-40  | 5.50  | 2.75 | 1.75 | 1.875 | 3.750 | 2.47 | .94   | .50 | 3.00 | MK 1519 | 7/8-9 x 2 1/2  | 236       | 8.6    |     |
|             |           | 7/8-9       |       |      |      |       |       |      | ----- |     |      |         |                |           |        | --- |
| 3           | 3         | 1395-48-48  | 5.50  | 2.75 | 1.75 | 1.875 | 3.750 | 3.06 | .94   | .50 | 3.50 | MK 1519 | 7/8-9 x 2 1/2  | 236       | 8.1    |     |
|             |           | 7/8-9       |       |      |      |       |       |      | ----- |     |      |         |                |           |        | --- |
| 3 1/2       | 3 1/2     | 1395-56-56  | 6.00  | 3.00 | 1.75 | 2.125 | 4.250 | 3.54 | .94   | .50 | 4.00 | MK 1577 | 7/8-9 x 2 1/2  | 240       | 9.4    |     |
|             |           | 7/8-9       |       |      |      |       |       |      | ----- |     |      |         |                |           |        | --- |
| 4           | 4         | 1395-64-64  | 7.00  | 3.50 | 2.00 | 2.500 | 5.000 | 4.02 | 1.06  | .50 | 4.50 | MK 1578 | 1-8 x 3        | 347       | 15.0   |     |
|             |           | 1-8         |       |      |      |       |       |      | ----- |     |      |         |                |           |        | --- |
| 5           | 5         | 1395-80-80  | 8.00  | 4.00 | 2.50 | 3.000 | 6.000 | 5.04 | 1.06  | .50 | 5.62 | MK 1579 | 1-8 x 3 1/2    | 355       | 24.5   |     |
|             |           | 1-8         |       |      |      |       |       |      | ----- |     |      |         |                |           |        | --- |
| 6           | 6         | 1395-96-96  | 10.00 | 5.00 | 2.50 | 3.500 | 7.000 | 6.06 | 1.31  | .50 | 6.75 | MK 5533 | 1 1/4-7 x 4    | 362       | 40.2   |     |
|             |           | 1 1/4-7     |       |      |      |       |       |      | ----- |     |      |         |                |           |        | --- |

① Order Separately ② Other Schedules Available Include: Schedules 80, 160 and XXS