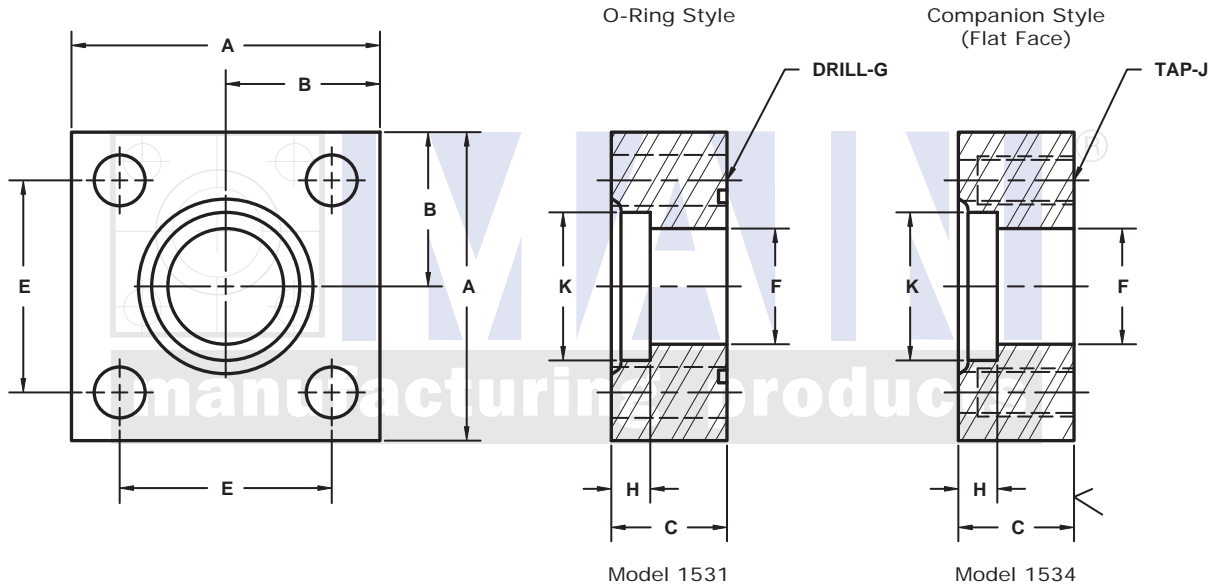


JIS B 2291, 210K, SOCKET WELD IN-LINE PIPE FLANGES

TYPE SHA & SHB(TAPPED)

*For American Pipe
and O-Ring*



3181 TRI-PARK DR. GRAND BLANC, MI 48439 800-521-7918 810-953-1380 FAX 810-953-1385 INFO@MAINMFG.COM

FLANGE SIZE	PIPE SIZE	PART NUMBER	A	B	C	Emm	E	F	Gmm		H	K	MOUNTING KIT [Ⓞ]			WT
									Jmm				PART NO.	BOLT SIZE	O-RING	
15	15	1531-08-08M	2.50	1.25	.87	40.0	1.574	.63	11.0	.50	.860	MKM	M10 x 40	213	1.3	
		M10x1.5							---							
20	15	1531-12-08M	2.75	1.38	.87	45.0	1.772	.63	11.0	.50	.860	MKM	M10 x 40	216	1.6	
		M10x1.5							---							
20	20	1531-12-12M	2.75	1.38	.87	45.0	1.772	.81	11.0	.50	1.070	MKM	M10 x 40	216	1.5	
		M10x1.5							---							
25	20	1531-16-12M	3.25	1.62	1.10	53.0	2.086	.81	13.0	.50	1.070	MKM 1504	M12 x 50	219	2.8	
		M12x1.75							---							
25	25	1531-16-16M	3.25	1.62	1.10	53.0	2.086	.98	13.0	.50	1.335	MKM 1504	M12 x 50	219	2.5	
		M12x1.75							---							
32	25	1531-20-16M	3.50	1.75	1.10	63.0	2.480	.98	13.0	.50	1.335	MKM 1502	M12 x 50	222	3.1	
		M12x1.75							---							
32	32	1531-20-20M	3.50	1.75	1.10	63.0	2.480	1.24	13.0	.50	1.680	MKM 1502	M12 x 50	222	2.9	
		M12x1.75							---							
40	32	1531-24-20M	4.00	2.00	1.38	70.0	2.756	1.24	18.0	.50	1.680	MKM 515	M16 x 60	225	5.0	
		M16x2							---							
40	40	1531-24-24M	4.00	2.00	1.38	70.0	2.756	1.48	18.0	.62	1.920	MKM 515	M16 x 60	225	4.7	
		M16x2							---							
50	40	1531-32-24M	4.50	2.25	1.38	80.0	3.150	1.48	18.0	.62	1.920	MKM	M16 x 60	228	5.8	
		M16x2							---							
50	50	1531-32-32M	4.50	2.25	1.38	80.0	3.150	1.87	18.0	.62	2.411	MKM	M16 x 60	228	5.7	
		M16x2							---							
65	50	1531-40-32M	5.50	2.75	1.75	100.0	3.937	1.87	22.0	.62	2.411	MKM 5594	M20 x 75	233	10.7	
		M20x2.5							---							
65	65	1531-40-40M	5.50	2.75	1.75	100.0	3.937	2.36	22.0	.75	2.911	MKM 5594	M20 x 75	233	10.4	
		M20x2.5							---							
80	80	1531-48-48M	6.25	3.12	1.75	112.0	4.409	2.80	24.0	.75	3.540	MKM	M22 x 80	236	13.0	
		M22x2.5							---							

Ⓞ Order Separately

NOTE: DIMENSIONS ARE IN INCHES UNLESS OTHERWISE NOTED.

© Copyright Main Mfg 2012